



## Main

|                           |                       |
|---------------------------|-----------------------|
| Range of Product          | Modicon TM5           |
| Product or Component Type | Discrete input module |
| Discrete input number     | 6                     |
| Discrete input voltage    | 24 V                  |

## Complementary

|                                |   |
|--------------------------------|---|
| Range Compatibility            | Modicon LMC058<br>PacDrive LMC motion controller<br>Modicon M258                                    |
| Product Compatibility          | Logic controller<br>PacDrive LMC Eco<br>PacDrive LMC Pro 2<br>Motion controller<br>PacDrive LMC Pro |
| Discrete input voltage type    | DC  |
| Input voltage limits           | 20.4...28.8 V   |
| Discrete input logic           | Sink  |
| Discrete input current         | 3.75 mA   |
| Input impedance                | 6.4 kOhm  |
| Color                          | White   |
| Voltage state 0 guaranteed     | <= 5 V  |
| Voltage state 1 guaranteed     | >= 15 V   |
| Input filtering                | <= 25 ms configurable by software<br><= 100 ms hardware   |
| Isolation                      | 500 Vrms AC insulation between channel and bus<br>No insulation between channels                    |
| Current consumption            | 30 mA 5 V DC bus<br>37 mA 24 V DC all inputs On   |
| Maximum power dissipation in W | 1.03 W  |
| Local signalling               | 1 LED green power supply<br>1 LED red power supply<br>6 LEDs green input status                     |
| Electrical connection          | 2 wires   |
| Marking                        | CE  |
| Net Weight                     | 0.06 lb(US) (0.025 kg)  |

The information provided in this documentation contains general descriptions and/or technical characteristics of the performance of the products contained herein. This documentation is not intended as a substitute for and is not to be used for determining suitability or reliability of these products for specific user applications. It is the duty of any such user or integrator to perform the appropriate and complete risk analysis, evaluation and testing of the products with respect to the relevant specific application or use thereof. Neither Schneider Electric Industries SAS nor any of its affiliates or subsidiaries shall be responsible or liable for misuse of the information contained herein.

## Environment

|                                       |   |
|---------------------------------------|---|
| Standards                             | IEC 61131-2<br>UL 508<br>CSA C22.2 No 213<br>CSA C22.2 No 142   |
| Product Certifications                | C-tick<br>GOST-R<br>CSA<br>cULus  |
| Ambient air temperature for operation | 14...131 °F (-10...55 °C) without derating horizontal installation)<br>14...140 °F (-10...60 °C) with derating factor horizontal installation)<br>14...122 °F (-10...50 °C) vertical installation)  |
| Ambient Air Temperature for Storage   | -40...158 °F (-40...70 °C)  |
| Relative Humidity                     | 5...95 % without condensation   |
| IP degree of protection               | IP20IEC 61131-2   |
| Pollution degree                      | 2 IEC 60664   |
| Operating altitude                    | 0...6561.68 ft (0...2000 m)   |
| Storage altitude                      | 0.00...9842.52 ft (0...3000 m)  |
| Vibration resistance                  | 1 gn 8.4...150 Hz DIN rail<br>3.5 mm 5...8.4 Hz DIN rail  |
| Shock resistance                      | 15 gn 11 ms   |
| Electromagnetic compatibility         | Electrostatic discharge immunity test, 4 kV on contact EN/IEC 61000-4-2<br>Electrostatic discharge immunity test, 8 kV in air EN/IEC 61000-4-2<br>Susceptibility to electromagnetic fields, 1 V/m 2...2.7 GHz EN/IEC 61000-4-3<br>Susceptibility to electromagnetic fields, 10 V/m 80...2000 MHz EN/IEC 61000-4-3<br>Electrical fast transient/burst immunity test, 1 kV I/O EN/IEC 61000-4-4<br>Electrical fast transient/burst immunity test, 1 kV shielded cable EN/IEC 61000-4-4<br>Electrical fast transient/burst immunity test, 2 kV power lines EN/IEC 61000-4-4<br>1.2/50 µs shock waves immunity test, 0.5 kV differential mode EN/IEC 61000-4-5<br>1.2/50 µs shock waves immunity test, 1 kV common mode EN/IEC 61000-4-5<br>Conducted RF disturbances EN/IEC 61000-4-6<br>Conducted and radiated emissions CISPR 11 |



## Ordering and shipping details

|                       |                  |
|-----------------------|------------------|
| Category              | 22532 - M258 PLC |
| Discount Schedule     | PC12             |
| GTIN                  | 3595864074443    |
| Nbr. of units in pkg. | 1                |
| Package weight(Lbs)   | 1.34 oz (38 g)   |
| Returnability         | No               |
| Country of origin     | AT               |

## Packing Units

|                        |                   |
|------------------------|-------------------|
| Unit Type of Package 1 | PCE               |
| Package 1 Height       | 0.75 in (1.9 cm)  |
| Package 1 width        | 2.32 in (5.9 cm)  |
| Package 1 Length       | 4.09 in (10.4 cm) |

## Offer Sustainability

|                           |   |
|---------------------------|---|
| Sustainable offer status  | Green Premium product   |
| California proposition 65 | WARNING: This product can expose you to chemicals including: Lead and lead compounds, which is known to the State of California to cause cancer and birth defects or other reproductive harm. For more information go to <a href="http://www.P65Warnings.ca.gov">www.P65Warnings.ca.gov</a> |
| REACH Regulation          |  <a href="#">REACH Declaration</a>   |
| REACH free of SVHC        | Yes   |
| EU RoHS Directive         | Pro-active compliance (Product out of EU RoHS legal scope)  <a href="#">EU RoHS Declaration</a>  |
| Toxic heavy metal free    | Yes   |

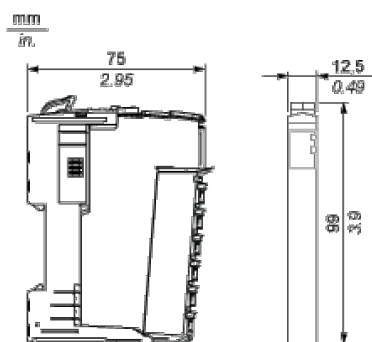
|                             |   |
|-----------------------------|---|
| Mercury free                | Yes   |
| RoHS exemption information  |  Yes   |
| China RoHS Regulation       |  <a href="#">China RoHS Declaration</a>        |
| Environmental Disclosure    |  <a href="#">Product Environmental Profile</a> |
| Circularity Profile         |  <a href="#">End Of Life Information</a>       |
| WEEE                        | The product must be disposed on European Union markets following specific waste collection and never end up in rubbish bins.    |
| PVC free                    | Yes   |
| <b>Contractual warranty</b> |   |
| Warranty                    | 18 months   |

---

TM5 Slice

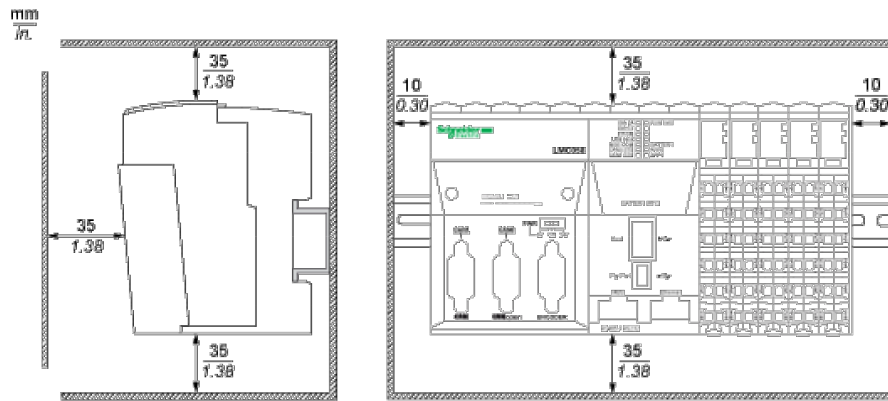
---

Dimensions

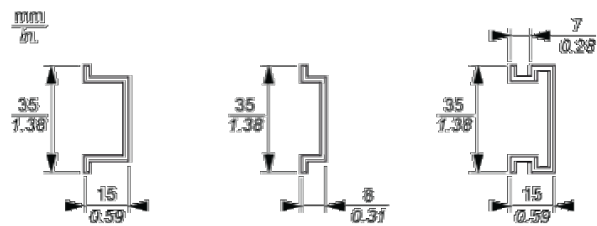


TM5 System

Spacing Requirements



Mounting on a DIN Rail



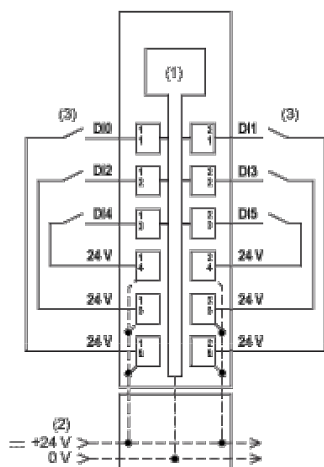
TM5 System Wiring Recommendations

Wire Sizes to Use with the Removable Spring Terminal Blocks

| mm<br>/in       |  |  |  |  |
|-----------------|---|---|---|---|
| mm <sup>2</sup> | 0,08...2,5  | 0,25...2,5  | 0,25...1,5  | 2 x 0,25...2 x 0,75   |
| AWG             | 28...14   | 24...14   | 24...16   | 2 x 24...2 x 18   |

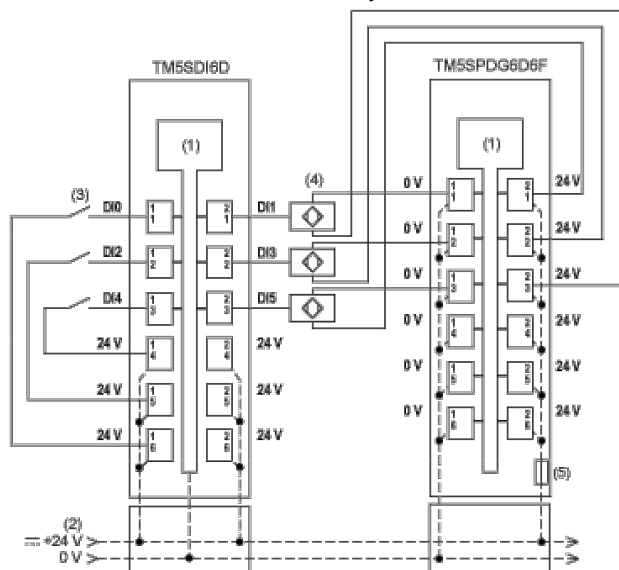
Electronic Module 6DI 24 Vdc Sink 2 Wires

Wiring Diagrams



- (1) Internal electronics
- (2) 24 Vdc I/O power segment integrated into the bus bases
- (3) 2-wire sensor

To connect 3-wire electronic sensors, you can add a TM5SPDG6D6F Common Distribution module:



- (1) Internal electronics
- (2) 24 Vdc I/O power segment integrated into the bus bases
- (3) 2-wire sensor
- (4) 3-wire sensor
- (5) Integrated fuse type T slow-blow 6.3 A 250 V exchangeable