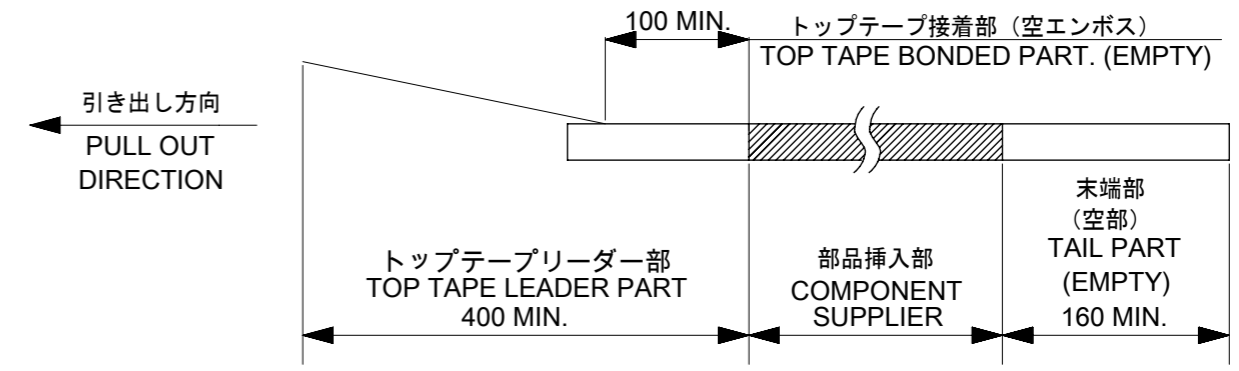


注記 NOTES:

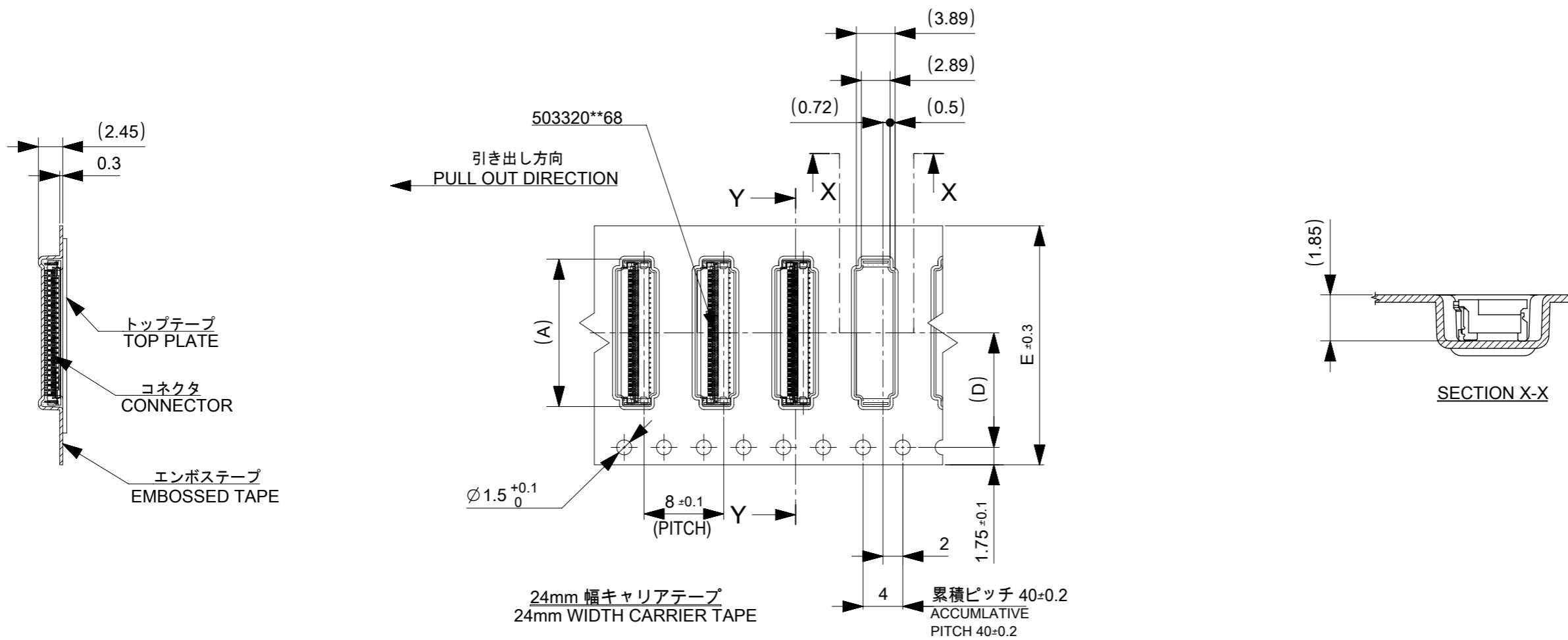
- 製品詳細寸法については図面 5033201000 を参照下さい。  
FOR DETAIL OF CONNECTOR DIMENSIONS, SEE 5033201000
- 梱包数量: 3000 個 / リール  
NUMBER OF CONNECTORS : 3000 PCS/REEL
- リードテープ長さ LEAD TAPE LENGTH



- 材料 MATERIAL  
キャリアテープ (CARRIER TAPE) : ポリスチレン (POLYSTYRENE)  
トップテープ (TOP TAPE) : PET, PE, PEF  
リール (REEL) : ポリスチレン (PS) リサイクル材を含む  
POLYSTYRENE (PS) <RECYCLE MATERIAL CONTAINED>
- ELV & RoHS COMPLIANT

MATERIAL NO. 503320\*\*60

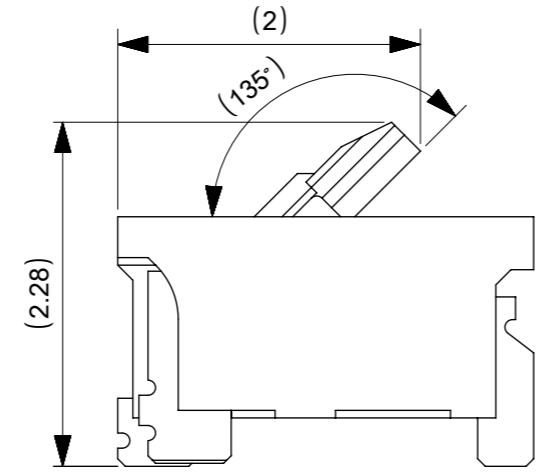
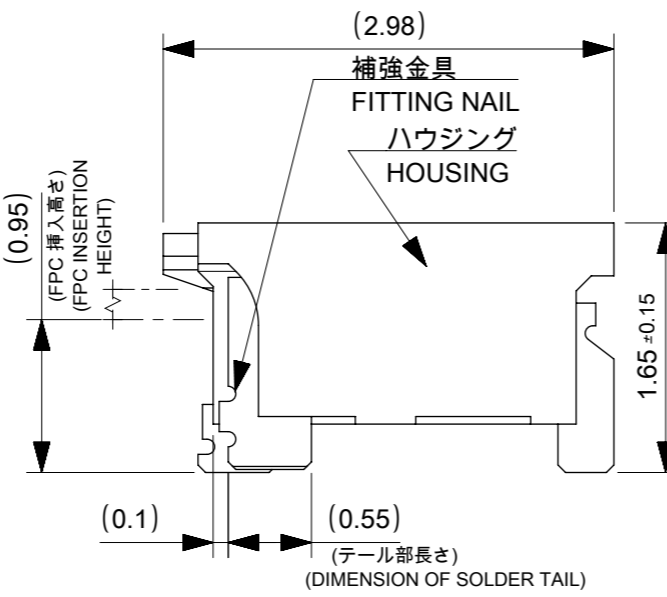
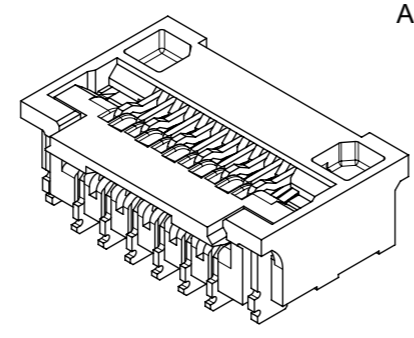
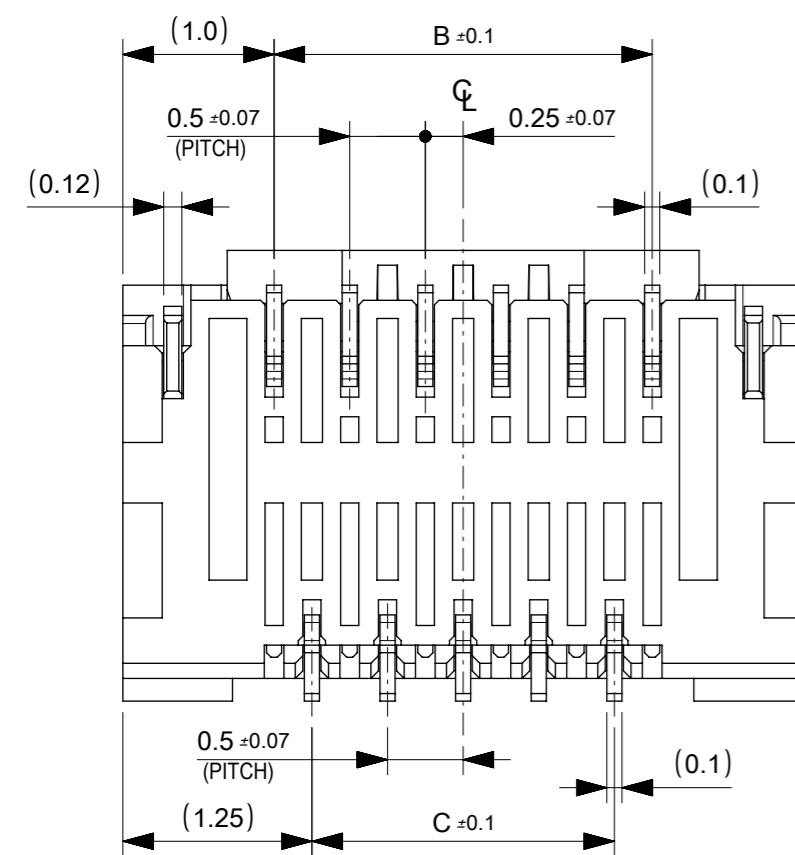
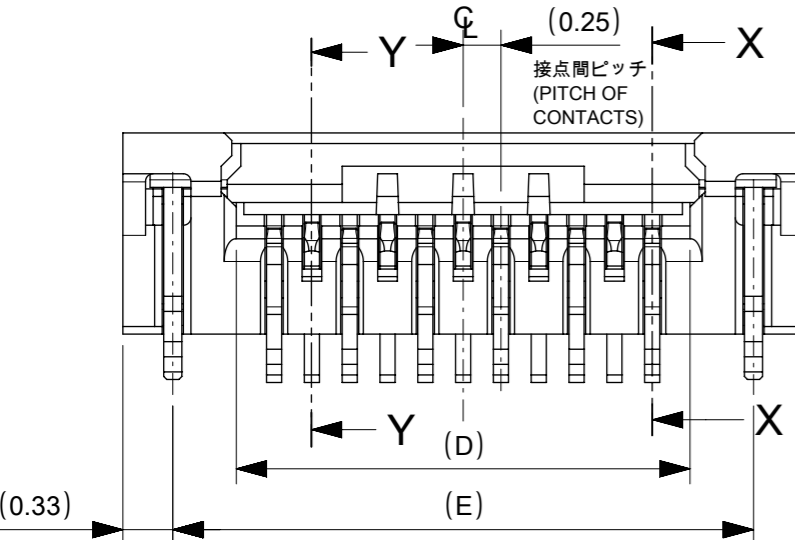
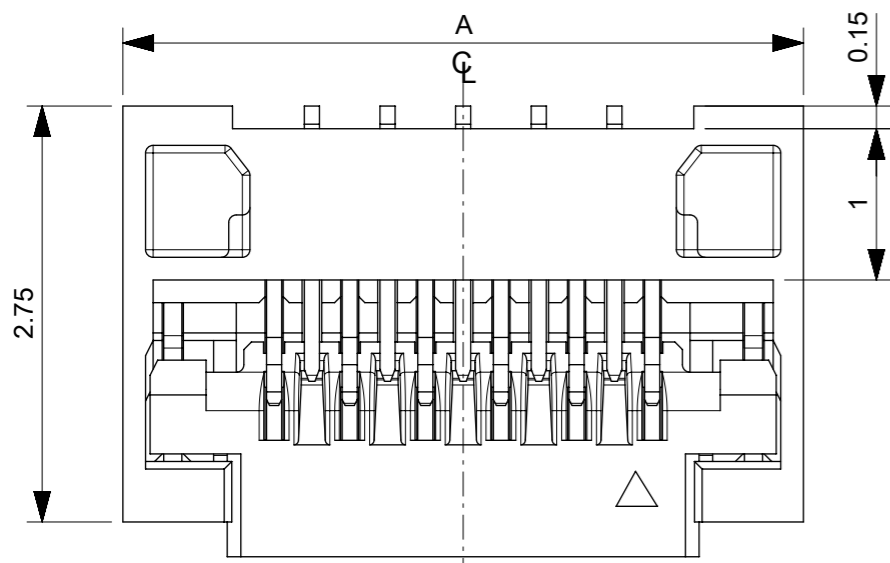
THIS DRAWING CONTAINS INFORMATION THAT IS PROPRIETARY TO MOLEX ELECTRONIC TECHNOLOGIES, LLC AND SHOULD NOT BE USED WITHOUT WRITTEN PERMISSION									
REDRAW	EC NO. 102256	DRWN: VNANDAM	CHK'D: YNOGAWA	APPR: YNOGAWA	2015/12/07	2015/12/24	2015/12/24	GENERAL TOLERANCES (UNLESS SPECIFIED)	
					4 PLACES	±	ANGULAR TOL ± °		DIMENSION UNITS
					3 PLACES	±			mm
					2 PLACES	±			SCALE
					1 PLACE	±			---
					0 PLACES	±			DRWN BY
				DRAFT WHERE APPLICABLE MUST REMAIN WITHIN DIMENSIONS				DATE	SCALE
								VNANDAM	2015/12/07
								CHK'D BY	DATE
								HIIJIMA	
								APPR BY	DATE
								YNOGAWA	2015/12/24
								DRAWING SIZE	THIRD ANGLE PROJECTION
								A3	
			PRODUCT CUSTOMER DRAWING			molex			
			0.25MM PITCH FPC CONN HGT=1.65 HSG ASSY EMBOSSED TAPE PACKAGE						
SERIES		MATERIAL NUMBER		CUSTOMER					
503320		SEE CHART		GENERAL					
DOCUMENT NUMBER			DOC TYPE	DOC PART	SHEET NUMBER				
5033200000			PSD	000	1 OF 2				



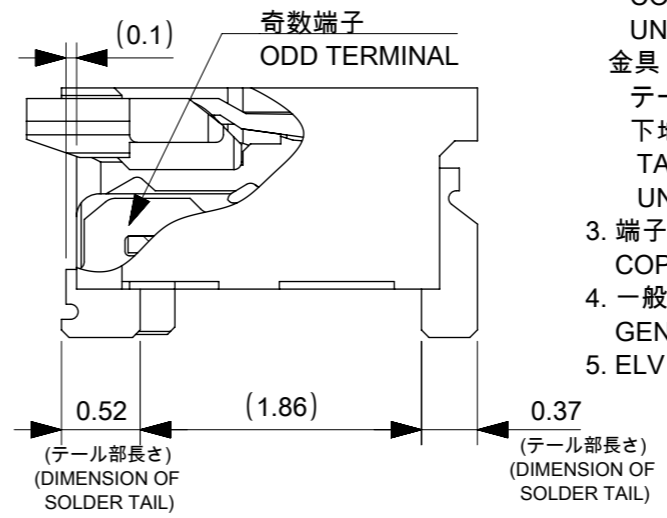
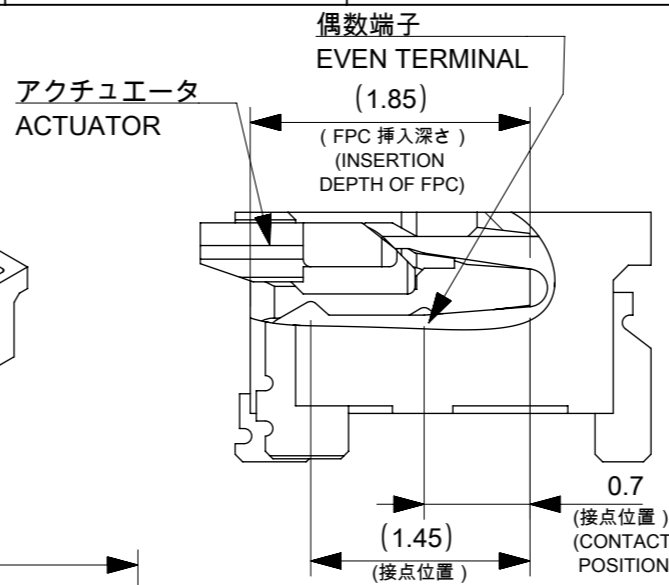
24	11.5	29.4	25.4	12.3	5033204160	41
				11.3	5033203760	37
				8.3	5033202560	25
E キャリアテープ幅 CARRIER TAPE WIDTH		(D)	C	B	(A)	EMBOSSED PACKAGE 極数 オーダー番号 ORDER NO. CKT MATERIAL NO. 503320**60

THIS DRAWING CONTAINS INFORMATION THAT IS PROPRIETARY TO MOLEX ELECTRONIC TECHNOLOGIES, LLC AND SHOULD NOT BE USED WITHOUT WRITTEN PERMISSION

REDRAW EC NO: 102256 DRWN: VNANDAM CHK'D: YNOGAWA APPR: YNOGAWA 2015/12/07 2015/12/24 2015/12/24	GENERAL TOLERANCES (UNLESS SPECIFIED)		DIMENSION UNITS	SCALE				
	ANGULAR TOL ± °		mm	---				
	4 PLACES ±		DRWN BY	DATE		0.25MM PITCH FPC CONN HGT=1.65 HSG ASSY EMBOSSED TAPE PACKAGE		
	3 PLACES ±		VNANDAM	2015/12/07				
	2 PLACES ±		CHK'D BY	DATE		PRODUCT CUSTOMER DRAWING		
	1 PLACE ±		HIIJIMA					
0 PLACES ±		APPR BY	DATE		SERIES	MATERIAL NUMBER	CUSTOMER	
DRAFT WHERE APPLICABLE MUST REMAIN WITHIN DIMENSIONS		YNOGAWA	2015/12/24		503320	SEE CHART	GENERAL	
A		DRAWING SIZE	THIRD ANGLE PROJECTION		DOCUMENT NUMBER	DOC TYPE	DOC PART	SHEET NUMBER
		A3			5033200000	PSD	000	2 OF 2



アクチュエータ開放位置  
ACTUATOR OPENING  
POSITION



注記 NOTES:

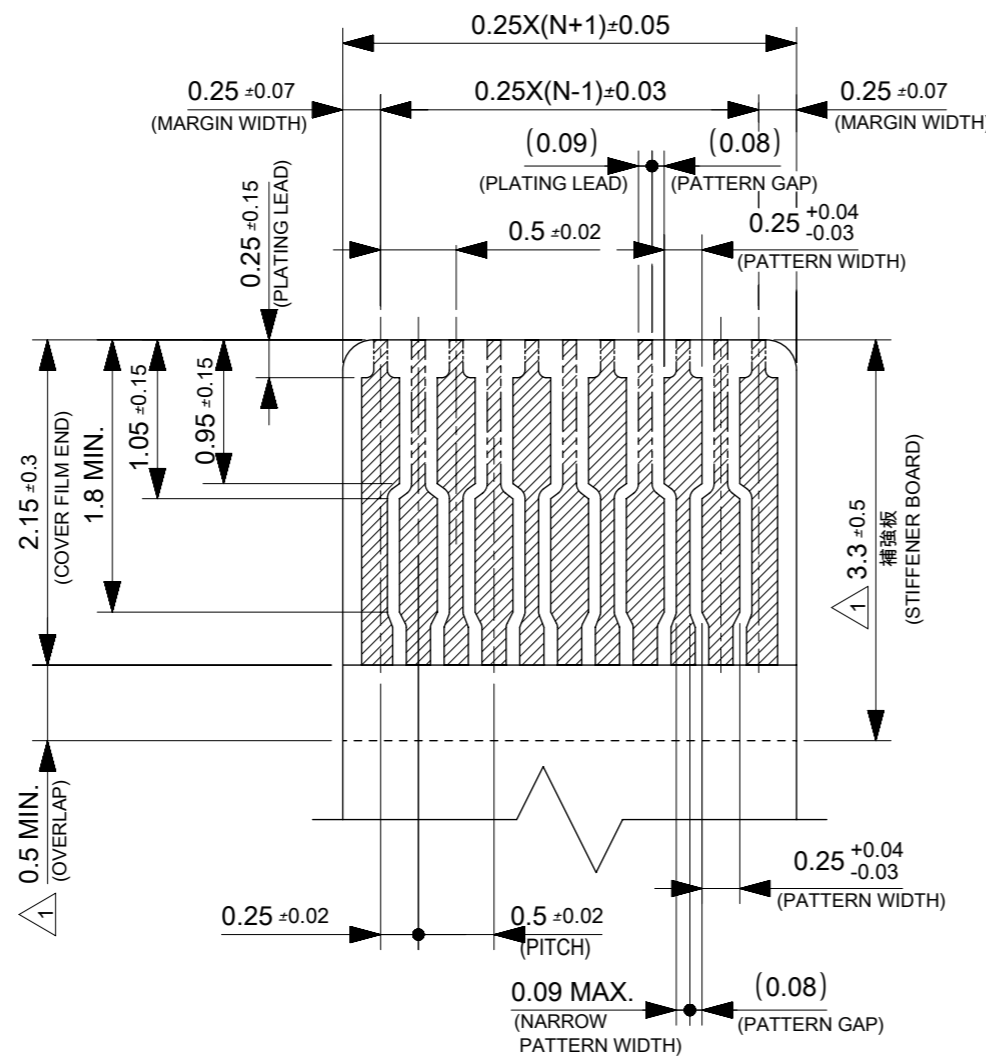
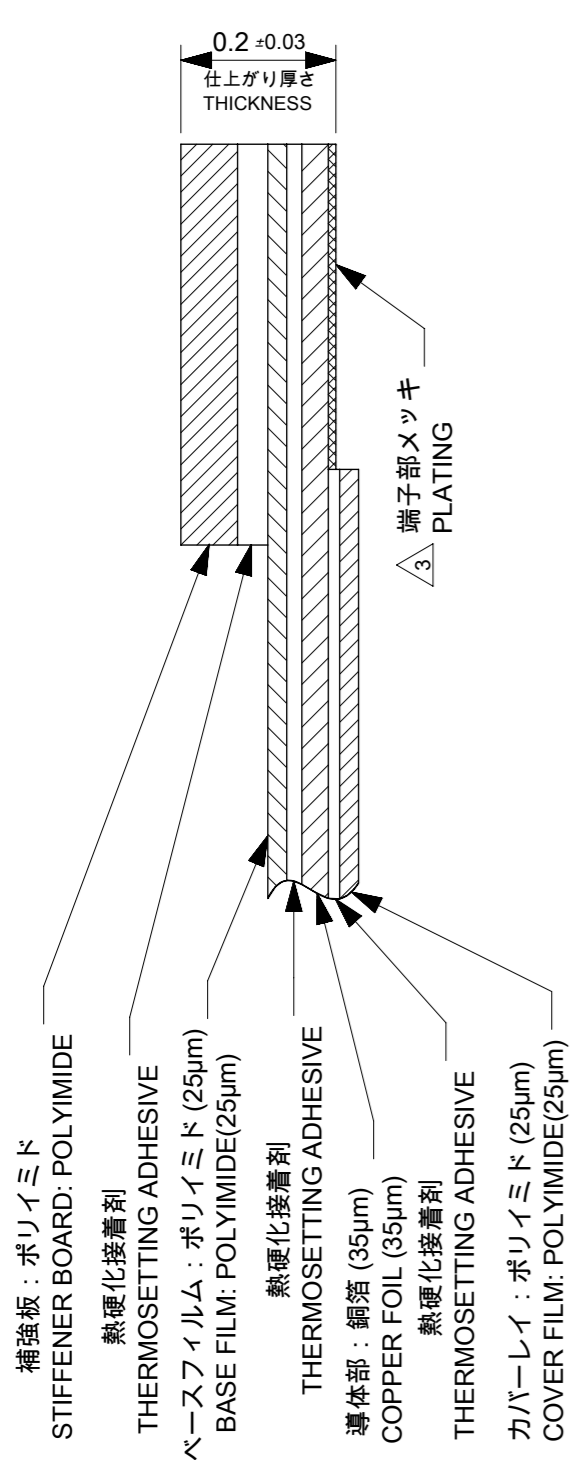
- 使用材料 MATERIALS  
 ハウジング : 液晶ポリマー(ガラス充填、UL94V-0、ベージュ)  
 アクチュエータ : ポリアミド(ガラス充填、UL94HB、黒色)  
 奇数端子 : 銅合金  
 偶数端子 : 銅合金  
 補強金具 : 銅合金  
 HOUSING : LIQUID CRYSTAL POLYMER (GLASS FILLED, BEIGE)  
 ACTUATOR : POLYAMIDE (GLASS FILLED, BLACK)  
 ODD TERMINAL : COPPER ALLOY  
 EVEN TERMINAL : COPPER ALLOY  
 FITTING NAIL : COPPER ALLOY
- メッキ仕様 PLATING  
 端子 TERMINAL  
 テール部 : 部分金メッキ  
 接点部 : 部分金メッキ 0.1µm MIN.  
 下地 : ニッケルメッキ 1.0µm MIN.  
 TAIL AREA : SEPARATED GOLD PLATING  
 CONTACT AREA : SEPARATED GOLD PLATING 0.1µm MIN.  
 UNDER PLATING : NICKEL PLATING 1.0µm MIN.  
 金具 FITTING NAIL  
 テール部 : スズメッキ 0.5µm MIN.  
 下地 : ニッケルメッキ 1.0µm MIN.  
 TAIL AREA : TIN PLATING 0.5µm MIN.  
 UNDER PLATING : NICKEL PLATING 1.0µm MIN.
- 端子、補強金具のコプラナリティーは0.1以下とする  
 COPLANARITY OF SOLDER TAILS AND FITTING NAILS : 0.1MAX.
- 一般公差 : ±0.3  
 GENERAL TOLERANCES : ±0.3
- ELV & RoHS COMPLIANT.

11.34	10.5	9.5	10.0	12.0	5033204160	41
10.34	9.5	8.5	9.0	11.0	5033203760	37
7.34	6.5	5.5	6.0	8.0	5033202560	25
E	D	C	B	A	EMBOSSED PACKAGE	極数
オーダー番号 ORDER NO.						CIRCUITS
CONNECTOR SERIES NO. 503320**68						

THIS DRAWING CONTAINS INFORMATION THAT IS PROPRIETARY TO MOLEX ELECTRONIC TECHNOLOGIES, LLC AND SHOULD NOT BE USED WITHOUT WRITTEN PERMISSION

REDRAW EC NO: 102256 DRWN: VNANDAM CHK'D: YNOGAWA APPR: YNOGAWA	2015/12/07	GENERAL TOLERANCES (UNLESS SPECIFIED)	DIMENSION UNITS	SCALE	
	2015/12/24	ANGULAR TOL ± 1.0 °	mm	20:1	
	2015/12/24	4 PLACES ±	DRWN BY	DATE	
		3 PLACES ±	VNANDAM	2015/12/07	
		2 PLACES ±	CHK'D BY	DATE	
	1 PLACE ±	HIIJIMA			
	0 PLACES ±	APPR BY	DATE		
		YNOGAWA	2015/12/24		
		DRAWING SIZE	THIRD ANGLE PROJECTION		
		A3			
		DRAFT WHERE APPLICABLE MUST REMAIN WITHIN DIMENSIONS			

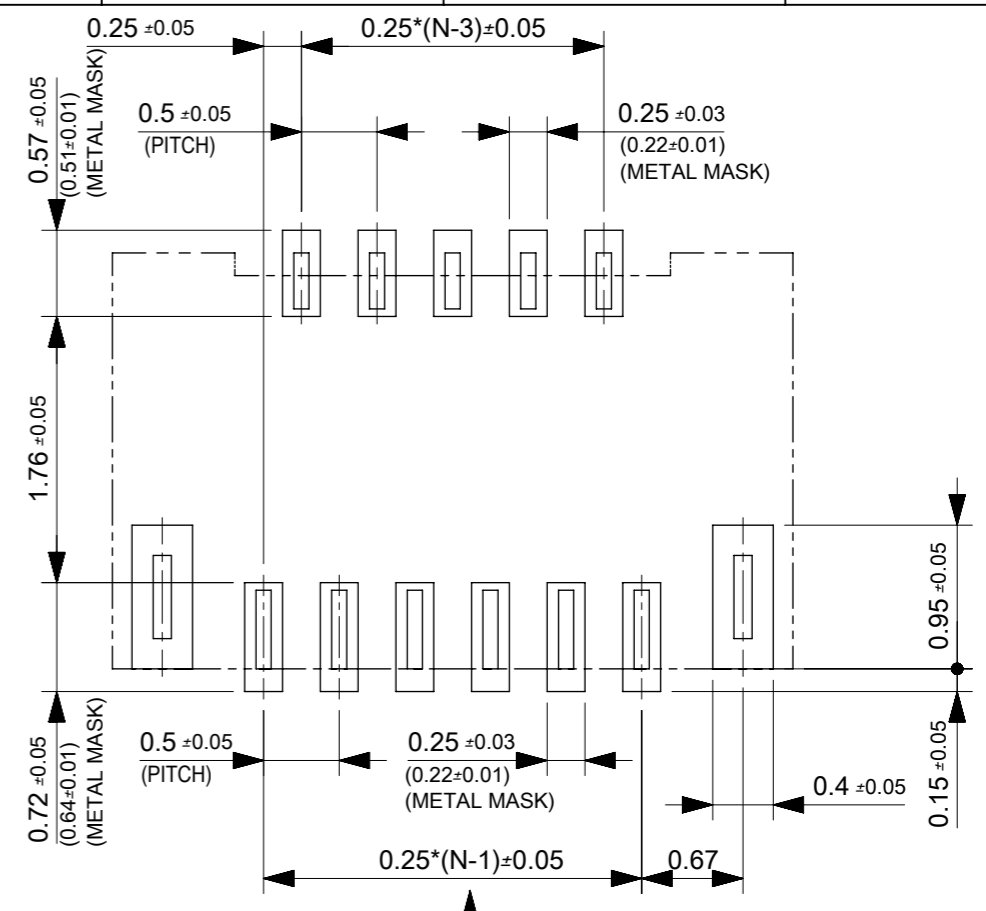
PRODUCT CUSTOMER DRAWING		
SERIES	MATERIAL NUMBER	CUSTOMER
503320	SEE CHART	GENERAL
DOCUMENT NUMBER	DOC TYPE	DOC PART
5033201000	PSD	000
SHEET NUMBER		1 OF 2



適合する FPC 推奨寸法  
 APPLICABLE FPC  
**RECOMMENDED DIMENSION**  
 (端子部仕上がり厚さ : 0.2±0.03)  
 (THICKNESS: 0.2±0.03)

**注記 NOTES:**

- 1 補強板長さが図面通り確保できない場合は、カバーレイと補強板のオーバーラップ寸法を 0.5mm 以上としてください  
 WHEN STIFFENER BOARD DIMENSION CAN NOT SECURE AS DRAWING, PLEASE GIVE THE OVERLAP SIZE OF COVER FILM AND STIFFENER BOARD AS 0.5mm MINIMUM
- 2 推奨マスク厚 : 100µm  
 推奨マスク開口率 : 80%  
 RECOMMEND SCREEN THICKNESS : 100µm  
 RECOMMEND SCREEN OPEN RATIO : 80%
- 3 FPC パターンのメッキ仕様は  
 金メッキ : 0.1µm 以上  
 下地ニッケルメッキ : 2~6µm  
 FPC PATTERN PLATING  
 GOLD PLATING : 0.1µm MINIMUM  
 NICKEL UNDER PLATING : 2~6µm



FPC 挿入側  
 FPC INSERTION SIDE  
 参考基板レイアウト  
**RECOMMENDED PCB  
 PATTERN DIMENSIONS (REF.)**

4. FPC について (ABOUT FPC)  
 抜き方向は、導体側から補強板側を推奨します  
 補強板材質は、ポリイミドを推奨します  
 接着剤は熱硬化接着剤を推奨します  
 なお、接着剤の接点部への付着は導通不良の原因となりますので染み出しがないよう、お願いします  
 RECOMMENDED PUNCHER DIRECTION:  
 FROM CONDUCTOR SIDE TO STIFFENER BOARD SIDE  
 RECOMMENDED MATERIAL:  
 STIFFENER BOARD: POLYIMIDE  
 BONDING AGENT: THERMOSETTING AGENT  
 PLEASE PUT APPROPRIATE AMOUNT OF ADHESIVE ON THE CONTACT AREA BECAUSE THE EXTRA ADHESIVE MAY CAUSE THE DEFECT IN ELECTRICAL CONTINUITY

FPC 構成材料例  
 EXAMPLE OF FPC  
 COMPOSITION MATERIAL

THIS DRAWING CONTAINS INFORMATION THAT IS PROPRIETARY TO MOLEX ELECTRONIC TECHNOLOGIES, LLC AND SHOULD NOT BE USED WITHOUT WRITTEN PERMISSION

REDRAW	2015/12/07	GENERAL TOLERANCES (UNLESS SPECIFIED)		DIMENSION UNITS	SCALE	
	2015/12/24	ANGULAR TOL ± 1.0 °		mm	20:1	
	2015/12/24	4 PLACES ±	DRWN BY	DATE		
		3 PLACES ±	VNANDAM	2015/12/07		
		2 PLACES ±	CHK'D BY	DATE		
	1 PLACE ±	HIIJIMA				
	0 PLACES ±	APPR BY	DATE			
		YNOGAWA	2015/12/24			
		DRAWING SIZE	THIRD ANGLE PROJECTION			
		A3				
DRAFT WHERE APPLICABLE MUST REMAIN WITHIN DIMENSIONS						

PRODUCT CUSTOMER DRAWING			
SERIES	MATERIAL NUMBER	CUSTOMER	
503320	SEE CHART	GENERAL	
DOCUMENT NUMBER	DOC TYPE	DOC PART	SHEET NUMBER
5033201000	PSD	000	2 OF 2