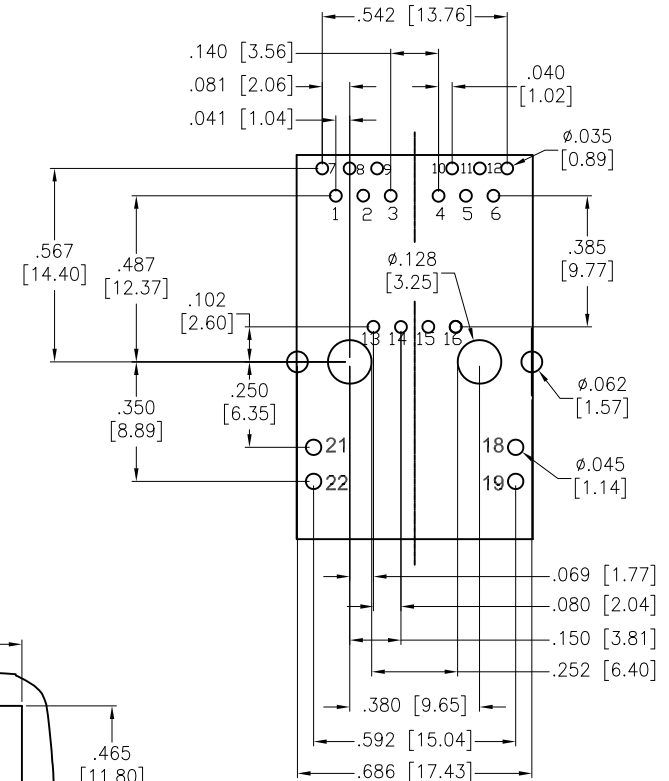
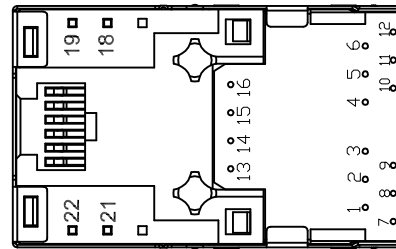
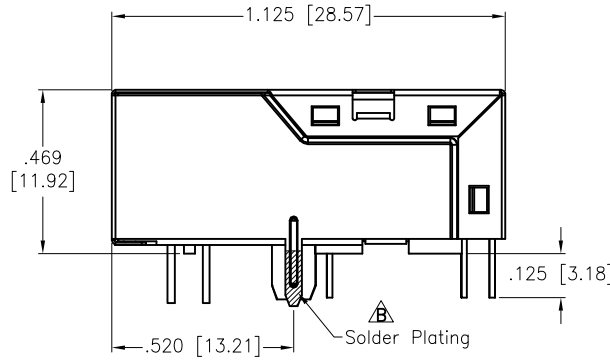
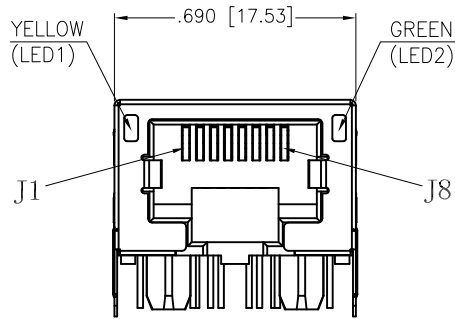


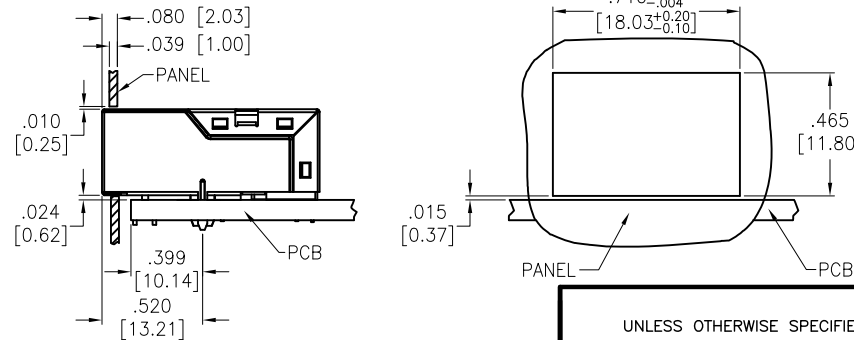
APPROVED: _____
 DATE: _____ TITLE: _____

Rev	AWO #	Description	Date	Appr
-		RELEASED	11/7/19	
A		UPDATE SPEC.	3/22/21	WX/JL
B		ADDED SPEC.	3/7/23	LH/MC



RECOMMENDED PCB LAYOUT

Suggested Panel Opening:



SPECIFICATIONS:

Material:
 Insulator: Thermoplastic, rated UL 94V-0
 Insulator color: Black
 Contacts: Phosphor Bronze
 Shield: Brass, Nickel plated
 Plating:
 Gold over Nickel underplate overall Δ
 or
 Gold over Nickel underplate on contact area,
 Tin over Nickel underplate on solder tails
Electrical:

Environmental:
 Voltage Rating: 150 VAC
 Contact Resistance: 20 mohms max.
 Insulation resistance: 500 Mohms min.
 Dielectric withstanding voltage: 2250 VDC For 1 Minute
 Temperature Rating:
 Operating temperature: -40°C to +85°C
 Lead free, RoHS compliant.



UNLESS OTHERWISE SPECIFIED
 ALL DIMENSIONS ARE INCHES [MM]
 TOLERANCES: EXCEPT AS NOTED
 INCHES HOLES

.X ± .10	Ø.X ± .10
.XX ± .020	Ø.XX ± .015
.XXX ± .015	Ø.XXX ± .010



909 Rahway Avenue,
 Union, NJ 07083
 Phone: 908-687-5000
 Fax: 908-687-5710

APPROVALS		DATE
DRAWN	AY	11/7/19
CHECKED	IW	11/7/19
APPROVED		

TITLE MODULAR JACK, 1 PORT, 8P, FULL SHIELD W/ LED1 YELLOW, LED2 GREEN, 5G BASE-T		
SIZE X	PART NO. MTJ-88AGX1-FS-VLG-M374C-WOT	REV. B
REF: S00005C	SCALE: NTS	SHEET 1 OF 2

6

5

4

3

2

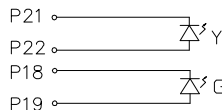
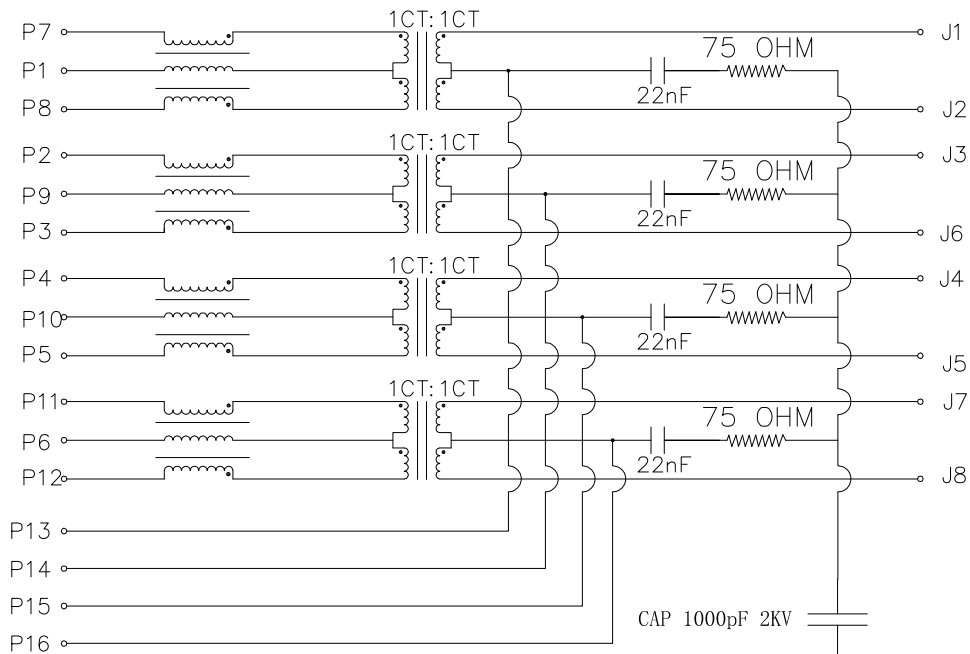
1

APPROVED: _____

DATE: _____ TITLE: _____

Rev	AWO #	Description	Date	Appr
-----	-------	-------------	------	------

SEE SHT 1 OF 2 FOR REVISION



Pin	Green		Yellow
P18	-	P21	-
P19	+	P22	+

PARAMETER	SPECIFICATIONS		
URNS RATIO	1.00 ± 2%		
POLARITY	PER SCHEMATIC		
INSERTION LOSS	1-50MHz	50-125MHz	125-250MHz
	-0.5 dB MIN	-1.2 dB MIN	-2 dB MIN
RETURN LOSS	1-40 MHz	40-250 MHz	
	-16 dB MIN	-16+10Log10(f/40) 40<f≤250 dB	
COMMON MODE REJECTION RATIO	1-40 MHz	40-100 MHz	100-250 MHz
	-30 dB MIN	-28 dB MIN	-26 dB MIN
DIFFERENTIAL MODE TO COMMON MODE ATTENUATION	1-250 MHz		
	-30dB MIN		
INDUCTANCE (OCL)	180uH MIN @100KHZ,0.1V WITH 8mA DC BIAS		
CURRENT CARRYING CAPABILITY,RJ45 PIN 1-8	720mA MAX. @57VDC CONTINUOUS		
INPUT - OUTPUT ISOLATION	2250 VDC MINIMUM FOR 60 SECONDS		

UNLESS OTHERWISE SPECIFIED
ALL DIMENSIONS ARE INCHES [MM]
TOLERANCES: EXCEPT AS NOTED
INCHES HOLES

.X ± .10	∅X ± .10
.XX ± .020	∅XX ± .015
.XXX ± .015	∅XXX ± .010

ADAM
TECH

909 Rahway Avenue,
Union, NJ 07083
Phone: 908-687-5000
Fax: 908-687-5710

APPROVALS		DATE
DRAWN	AY	11/7/19
CHECKED	IW	11/7/19
APPROVED		

TITLE MODULAR JACK, 1 PORT, 8P, FULL SHIELD W/ LED1 YELLOW , LED2 GREEN, 5G BASE-T		
SIZE	PART NO.	REV.
X	MTJ-88AGX1-FS-VLG-M374C-WOT	B
REF: S00005C	SCALE: NTS	SHEET 2 OF 2

6

5

4

3

2

1