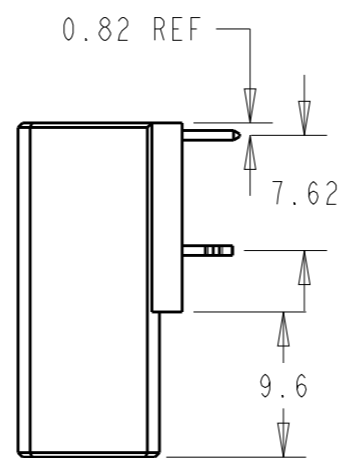
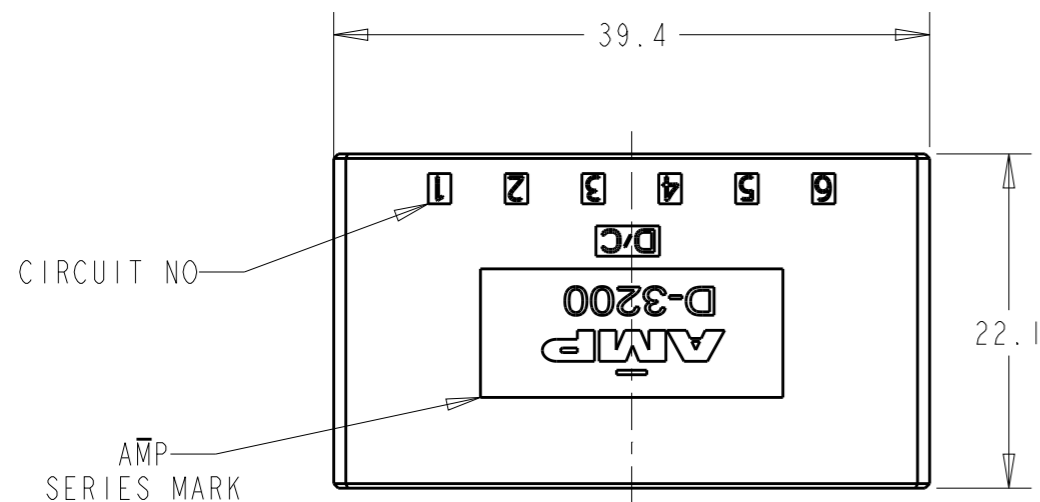


P	LTR	DESCRIPTION	DATE	DWN	APVD
O		REVISED (FJ00-2557-95)	31JUL1995	KI	YI
A		REVISED (FLD0-0114-03)	25APR2003	TS	SM
B		REVISED (FLD0-0039-03)	02JUN2003	TS	SM
BI		REVISED PER ECR-20-011916	24AUG2020	A.W	R.B

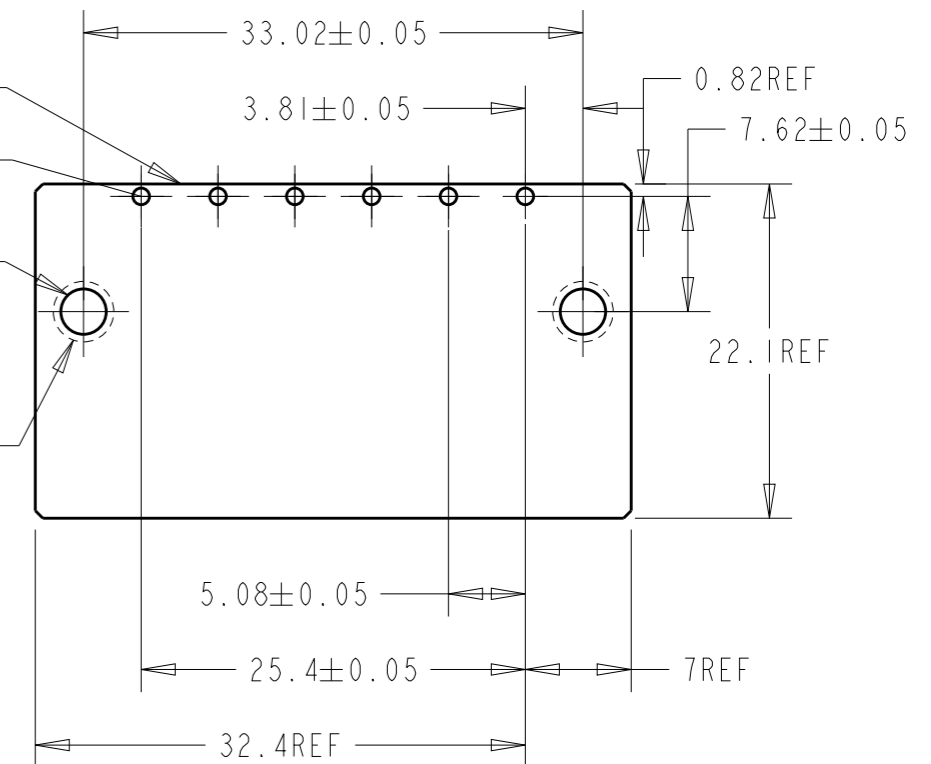


OUTLINE OF HEADER HOUSING

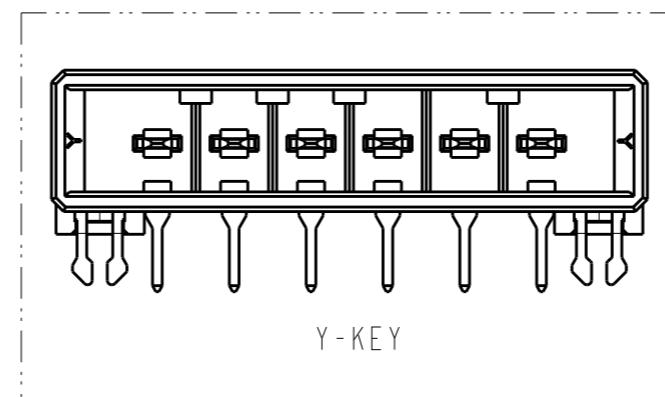
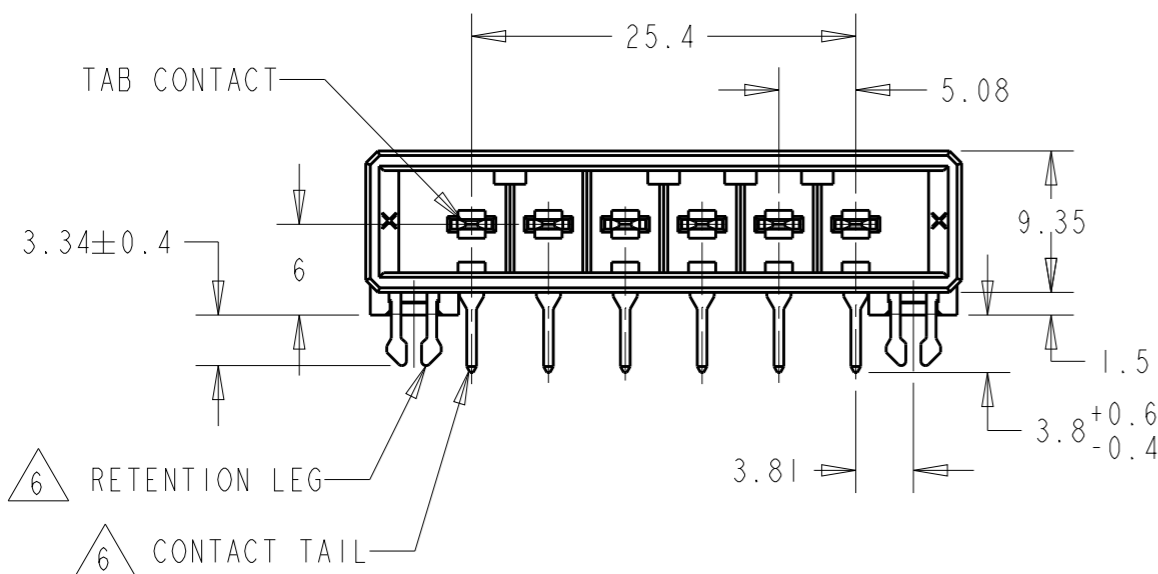
DIA 1.1±0.1 6PLACES

DIA 3±0.1 2PLACES

ROUND DIA 4MIN 2PLACES



RECOMEND PC BOARD HOLE PATTERN  
PC BOARD THICKNESS: 1.6±0.1  
(NOT ACCUMULATE TOLERANCE)  
(CONNECTOR MOUNT SIDE)



△6	△4	2-316131-5	Y
△6	△3	2-316131-3	Y
△6	△2	2-316131-2	Y
△6	△4	1-316131-5	X
△6	△3	1-316131-3	X
△6	△2	1-316131-2	X
(FINISH)	(PART NO)	KEY	

NOTE

- MATERIAL: HOUSING: GLASS FILLED THERMO PLATIC, POLYESTER  
CONTACT: COPPER ALLOY  
RETENTION LEG: COPPER ALLOY
- △2. FINISH (CONTACT AREA); 0.38µm MIN GOLD PLATING OVER Ni PLATING
- △3. FINISH (CONTACT AREA); 0.76µm MIN GOLD PLATING OVER Ni PLATING
- △4. FINISH (CONTACT AREA); 2.0µm MIN TIN PLATED OVER NICKEL
- △5. ~~FINISH (RETENTION LEG): TIN LEAD PLATED (CONTACT TAIL) OVER NICKEL~~
- △6. FINISH (RETENTION LEG): TIN-PLATED (CONTACT TAIL) OVER NICKEL

THIS DRAWING IS A CONTROLLED DOCUMENT.

DIMENSIONS:	TOLERANCES UNLESS OTHERWISE SPECIFIED:
mm	
	0 PLC ±0.2
	1 PLC ±0.3
	2 PLC ±0.4
	3 PLC ±
	4 PLC ±
	ANGLES ±3°

MATERIAL SEE NOTE

FINISH SEE TABLE

DWN	K. IKEDA	26JUL1995
CHK	Y. ISHIKAWA	31JUL1995
APVD	S. MANABE	31JUL1995

PRODUCT SPEC	-
APPLICATION SPEC	-
WEIGHT	-

NAME DYNAMIC CONN. 6POS. HORIZONTAL HDR. ASS'Y (D-3200)	
SIZE A3	CAGE CODE 00779
DRAWING NO C-316131	RESTRICTED TO

CUSTOMER DRAWING SCALE 2:1 SHEET 1 OF 1 REV BI