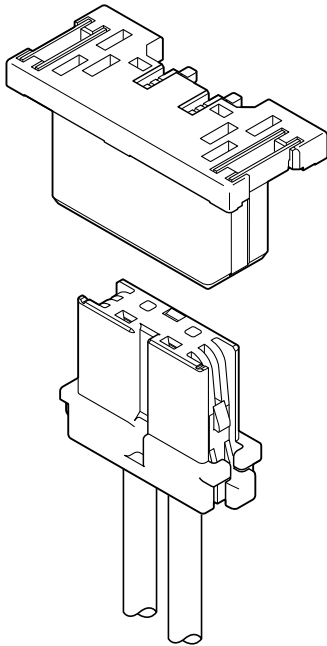


# LEX CONNECTOR



2.5mm pitch/For LED Lamp/Disconnectable Crimp style connectors



Considering about luminescence property of LED package, this LEX connector is designed as low profile bottom type connector for LED lighting equipment, and achieves the space saving at the connector mounting side.

In consideration of connector mating operation, secure lock and mechanism for preventing wrong insertion are provided. With the assumption that the load may be applied to the soldering part when mating the connector, the strength of soldering part after mounting the connector on PCB has been largely improved.

- Low profile and space saving design  
Mounting height at connector mounting side: 1.2mm
- Secure locking mechanism
- Mechanism for preventing wrong insertion
- Halogen-free and RoHS compliant

## Specifications

- Current rating: 3 A AC, DC (AWG #22)
- Voltage rating: 300 V AC, DC
- Temperature range: -55°C to +105°C  
(including temperature rise in applying electrical current)
- Contact resistance: Initial value/ 10 mΩ max.  
After environmental tests/ 20 mΩ max.
- Insulation resistance: 1,000 MΩ min.
- Withstanding voltage: 1,700 VAC/minute
- Applicable wire: Conductor size/ AWG #30 to #22  
Insulation O.D./ 0.7 to 1.3 mm

\* Refer to "General Instruction and Notice when using Terminals and Connectors" at the end of this catalog.

\* Contact JST for details.

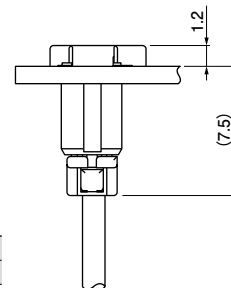
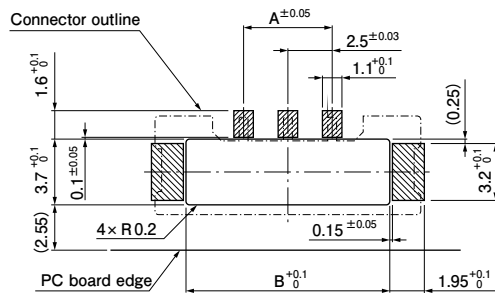
\* Compliant with RoHS.

## Standards

Ⓜ Recognized E60389

Ⓢ Certified LR20812

## PC board layout and Assembly layout



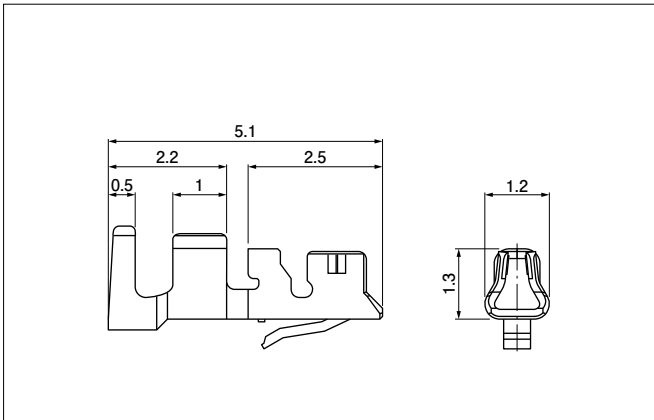
No. of circuits	Dimensions (mm)	
	A	B
2	—	9.0
4	7.5	14.0

Note: 1. The above figure is the figure viewed from the connector mounting side.

2. Tolerances are non-cumulative: ± 0.05 mm for all centers.

The dimensions above should serve as a guideline. Contact JST for details.

## Contact



Model No.	Applicable wire			Q'ty/ reel
	mm <sup>2</sup>	AWG#	Insulation O.D. (mm)	
SSFH-001T-P0.5	0.13 to 0.33	26 to 22	0.95 to 1.3	15,000
SSFH-002T-P0.5	0.05 to 0.13	30 to 26	0.7 to 1.25	15,000

### Material and Finish

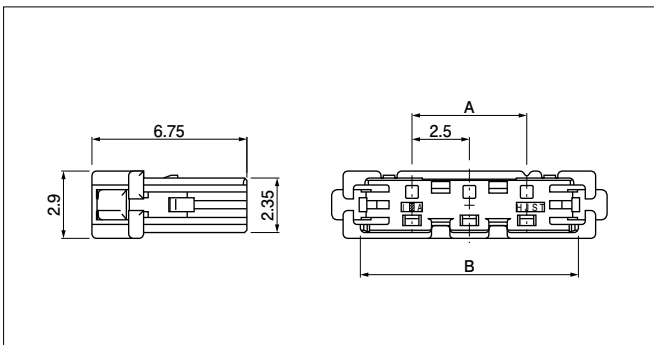
Copper alloy, tin-plated (reflow treatment)

### RoHS compliance

Contact	Crimping machine	Applicator		
		Crimp applicator	Dies	Crimp applicator with dies
SSFH-001T-P0.5	AP-K2N	MKS-L	MK/SSFH-001-05	APLMK SSFH001-05
		—	—	—
SSFH-002T-P0.5	AP-K2N	MKS-L	MK/SSFH-002-05	APLMK SSFH002-05
		—	—	—

Note: Contact JST for fully automatic crimping applicator.

## Housing



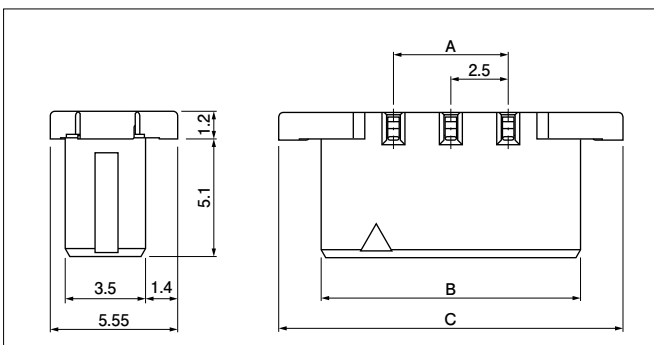
No. of circuits	Model No.	Dimensions (mm)		Q'ty/ bag
		A	B	
2	LEXR-02V-S (HF)	—	7.0	2,000
4	LEXR-04V-S (HF)	7.5	12.0	1,000

### Material

Glass-filled PA 66, UL94V-0, natural

### RoHS compliance

## Header



No. of circuits	Model No.	Dimensions (mm)			Q'ty/ reel
		A	B	C	
2	EM02B-LEXSS-TF (HF)	—	8.8	12.5	1,600
4	EM04B-LEXSS-TF (HF)	7.5	13.8	17.5	1,600

### Material and Finish

Press pin: Copper alloy, copper-undercoated, tin-plated (reflow treatment)  
Housing: PA 9T, UL94V-0, natural  
Solder tab: Copper alloy, copper-undercoated, tin-plated (reflow treatment)

### RoHS compliance

Note: The products listed above are supplied on embossed-tape.

# LEX CONNECTOR

## Model number allocation

### Contact

**S SFH -001 T - P 0.5**

Form: S··Strip form

Series name

Applicable wire range: 001··AWG #26 to #22  
002··AWG #30 to #26

Surface finish: T··Tin-plated (reflow treatment)

Material: P··Copper alloy

Terminal size

### Housing

**LEX R - 02 V - S (HF)**

Series name

Part name: Receptacle

No. of circuits: 2, 4

Flammability: V··UL94V-0

Color: S··Natural

Indication of halogen free: (HF)··Halogen free

### Header

**EM 02 B - LEX S S - TF (HF)**

Shape of assembled product:  
EM··SMT bottom type

No. of circuits: 2, 4

Part name: Header

Series name

Color: S··Natural

Indication of clinch: S··Straight pin

Packaging style: TF··Embossed-taping

Indication of halogen free: (HF)··Halogen free