

1

2

3

4

5

6

7

A

B

C

D

E

F

A

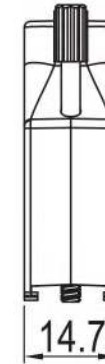
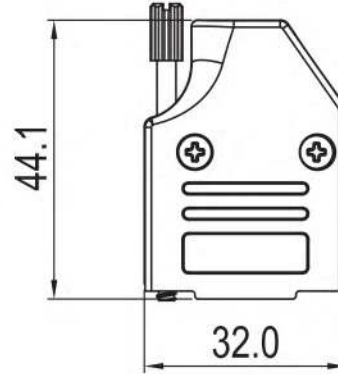
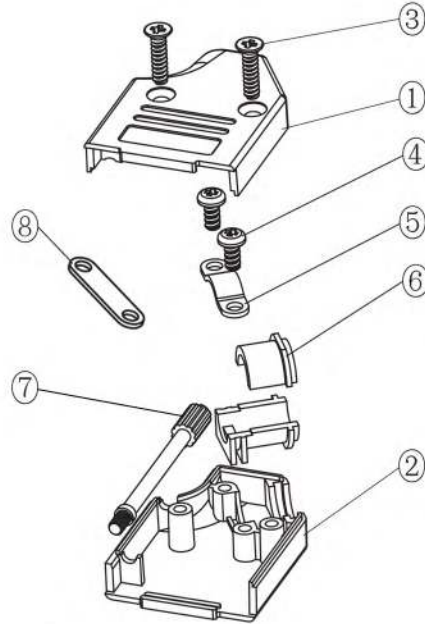
B

C

D

E

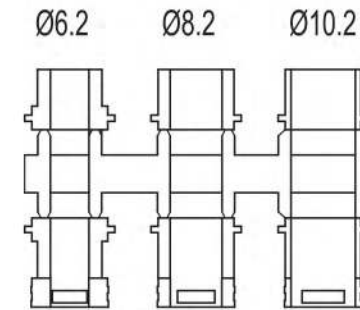
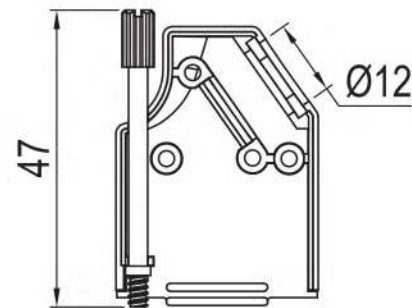
F



TECHNICAL SPECIFICATIONS

Material: Zinc
 Plating: Nickel
 Operating Temperature: -25°C to +90°C
 Jackscrews: UNC 4-40

No. of contacts: 09-15-25-37



Grommet Set

Item	QTY	Part description
1	1	Upper Cover
2	1	Lower Cover
3	2	M3x12 CSK Screw
4	2	M3x6 Screw
5	1	Clamp-Rounded
6	1	Grommet Set
7	1	Thumbscrew UNC4-40x47
8	1	Clamp-Flat

RoHS compliant
 Unit: mm

Scale	Free				Date	Name	Customer-No.
TOLERANCE					Drawn	17.08.2017	S.Bölling
0~6	±0.10				Approved	17.08.2017	S.Bölling
6~30	±0.20						
30~120	±0.30						
120~400	±0.50						
DIM	Tol						
Angle	±1°	©	Drawn	17.08.2017	S.Bölling		
Angle	Tol	Id.	Modification	Date	Name		

ASSMANN
 WSW components

Customer-No.
 ASSMANN WSW-No.
ACOV-SUB-09MB27

Drawing-No.
ASS_5268_CO rev00
 Replace
 Sheet 1/4

1

2

3

4

5

6

7

SV4382

1

2

3

4

5

6

7

A

B

C

D

E

F

A

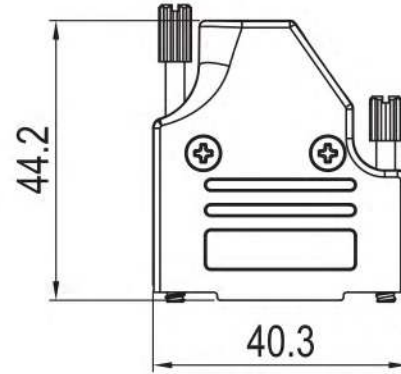
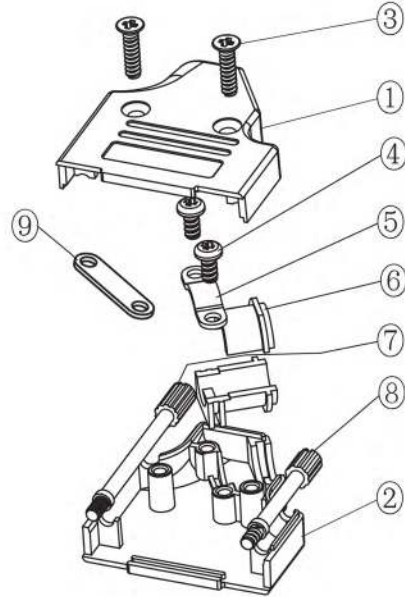
B

C

D

E

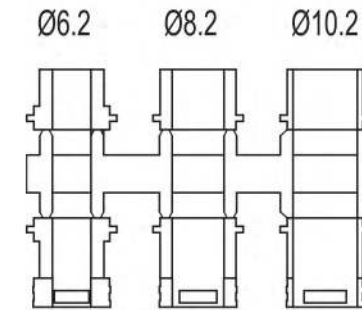
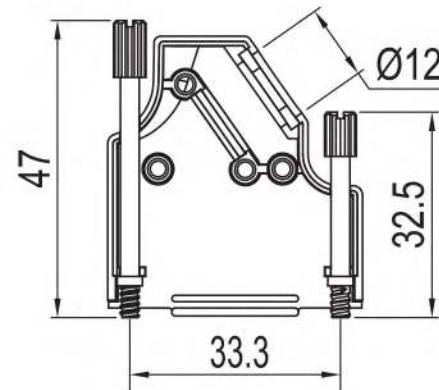
F



TECHNICAL SPECIFICATIONS

Material: Zinc
 Plating: Nickel
 Operating Temperature: -25°C to +90°C
 Jackscrews: UNC 4-40

No. of contacts: 09-15-25-37



Grommet Set

Item	QTY	Part description
1	1	Upper Cover
2	1	Lower Cover
3	2	M3x12 CSK Screw
4	2	M3x6 Screw
5	1	Clamp-Rounded
6	1	Grommet Set
7	1	Thumbscrew UNC4-40x47
8	1	Thumbscrew UNC4-40x32.5
9	1	Clamp-Flat

RoHS compliant
 Unit: mm

Scale	Free				Date	Name	Customer-No.
TOLERANCE					Drawn	17.08.2017	S.Bölling
0~6	±0.10				Approved	17.08.2017	S.Bölling
6~30	±0.20						
30~120	±0.30						
120~400	±0.50						
DIM	Tol						
Angle	±1°	Ⓢ	Drawn	17.08.2017	S.Bölling		
Angle	Tol	Id.	Modification	Date	Name		

ASSMANN
 WSW components

Customer-No.
 ASSMANN WSW-No.
ACOV-SUB-15MB27

Drawing-No.
ASS_5268_CO rev00
 Replace
 Sheet 2/4

1

2

3

4

5

6

7

SV4382

1

2

3

4

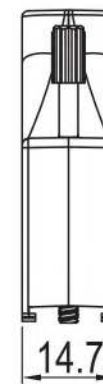
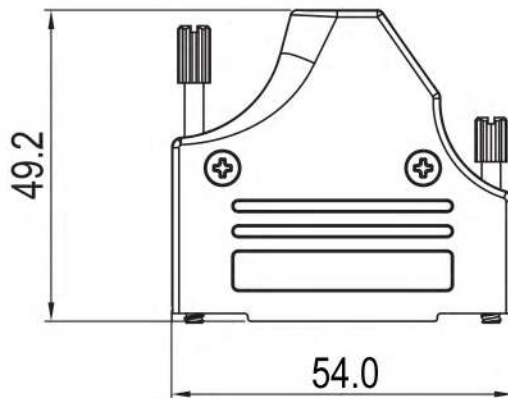
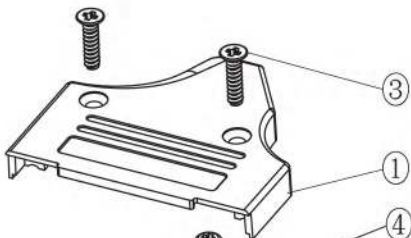
5

6

7

A

A



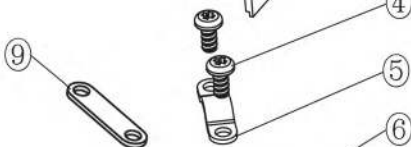
TECHNICAL SPECIFICATIONS

Material: Zinc
 Plating: Nickel
 Operating Temperature: -25°C to +90°C
 Jackscrews: UNC 4-40

No. of contacts: 09-15-25-37

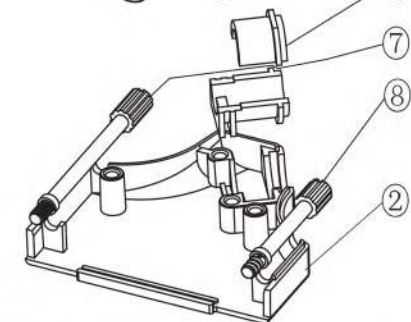
B

B



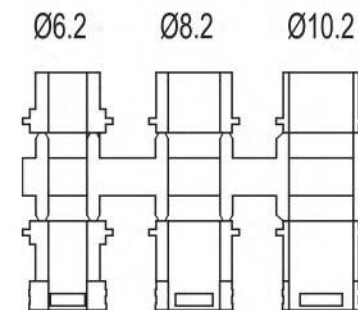
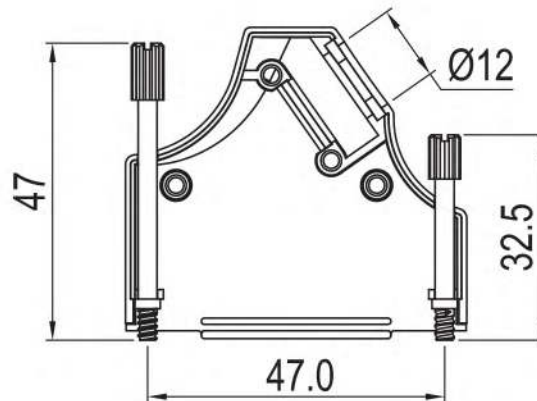
C

C



D

D



Grommet Set

E


E

Item	QTY	Part description
1	1	Upper Cover
2	1	Lower Cover
3	2	M3x12 CSK Screw
4	2	M3x6 Screw
5	1	Clamp-Rounded
6	1	Grommet Set
7	1	Thumbscrew UNC4-40x47
8	1	Thumbscrew UNC4-40x32.5
9	1	Clamp-Flat

F

F

RoHS compliant
 Unit: mm

Scale	Free				Date	Name	Customer-No.	
TOLERANCE					Drawn	17.08.2017	S.Bölling	
0~6	±0.10				Approved	17.08.2017	S.Bölling	
6~30	±0.20							
30~120	±0.30							
120~400	±0.50							
DIM	Tol							
Angle	±1°	©	Drawn	17.08.2017				S.Bölling
Angle	Tol	Id.	Modification	Date				Name

Customer-No.

Drawn

Date

Name

Approved

Date

Name

ASSMANN WSW-No.

ACOV-SUB-25MB27

Drawing-No.

ASS_5268_CO

rev00

Replace

Sheet 3/4

H

H

1

2

3

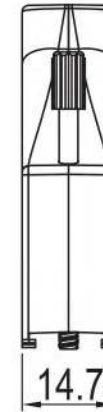
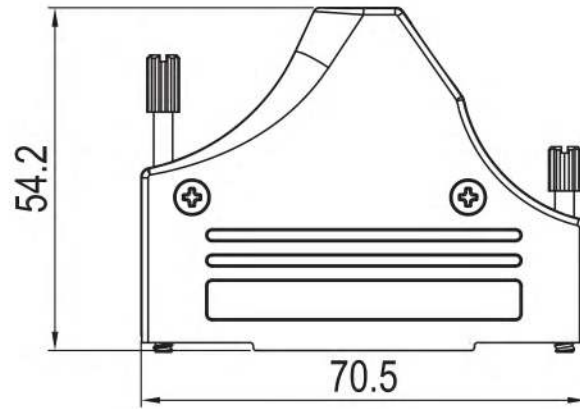
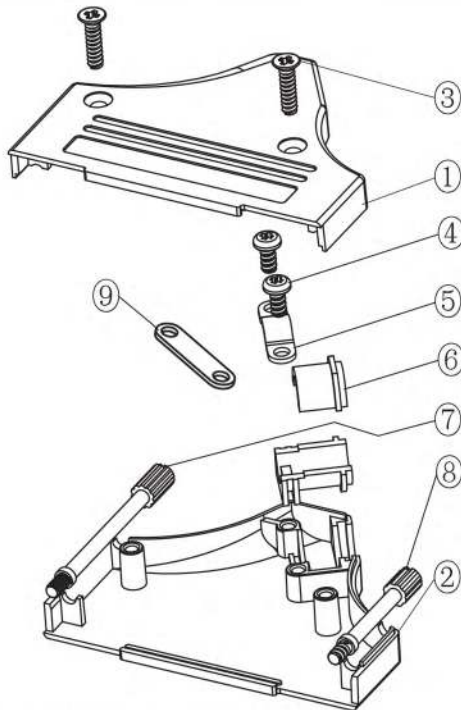
4

5

6

7

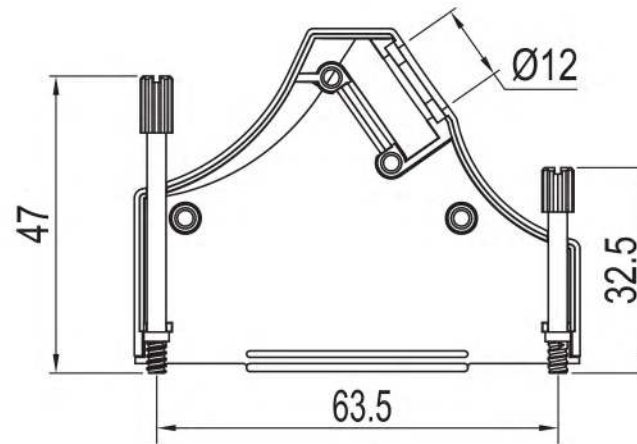
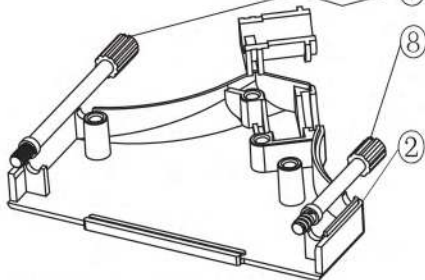
SV4382



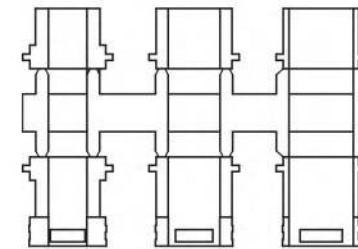
TECHNICAL SPECIFICATIONS

Material: Zinc
 Plating: Nickel
 Operating Temperature: -25°C to +90°C
 Jackscrews: UNC 4-40

No. of contacts: 09-15-25-37



Ø6.2 Ø8.2 Ø10.2



Grommet Set

Item	QTY	Part description
1	1	Upper Cover
2	1	Lower Cover
3	2	M3x12 CSK Screw
4	2	M3x6 Screw
5	1	Clamp-Rounded
6	1	Grommet Set
7	1	Thumbscrew UNC4-40x47
8	1	Thumbscrew UNC4-40x32.5
9	1	Clamp-Flat

RoHS compliant
 Unit: mm

Scale	Free	Date	Name	Customer-No.
TOLERANCE		Drawn	17.08.2017	S.Bölling
0~6	±0.10	Approved	17.08.2017	S.Bölling
6~30	±0.20			
30~120	±0.30			
120~400	±0.50			
DIM	Tol			
Angle	±1°			
Angle	Tol			
Id.	Modification	Date	Name	

Customer-No.
 ASSMANN WSW-No.
ACOV-SUB-37MB27

Drawing-No.
ASS_5268_CO rev00
 Replace Sheet 4/4