

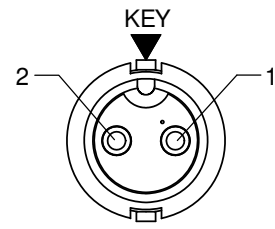
CUSTOMER PRINT

PART NUMBER: 6380-XPG-3XXW(CCX)

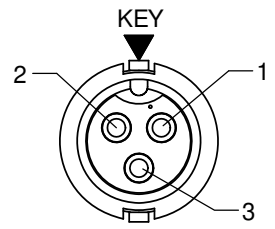
- NOTES:**
 1. ALL PARTS TO BE BULK PACKED.
 2. CONTACTS SHIPPED UNASSEMBLED

KIT P/N	GROMMET SIZE
6380-XPG-3DCW	DAISY CHAIN
6380-XPG-311W	CABLE O.D. .09-.14 [2.3-3.5mm]
6380-XPG-315W	CABLE O.D. .15-.17 [3.8-4.3mm]
6380-XPG-318W	CABLE O.D. .18-.20 [4.6-5.1mm]
6380-XPG-321W	CABLE O.D. .21-.23 [5.3-5.8mm]

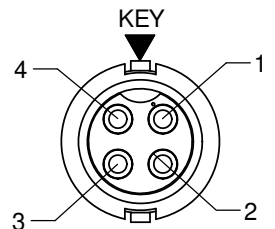
KIT P/N	NO. OF CONTACTS
6380-2PG-3XXW	2 # 16
6380-3PG-3XXW	3 # 16
6380-4PG-3XXW	4 # 16
6380-XPG-3XXW	



FACE VIEW
6380-2PG-3XXW

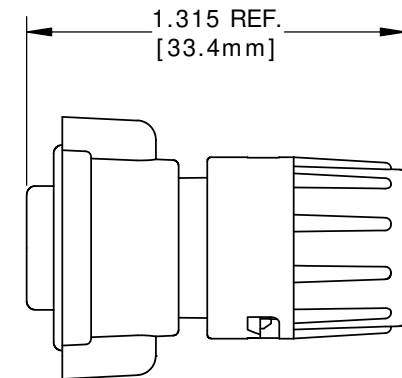
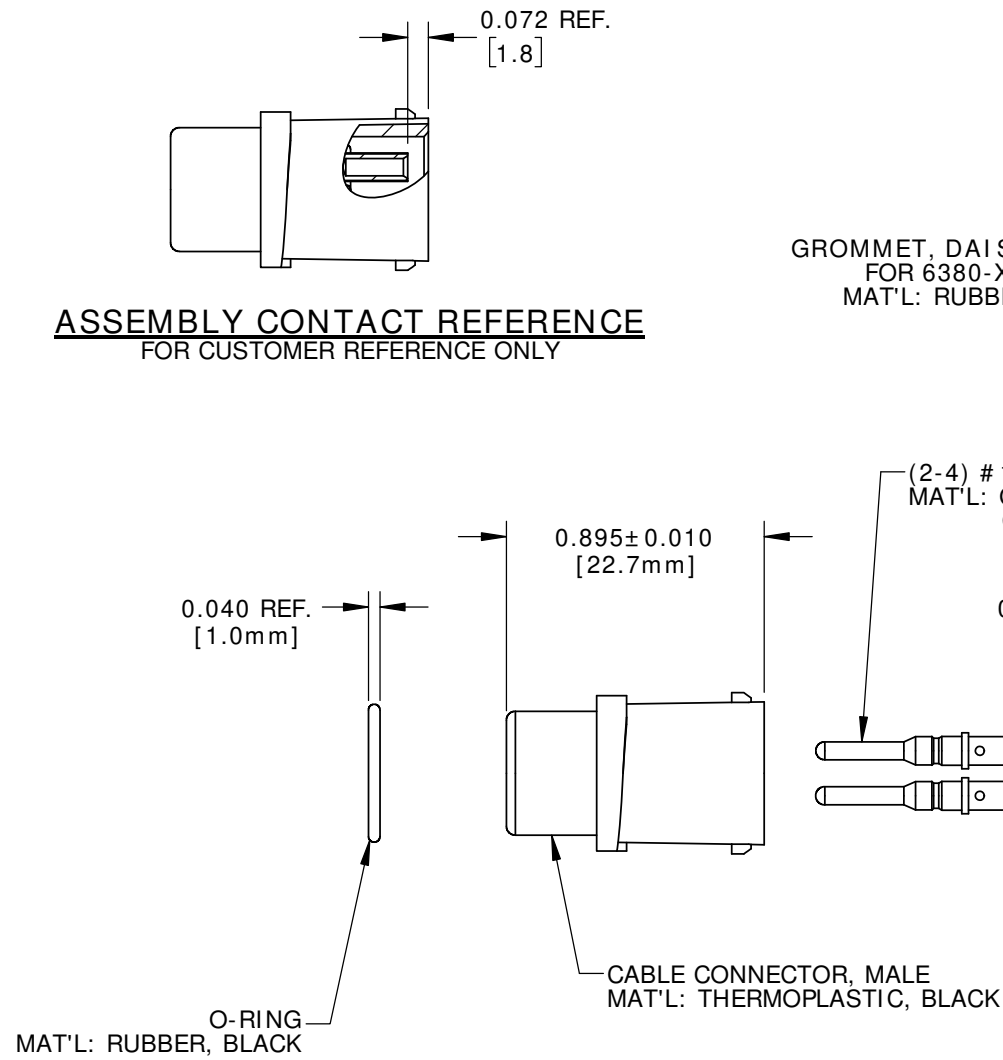


FACE VIEW
6380-3PG-3XXW



FACE VIEW
6380-4PG-3XXW

ASSEMBLY CONTACT REFERENCE
FOR CUSTOMER REFERENCE ONLY



SHOWN ASSEMBLED KIT
FOR CUSTOMER REFERENCE ONLY

GROMMET, DAISY CHAIN
FOR 6380-XPG-3DCW
MAT'L: RUBBER, BLACK

(2-4) #16 PIN CONTACTS
MAT'L: GOLD PLATED
COPPER ALLOY

CABLE CONNECTOR, MALE
MAT'L: THERMOPLASTIC, BLACK

WINGED COUPLING RING
MAT'L: THERMOPLASTIC, BLACK
SEE CHART FOR OTHER
COLORED COUPLING RING

SINGLE GROMMET
MAT'L: SANTOPRENE, BLACK
6380-XPG-311W .125 I.D. FOR CABLES .09-.14 [2.3-3.5mm] O.D.
6380-XPG-315W .160 I.D. FOR CABLES .15-.17 [3.8-4.3mm] O.D.
6380-XPG-318W .190 I.D. FOR CABLES .18-.20 [4.6-5.1mm] O.D.
6380-XPG-321W .225 I.D. FOR CABLES .21-.23 [5.3-5.8mm] O.D.

0.430 REF.
TYP.
[10.9mm]

Ø0.465 REF.
TYP.
[11.8mm]

Ø0.250
[6.4mm]

Ø0.125
[3.2mm]

Ø0.375 REF.
TYP.
[9.5mm]

Ø0.188
[4.8mm]

0.688±0.015
[17.5mm]

0.072 REF.
[1.8]

0.040 REF.
[1.0mm]

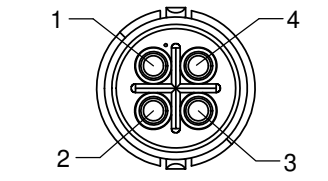
0.895±0.010
[22.7mm]

0.434±0.010
[11.0mm]

GROMMET SIZE
FOR SINGLE
GROMMET OR
"DC" FOR
DAISY CHAIN

NO. OF CONTACTS

ASS'Y P/N	COUPLING RING COLOR
6380-XPG-3XXWCC1	WHITE
6380-XPG-3XXWCC2	RED
6380-XPG-3XXWCC3	BLUE
6380-XPG-3XXWCC4	LIGHT GREY
6380-XPG-3XXWCC5	YELLOW
6380-XPG-3XXWCC6	MAROON
6380-XPG-3XXWCC7	GREEN



WIRE VIEW
6380-4PG-3XXW SHOWN

CUSTOMER APPROVAL

THIS DOCUMENT CONTAINS CONFIDENTIAL INFORMATION PROPRIETARY TO CONXALL CORPORATION. ANY REPRODUCTION, DISCLOSURE, OR USE OF THIS DOCUMENT / INFORMATION IS EXPRESSLY PROHIBITED UNLESS AUTHORIZED IN WRITING BY CONXALL CORPORATION.

APPROVED BY: _____
 DATE: _____

RoHS COMPLIANT

C	SS	05-13-19	ADDED WINGED COUPLING RING COLOR CHART TO DRAWING PER DOR 19-E149SL #6
B	AN	11-04-13	GROMMET O.D. 0.465 WAS .48, ADDED COUPLING RING DIM. 0.434, ADD TOLERANCES, MATERIALS AND ASSEMBLED VIEW. PER ECR 8561
A	BZ	03-26-10	DRAWING CREATED PER DOR 10-E149SL
REV.	INIT.	DATE	DESCRIPTION
ALL INFORMATION ILLUSTRATED IS THE PROPERTY OF CONXALL CORPORATION. UNAUTHORIZED DUPLICATION OR DISTRIBUTION OF THIS DOCUMENT IS PROHIBITED.		ORIG. DRAWN BY: BZ	DATE: 03-26-10
ALL UNITS ARE IN FEET, INCHES, FRACTION OF INCHES AND DECIMALS.		CHECKED BY:	<p>601 E. WILDWOOD VILLA PARK, IL 60181</p>
- CRITICAL CHARACTERISTIC FLAG PER SPEC. XXXX		APPROVED BY:	
SCALE: NTS	SIZE: B	SHEET: 1 OF 1	TITLE: CABLE CONNECTOR KIT (2-4) #16 PIN CONTACTS MINI-CON-X WITH WINGED COUPLING RING
FILE: 6380-XPG-3XXW(CCX)	DIRECTORY: SLW	PART NUMBER: 6380-XPG-3XXW(CCX)	CUSTOMER: STANDARD PRODUCT
			REV C

DIMENSIONS IN BRACKETS [] ARE METRIC