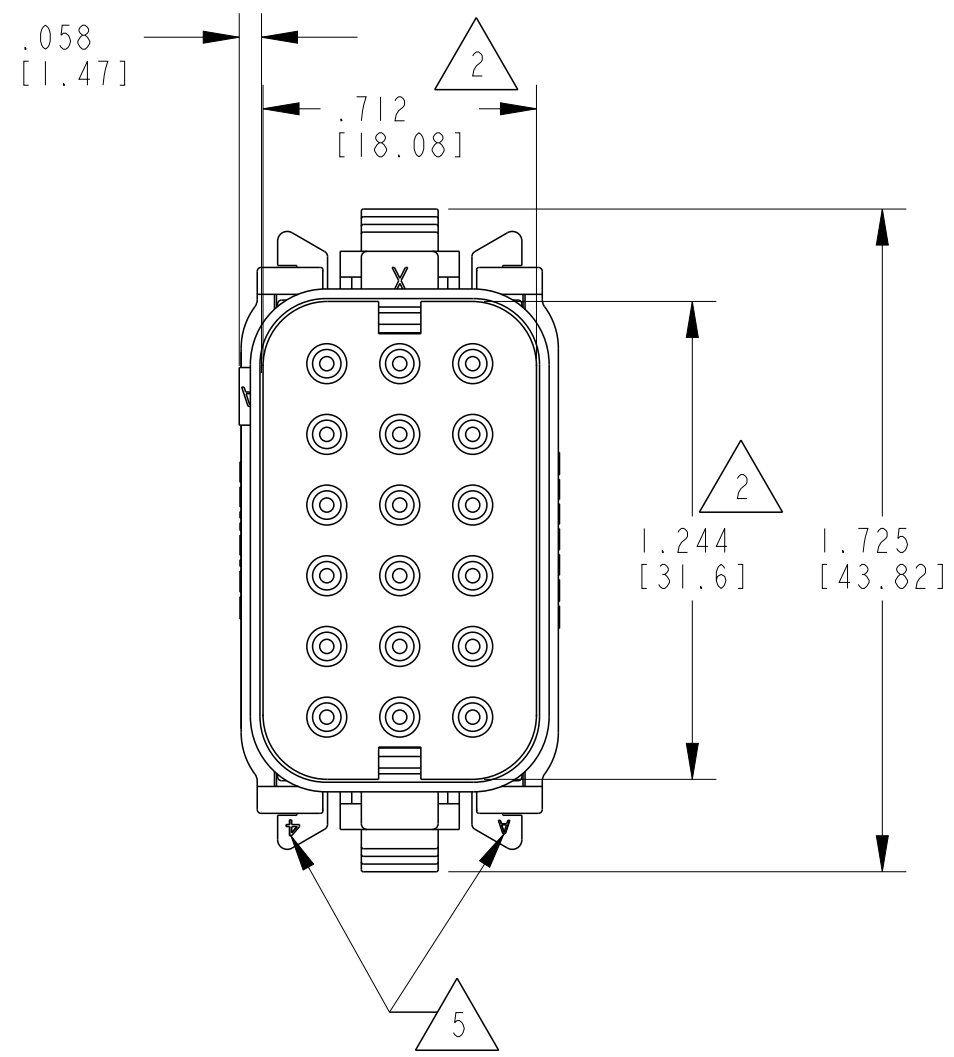
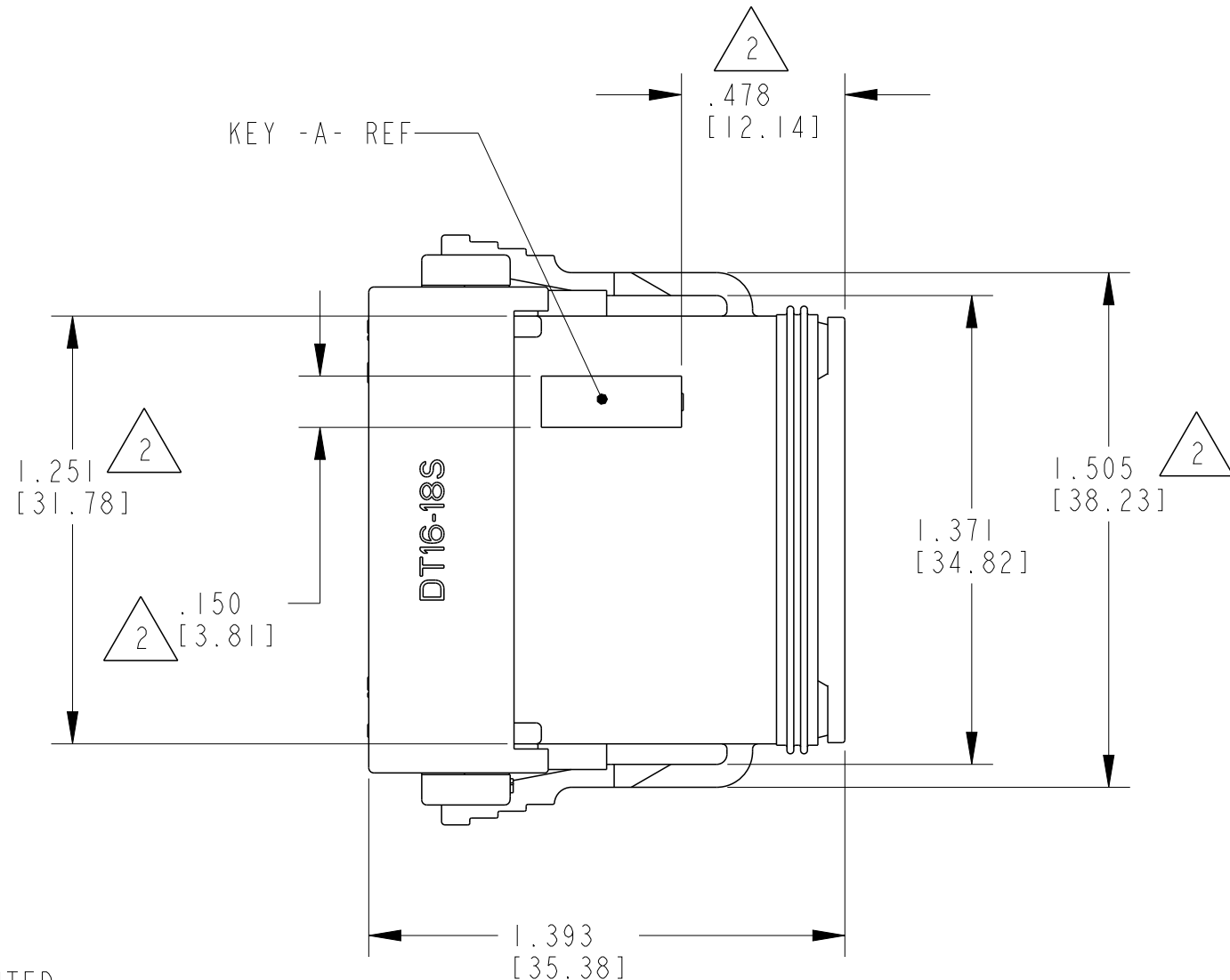
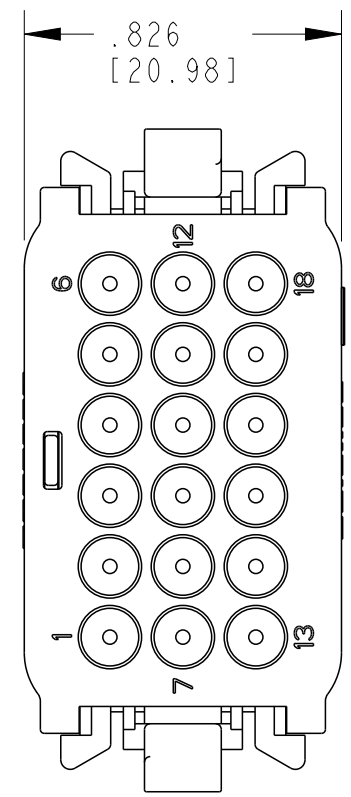


THIS DRAWING IS UNPUBLISHED
 RELEASED FOR PUBLICATION 2015
 © COPYRIGHT 2015 BY - TE CONNECTIVITY ALL RIGHTS RESERVED.

LOC		DIST		REVISIONS			
P	LTR	DESCRIPTION		DATE	DWN	APVD	
-	-	E1		REVISED PER ECO-15-011146	30JUL2015	MGM	DM



5 DATE CODE: MONTH IS REPRESENTED BY SEQUENTIAL ALPHA CHARACTERS EX: A = JANUARY YEAR IS REPRESENTED BY LAST NUMERICAL DIGIT EX: 4 = 2004

4. SEE INTERFACE DRAWING, DT14-18PX-K004 FOR MATING RECEPTACLE INFORMATION

3. THE FOLLOWING SEALING PLUGS MAY BE USED
- 114017 SEALING PLUG
 - 776363-1 SEALING PLUG
 - 776364-1 SEALING PLUG
 - 0413-215-1605 SEALING KEYING PIN
 - 0413-217-1605 SEALING LOCKING PLUG
 - 0413-204-2005 SEALING PLUG

2. DIMENSIONS HELD BY DESIGN CONTROLS.

1. MATERIAL: SHELL: PLASTIC; COLOR: BLACK
 SEAL: RUBBER

CONTACT SIZE	MIN. INSUL. O.D.	MAX. INSUL. O.D.	WIRE RANGE [mm ²]
16	.053 [1.35]	.120 [3.05]	14-20 AWG [2.0-0.5]

THIS DRAWING IS A CONTROLLED DOCUMENT.		DWN X. SANCHEZ 22NOV2002	STE TE Connectivity	
DIMENSIONS: INCHES [mm]		CHK DAVID MEYER 15MAY2006		
TOLERANCES UNLESS OTHERWISE SPECIFIED:		APVD DAVID MEYER 15MAY2006	NAME 18 WAY PLUG	
0 PLC ±		PRODUCT SPEC 108-151009	18 SIZE #16 CONTACTS	
1 PLC ±		APPLICATION SPEC 0425-017-0000	-K004 MOD. D.T. SERIES	
2 PLC ±		WEIGHT -	SIZE A3	CAGE CODE 4AFU8
3 PLC ±.025 [0.64]		CUSTOMER DRAWING	DRAWING NO. DT16-18SX-K004	RESTRICTED TO -
4 PLC ±		SCALE 2:1	SHEET 1 OF 2	REV E1
ANGLES ±				
FINISH -				

THIS DRAWING IS UNPUBLISHED
 RELEASED FOR PUBLICATION 2015
 © COPYRIGHT 2015 BY - TE CONNECTIVITY ALL RIGHTS RESERVED.

LOC	DIST	REVISIONS			
P	LTR	DESCRIPTION	DATE	DWN	APVD
-	-	SEE SHEET 1	-	-	-

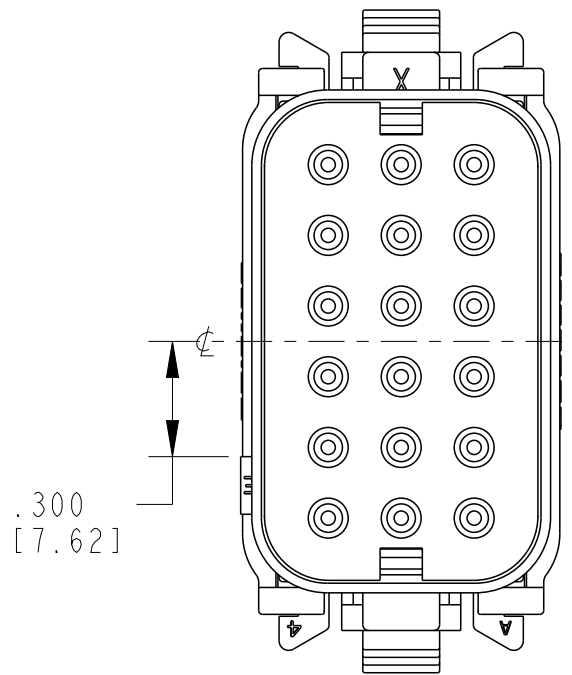
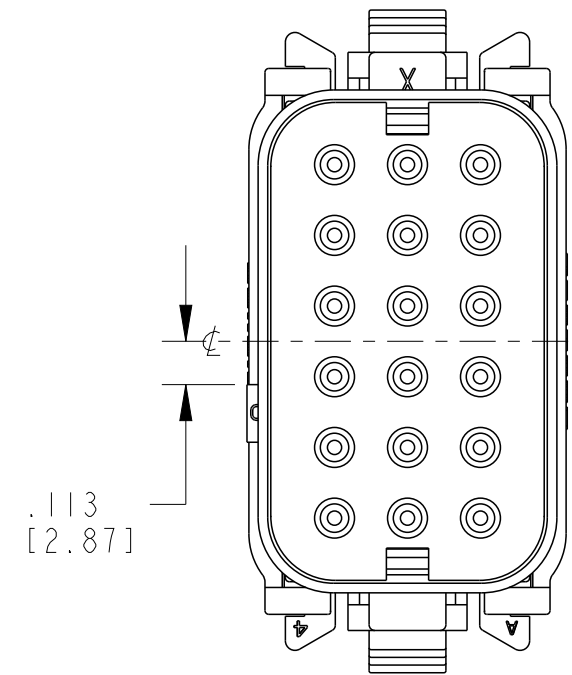
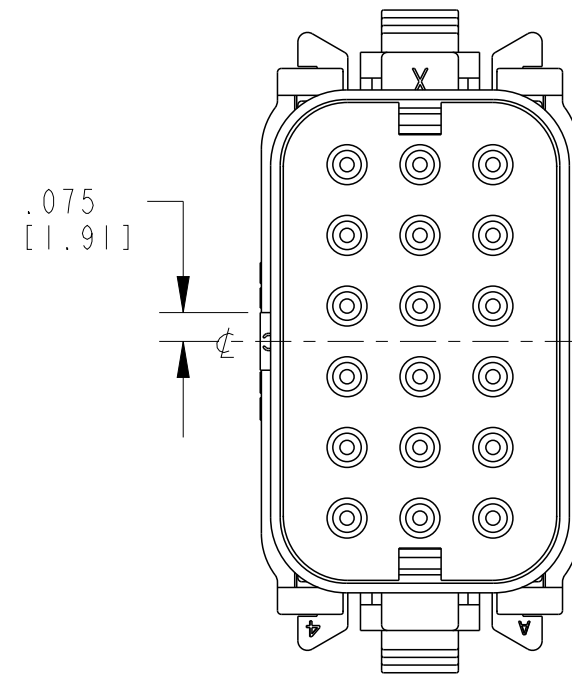
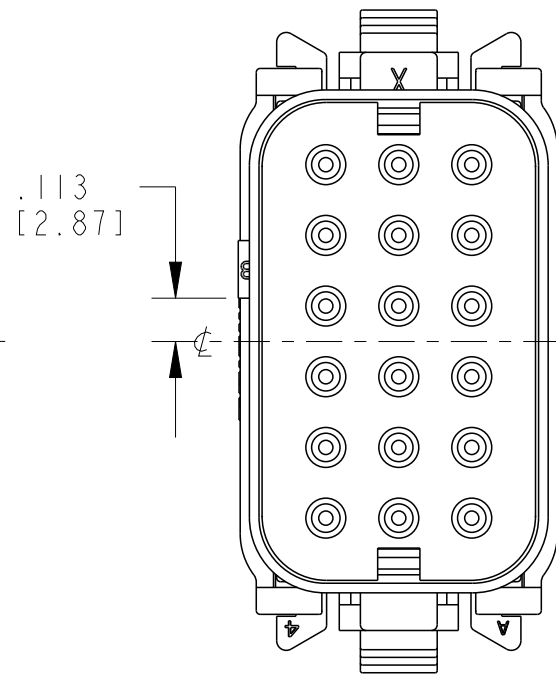
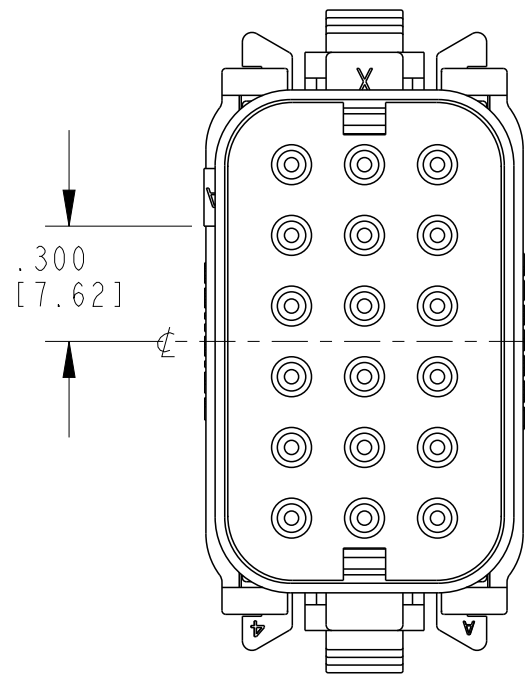
KEY ARR. -A-

KEY ARR. -B-

KEY ARR. -C-

KEY ARR. -D-

KEY ARR. -E-



THIS DRAWING IS A CONTROLLED DOCUMENT.		DWN X. SANCHEZ 22NOV2002					
DIMENSIONS: INCHES [mm]		CHK DAVID MEYER 15MAY2006					
TOLERANCES UNLESS OTHERWISE SPECIFIED:		APVD DAVID MEYER 15MAY2006	NAME 18 WAY PLUG 18 SIZE #16 CONTACTS -K004 MOD. D.T. SERIES				
0 PLC ± 1 PLC ± 2 PLC ± 3 PLC ±.025 [0.64] 4 PLC ± ANGLES ± FINISH -		PRODUCT SPEC 108-151009	SIZE A3	CAGE CODE 4AFU8	DRAWING NO C-DT16-18SX-K004	RESTRICTED TO -	
MATERIAL -		APPLICATION SPEC 0425-017-0000	SCALE 2:1		SHEET 2	OF 2	REV E1
		WEIGHT -	CUSTOMER DRAWING				