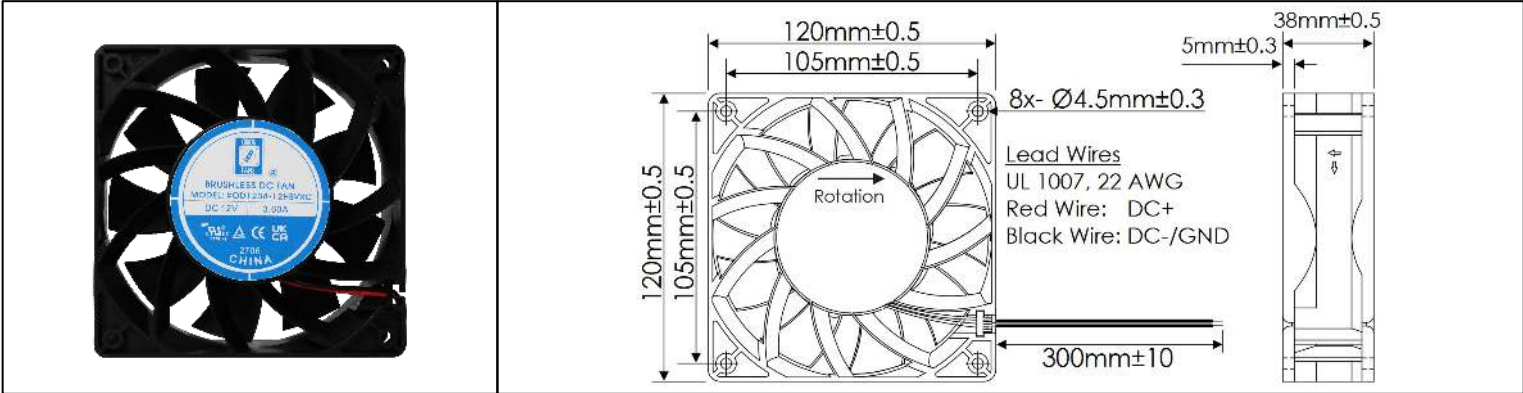


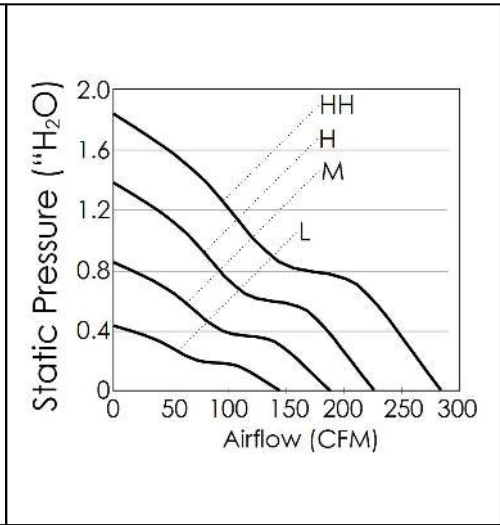
OD1238 VXC Series



High Performance DC Fans - 12, 24, 48V
120mm x 38mm (4.7" x 1.5")



Frame	PBT, UL94 V-0 Plastic	Operating Temperature -20°C ~ +75°C Storage Temperature -40°C ~ +80°C Life Expectancy 65,000 Hours (L10 at 45°C) Available Options PWM Speed Control Input Tachometer Output Alarm Output IP55 Rating Salt Fog GR-487 Rating Weight: 0.78 lbs
Impeller	PBT, UL94 V-0 Plastic	
Connection	2x Lead Wires, 22 AWG	
Motor	Brushless DC, Auto Cutoff, Auto Restart, Polarity Protected, Electronically Protected	
Bearing System	Ball Bearings	
Dielectric Strength	500VDC/min, <1mA	
Insulation Resistance	≥10M Ohm @ 500 VDC	

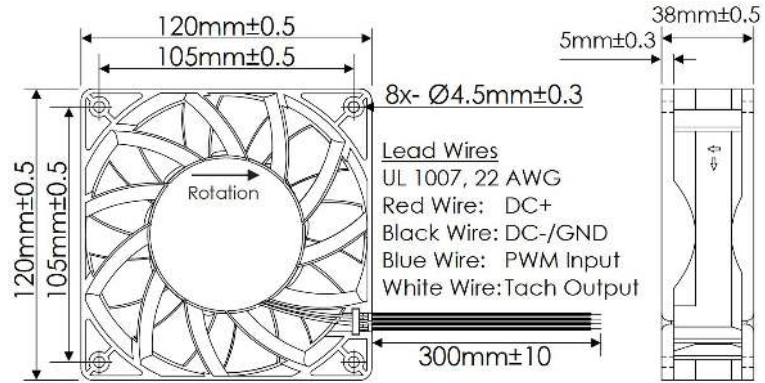


Part Number	Rated Voltage (Volts DC)	Voltage Range (Volts DC)	Rated Power (Watts)(Max)	Rated Current (Amps)(Max)	Rated Speed (RPM)	Max Airflow (CFM)	Noise Level (dBA)	Max Static Pressure (\"H ₂ O)
OD1238-12HBVXC	12	6 ~ 14	39.6 (43.2)	3.3 (3.60)	5000	226.0	65	1.35
OD1238-12MBVXC	12	6 ~ 14	24.0 (28.8)	2.0 (2.40)	4000	188.5	59	0.85
OD1238-12LBVXC	12	6 ~ 14	18.0 (21.6)	1.5 (1.80)	3000	139.6	52	0.46
OD1238-24HBVXC	24	12 ~ 28	40.8 (49.0)	1.7 (2.04)	5000	226.0	65	1.35
OD1238-24MBVXC	24	12 ~ 28	26.4 (31.7)	1.1 (1.32)	4000	188.5	59	0.85
OD1238-24LBVXC	24	12 ~ 28	14.4 (17.3)	0.6 (0.72)	3000	139.6	52	0.46
OD1238-48HBVXC	48	24 ~ 52	62.4 (74.9)	1.3 (1.56)	6000	283.0	70	1.85
OD1238-48MBVXC	48	24 ~ 52	48.0 (57.6)	1.0 (1.20)	5000	226.0	65	1.35
OD1238-48LBVXC	48	24 ~ 52	28.8 (34.6)	0.6 (0.72)	4000	188.5	59	0.85
OD1238-48LBVXC	48	24 ~ 52	18.2 (22.1)	0.38 (0.46)	3000	139.6	52	0.46

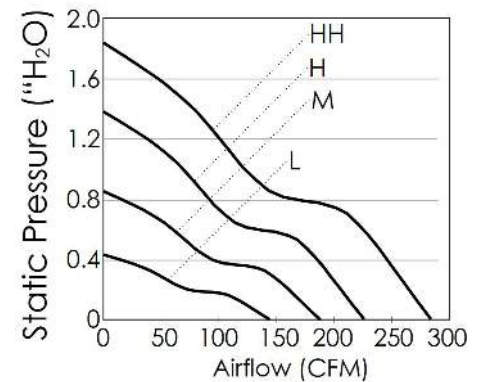
OD1238 VXC Series with PWM and Tach



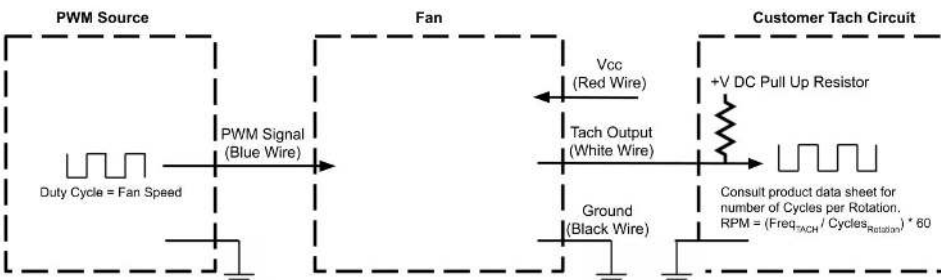
High Performance DC Fans - 12, 24, 48V
120mm x 38mm (4.7" x 1.5")



Frame	PBT, UL94 V-0 Plastic	Operating Temperature -20°C ~ +75°C Storage Temperature -40°C ~ +80°C Life Expectancy 65,000 Hours (L10 at 45°C) Installed Options PWM Speed Control Input Open Collector Tach Output Weight: 0.78 lbs
Impeller	PBT, UL94 V-0 Plastic	
Connection	4x Lead Wires, 22 AWG	
Motor	Brushless DC, Auto Cutoff, Auto Restart, Polarity Protected, Electronically Protected	
Bearing System	Ball Bearings	
Dielectric Strength	500VDC/min, <1mA	
Insulation Resistance	≥10M Ohm @ 500 VDC	



Part Number	Rated Voltage (Volts DC)	Voltage Range (Volts DC)	Rated Power (Watts)(Max)	Rated Current (Amps)(Max)	Rated Speed (RPM)	Max Airflow (CFM)	Noise Level (dBA)	Max Static Pressure ("H ₂ O)
OD1238-12HBVXC10A	12	6 ~ 14	39.6 (43.2)	3.3 (3.60)	5000	226.0	65	1.35
OD1238-12MBVXC10A	12	6 ~ 14	24.0 (28.8)	2.0 (2.40)	4000	188.5	59	0.85
OD1238-12LBVXC10A	12	6 ~ 14	18.0 (21.6)	1.5 (1.80)	3000	139.6	52	0.46
OD1238-24HBVXC10A	24	12 ~ 28	40.8 (49.0)	1.7 (2.04)	5000	226.0	65	1.35
OD1238-24MBVXC10A	24	12 ~ 28	26.4 (31.7)	1.1 (1.32)	4000	188.5	59	0.85
OD1238-24LBVXC10A	24	12 ~ 28	14.4 (17.3)	0.6 (0.72)	3000	139.6	52	0.46
OD1238-48HBVXC10A	48	24 ~ 52	62.4 (74.9)	1.3 (1.56)	6000	283.0	70	1.85
OD1238-48MBVXC10A	48	24 ~ 52	48.0 (57.6)	1.0 (1.20)	5000	226.0	65	1.35
OD1238-48MBVXC10A	48	24 ~ 52	28.8 (34.6)	0.6 (0.72)	4000	188.5	59	0.85
OD1238-48LBVXC10A	48	24 ~ 52	18.2 (22.1)	0.38 (0.46)	3000	139.6	52	0.46



PWM Max High Voltage: 5.5V
 PWM Max Sink Current: 5mA
 PWM Frequency Range: 1KHz-100KHz
 PWM Typical Frequency: 25KHz
 RPM at 0% Duty Cycle: 0 RPM
 RPM will be full speed if PWM input is disconnected.
 RPM will be 0 if PWM input is 0V or grounded.
 Tach Max Pullup Voltage: Fan Vcc
 Tach Max Sink Current: 5mA
 Tach Cycles per Rotation: 2