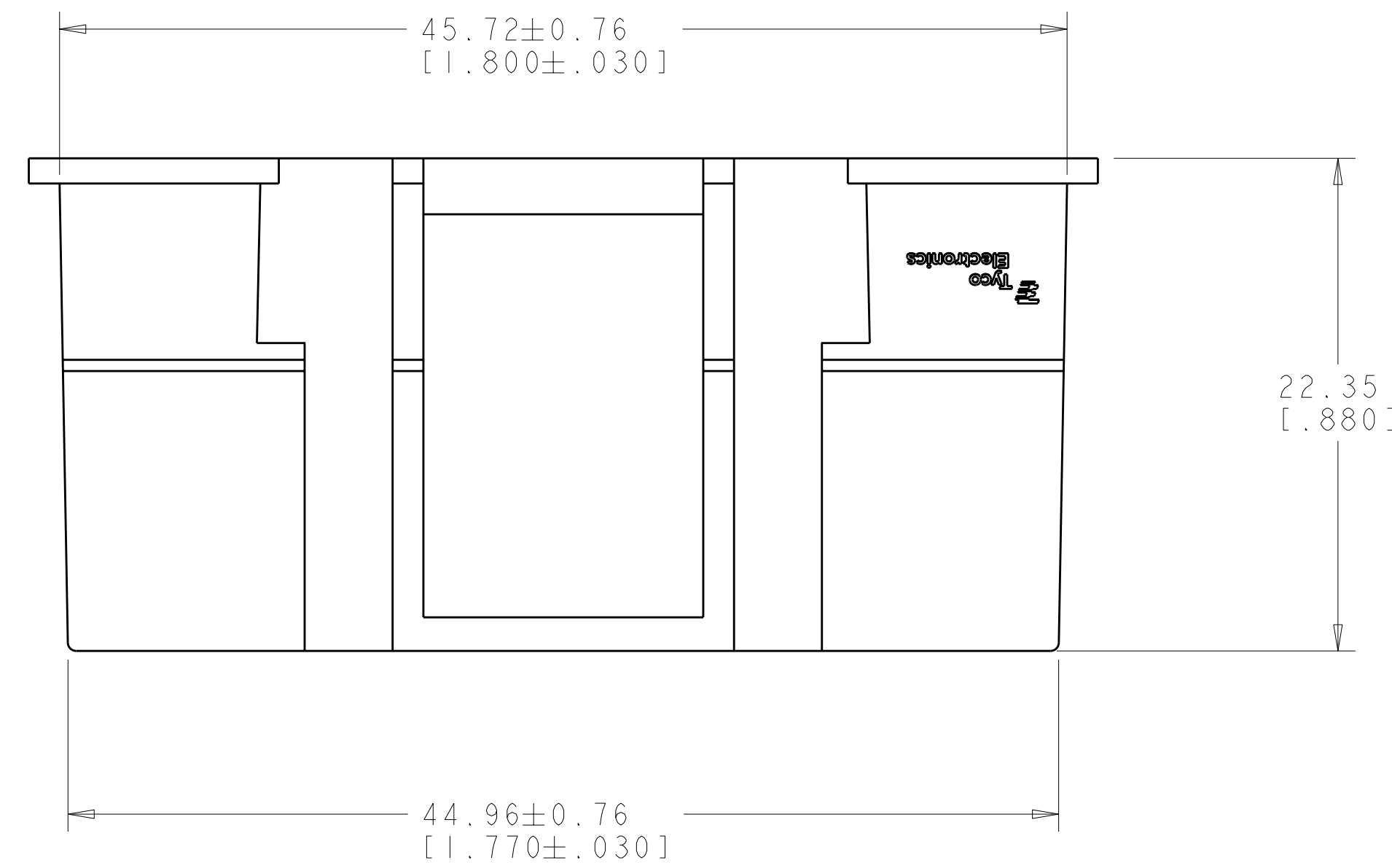
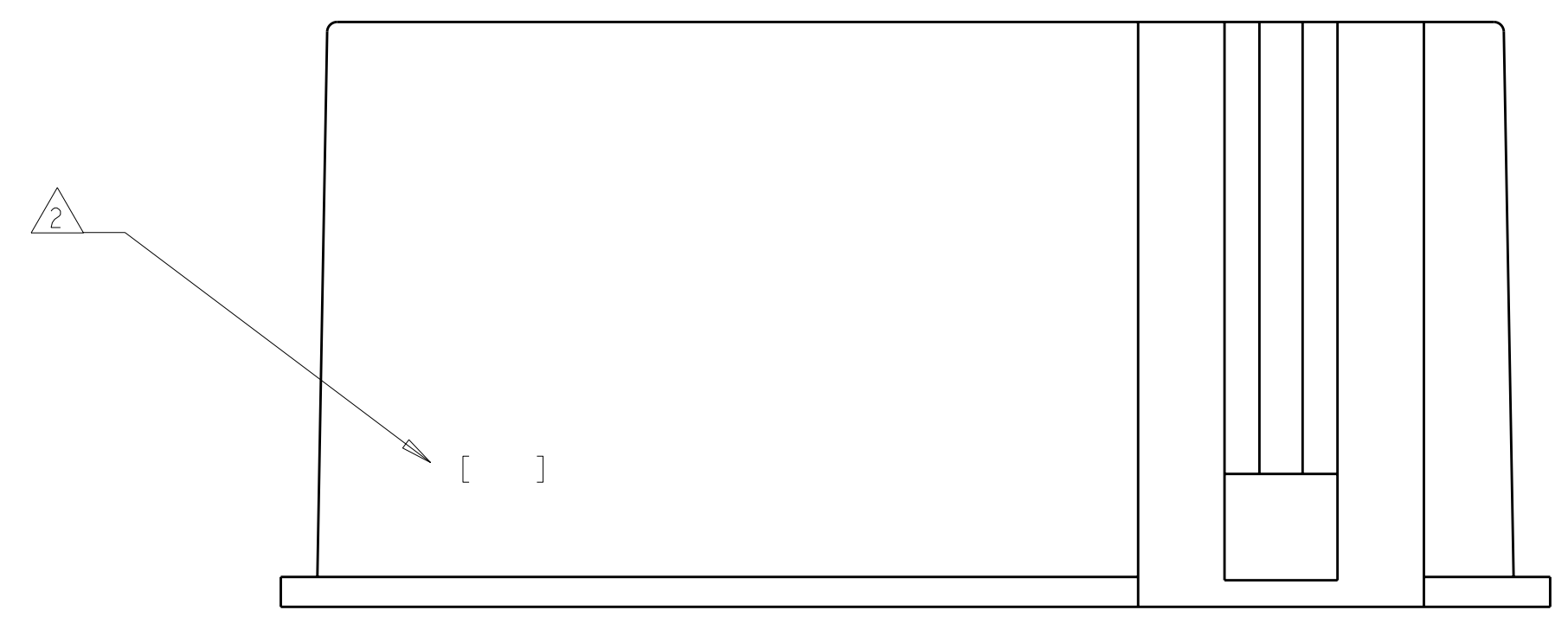
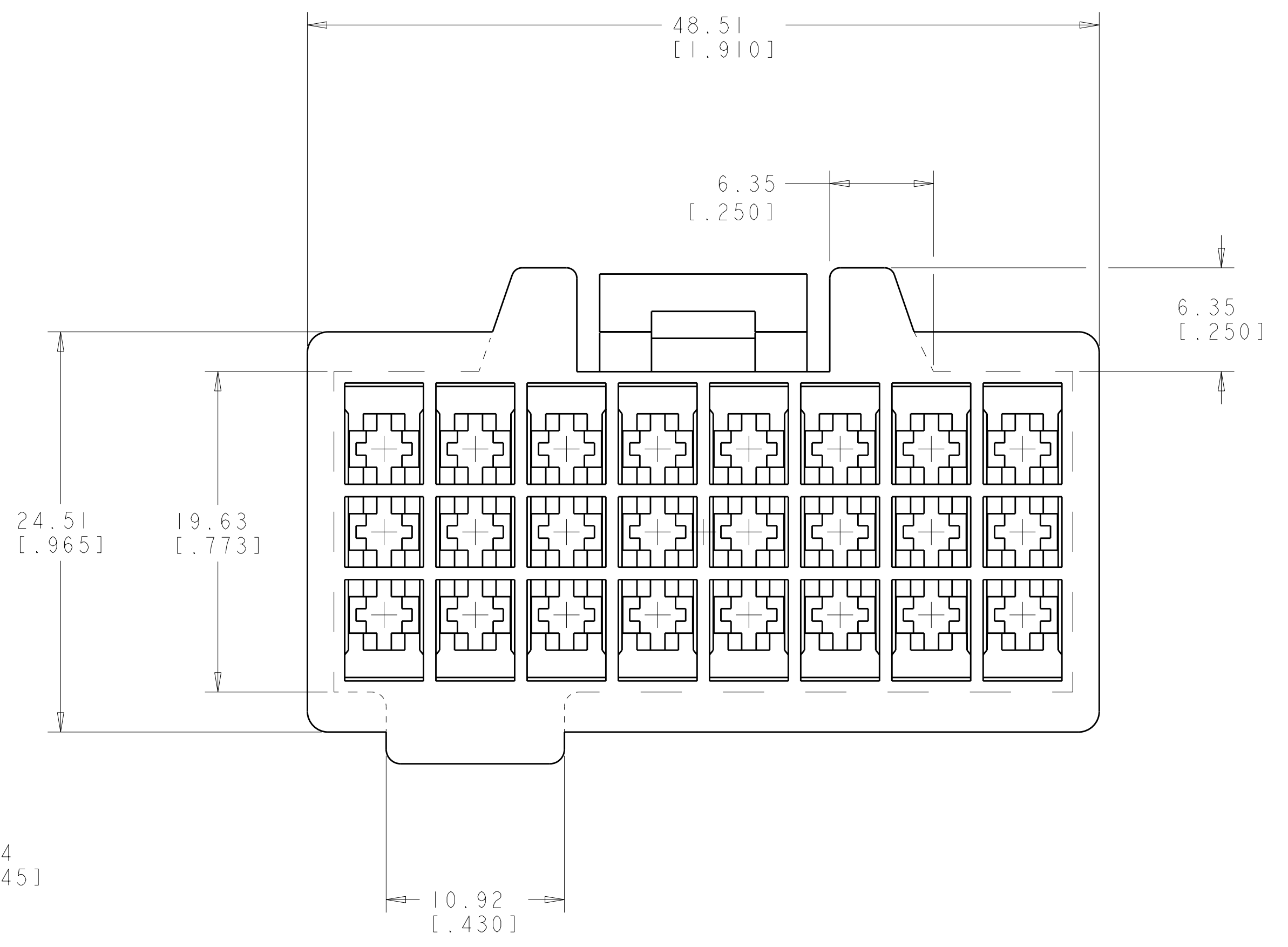
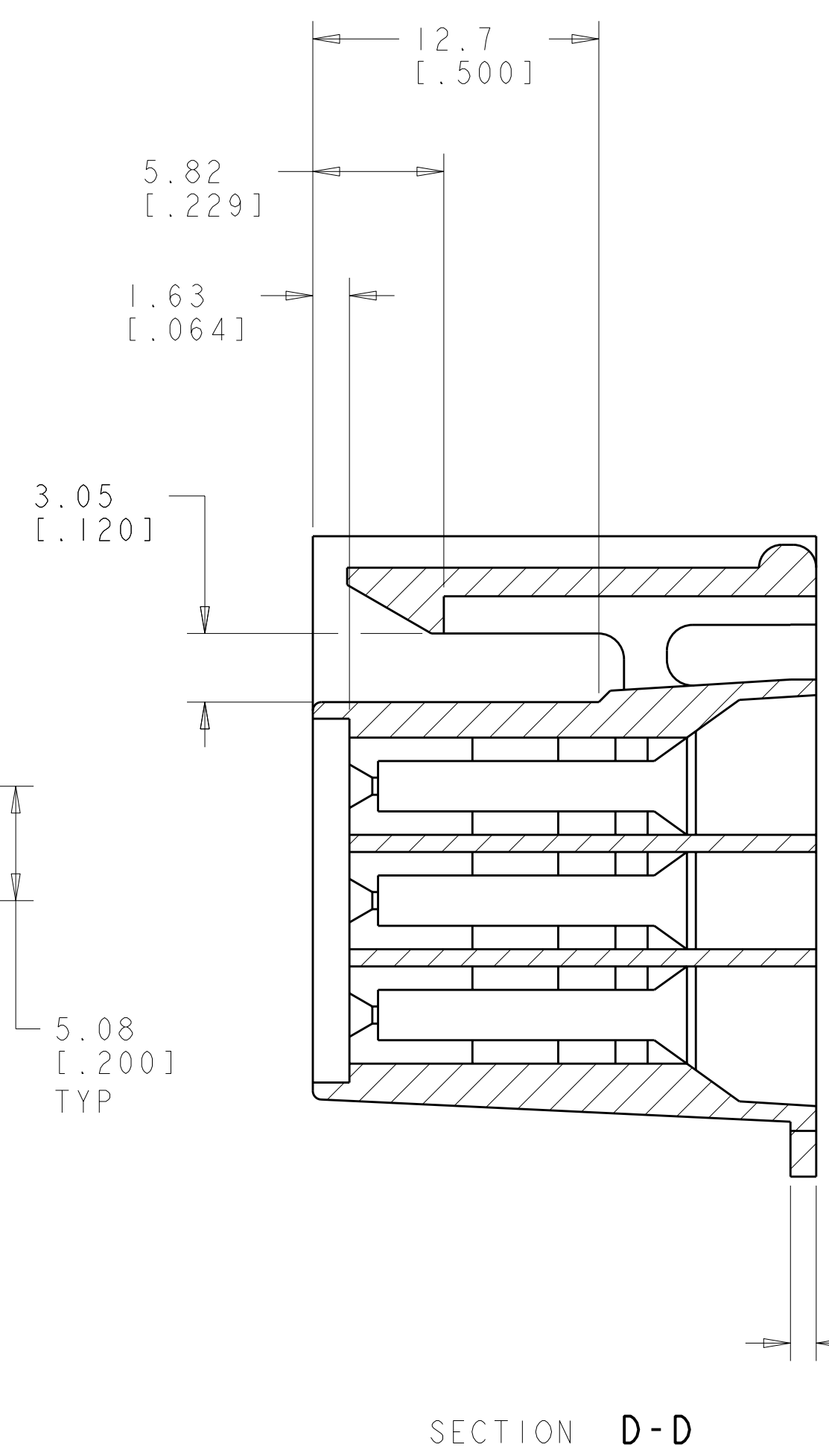
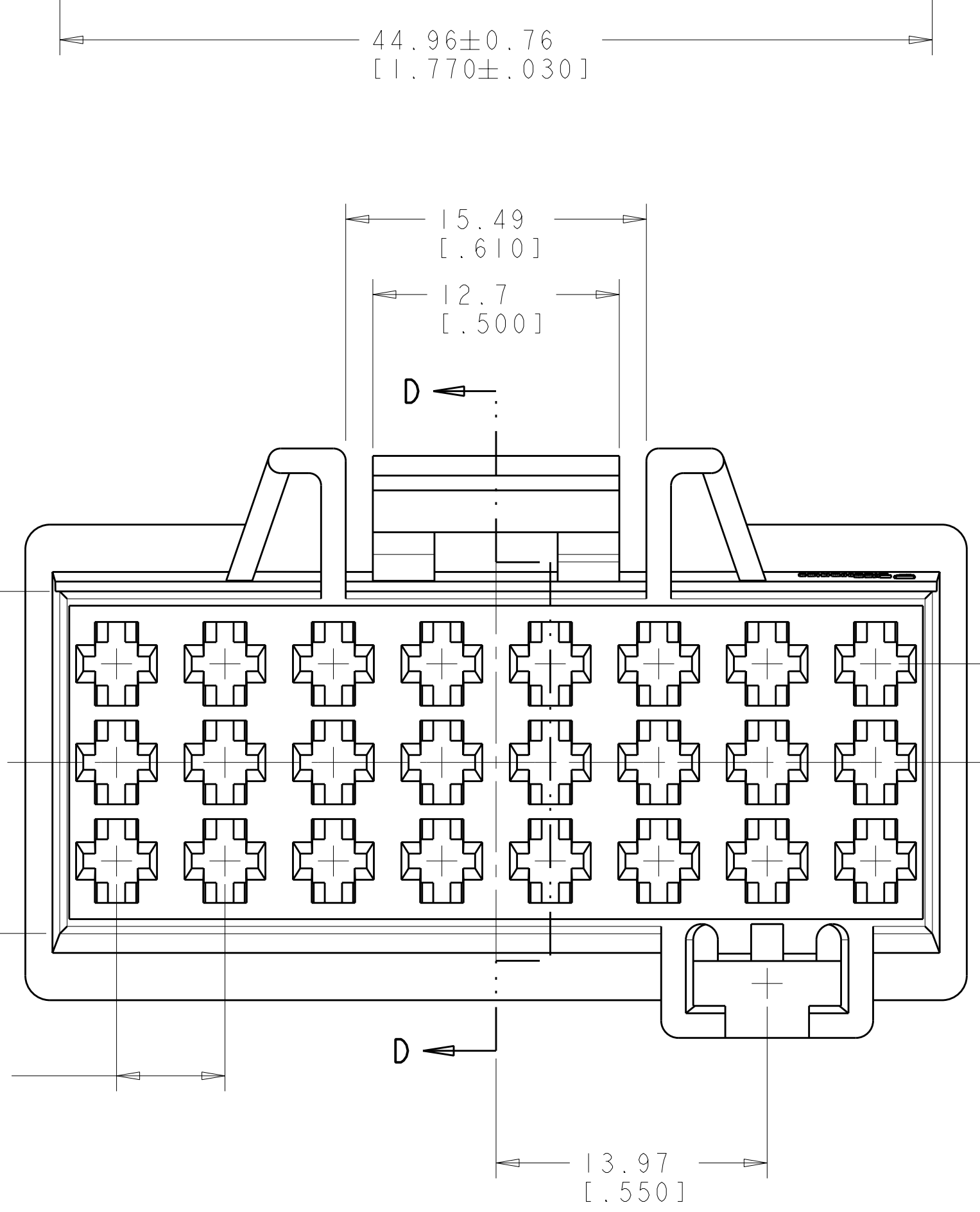


REVOLUTIONS		DATE	DWN	APVD
D	REVISED PER ECR-09-011015	13AUG09	JR	MS
D1	REV PER ECO-09-018906	14AUG2009	RG	MS



- 1 HOUSING ACCEPTS (24) 3.18[.125] RECEPTACLE CONTACT, PART NUMBER: 1217039-1.
- 2 DFE SYMBOL, (SEE TABLE), LOCATED APPROXIMATELY AS SHOWN.
- 3 PRE-PRODUCTION - F.A.S.R. REQUIRED.
- 4 PRELIMINARY - NOT FOR PRODUCTION.



>PA<	BLACK	NYLON, V2	4	521999-2
>PA<	BLACK	NYLON 66/6 UL94 VO	3	521999-1
DFE SYMBOL	COLOR	MATERIAL	PART NUMBER	

DIMENSIONS: mm [INCHES]		TOLERANCES UNLESS OTHERWISE SPECIFIED:		DWN RAGHAVENDRA 05APR2007		Tyco Electronics Harrisburg, PA 17105-3608	
9 PLC ±		0.25 (1.010)		CHK J. KNOLL 06APR2007		NAME	
1 PLC ±				APVD J. KNOLL 06APR2007		HOUSING, 24 POSN. SIDE LATCHED, TIMER CONN.	
3 PLC ±				PRODUCT SPEC		SIZE CAGE CODE DRAWING NO	
5 PLC ±				APPLICATION SPEC		RESTRICTED TO	
4 PLC ±				FINISH		A 100779 C=521999	
ANGLES				WEIGHT		SCALE 4:1 SHEET 1 OF 1 REV D1	
MATERIAL SEE TABLE		FINISH SEE TABLE		CUSTOMER DRAWING			