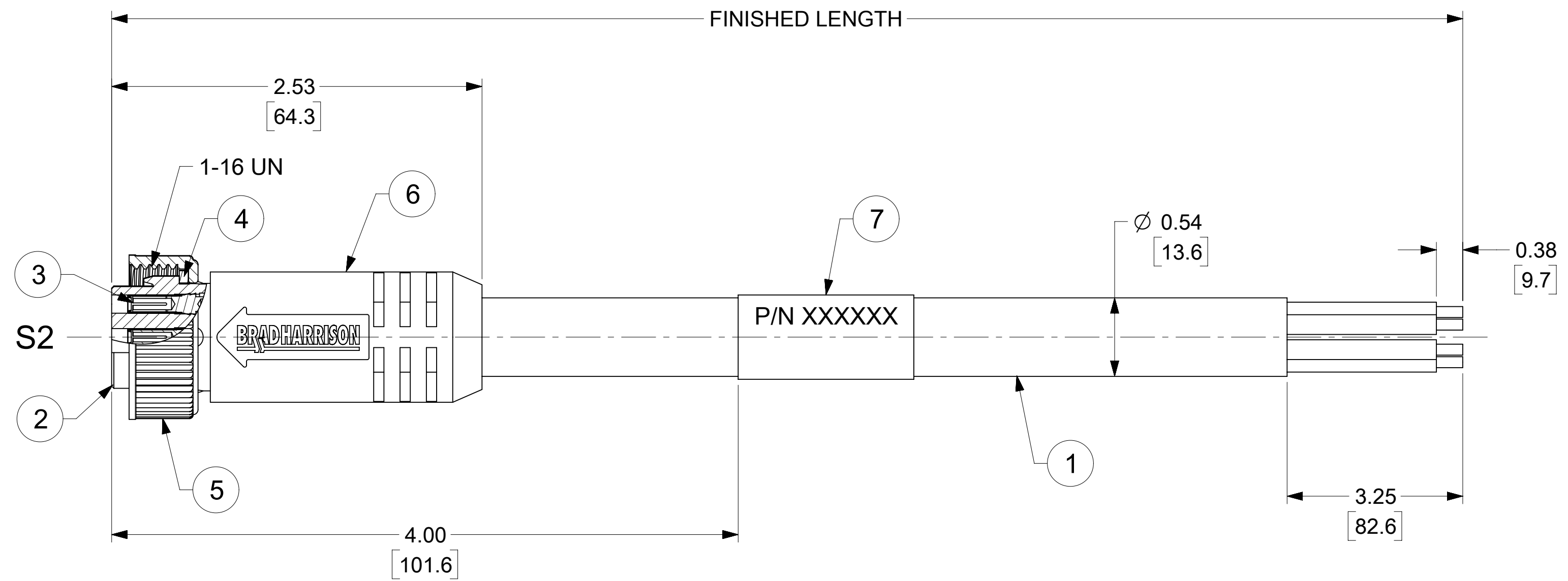
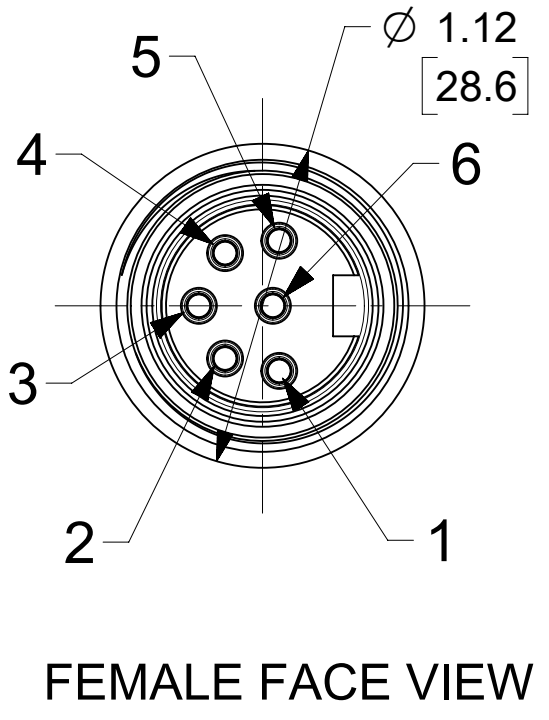
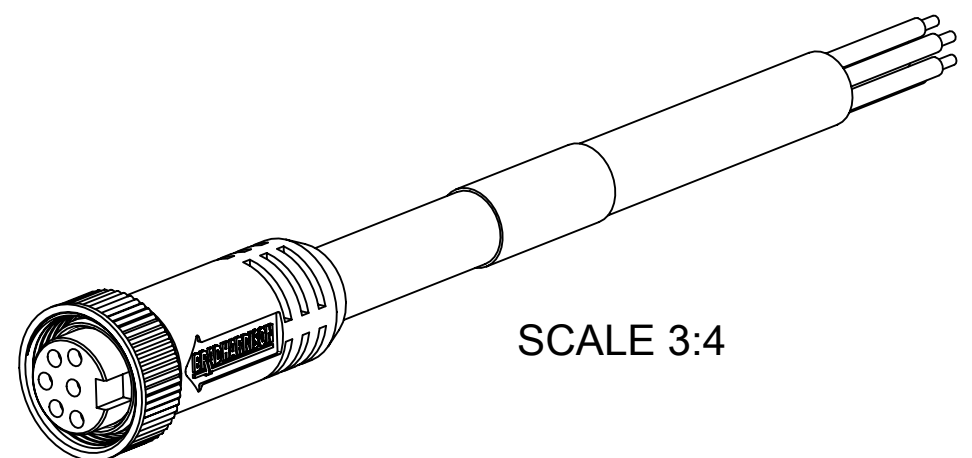


MATERIAL NO.	ENGINEERING NO.	FINISHED LENGTH
1300070022	206000A01F030	3 FT. (0.91 M)
1300070035	206000A01F450	45 FT. (13.71 M)
1300070441	206000A01F800	80 FT. (24.38 M)

CABLE LENGTH TOLERANCES
 <.3M [1FT]: +19mm-0 [+.75in-0]
 .3 - .9M [1 - 3FT]: +44.5mm-0 [+1.75in-0]
 .9 - 1.8M [3 - 6FT]: +55.6mm-0 [+2.19in-0]
 1.8 - 3.7M [6 - 12FT]: +88.9mm-0 [+3.50in-0]
 3.7 - 7.3M [12 - 24FT]: +165.1mm-0 [+6.50in-0]
 7.3-14.6M [24 - 48FT]: +317.5mm-0 [+12.50in-0]
 14.6 - 30.5M [48-100FT]: +622.3mm-0 [+24.50in-0]
 OVER 30M [100FT] +2% OF FINISHED LENGTH



- NOTES:**
- MATERIAL: AS NOTED
 - FINISH: AS NOTED
 - ELECTRICAL:
 VOLTAGE: 400V PER IEC60664 (B)
 600V PER UL2238
 CURRENT: 8A
 - TEMP RATING: -20°C TO +105°C (B)
 - PROTECTION: IP67 (WHEN MATED)
 - CSA CERTIFIED FILE: LR6837 (B)
 - UL RECOGNIZED FILE: E152210 (B)
 - ALL DIMS ARE FOR REFERENCE UNLESS TOLERANCED OR NOTED OTHERWISE

WIRING DIAGRAM

S2	Color
1	ORANGE
2	BLUE
3	BLACK
4	WHITE
5	RED
6	GREEN/YELLOW

PART NUMBER LEGEND (B)

206000A01F060

FINISHED LENGTH
 F001= .1 FT
 F020= 2 FT
 F200= 20 FT

ITEM	DESCRIPTION	MATERIAL	FINISH
7	WRAP LABEL	VINYL	BLACK/YELLOW (B)
6	OVERMOLD	TPE	YELLOW (B)
5	COUPLING NUT	ZINC DIE CAST	BLACK E-COAT (B)
4	FRICTION RING	NYLON	WHITE (B)
3	SOCKET CONTACT	Cu ALLOY	GOLD OVER NICKEL (B)
2	FEMALE INSERT	TPE	YELLOW (B)
1	CABLE, 16-6, STOOV/ST	PVC JACKET	YELLOW (B)
7	WRAP LABEL	VINYL	BLACK/YELLOW (B)
6	OVERMOLD	TPE	YELLOW (B)
5	COUPLING NUT	ZINC DIE CAST	BLACK E-COAT (B)
4	FRICTION RING	NYLON	WHITE (B)
3	SOCKET CONTACT	Cu ALLOY	GOLD OVER NICKEL (B)
2	FEMALE INSERT	TPE	YELLOW (B)
1	CABLE, 16-6, STOOV/ST	PVC JACKET	YELLOW (B)
7	WRAP LABEL	VINYL	BLACK/YELLOW (B)
6	OVERMOLD	TPE	YELLOW (B)
5	COUPLING NUT	ZINC DIE CAST	BLACK E-COAT (B)
4	FRICTION RING	NYLON	WHITE (B)
3	SOCKET CONTACT	Cu ALLOY	GOLD OVER NICKEL (B)
2	FEMALE INSERT	TPE	YELLOW (B)
1	CABLE, 16-6, STOOV/ST	PVC JACKET	YELLOW (B)
7	WRAP LABEL	VINYL	BLACK/YELLOW (B)
6	OVERMOLD	TPE	YELLOW (B)
5	COUPLING NUT	ZINC DIE CAST	BLACK E-COAT (B)
4	FRICTION RING	NYLON	WHITE (B)
3	SOCKET CONTACT	Cu ALLOY	GOLD OVER NICKEL (B)
2	FEMALE INSERT	TPE	YELLOW (B)
1	CABLE, 16-6, STOOV/ST	PVC JACKET	YELLOW (B)
7	WRAP LABEL	VINYL	BLACK/YELLOW (B)
6	OVERMOLD	TPE	YELLOW (B)
5	COUPLING NUT	ZINC DIE CAST	BLACK E-COAT (B)
4	FRICTION RING	NYLON	WHITE (B)
3	SOCKET CONTACT	Cu ALLOY	GOLD OVER NICKEL (B)
2	FEMALE INSERT	TPE	YELLOW (B)
1	CABLE, 16-6, STOOV/ST	PVC JACKET	YELLOW (B)
7	WRAP LABEL	VINYL	BLACK/YELLOW (B)
6	OVERMOLD	TPE	YELLOW (B)
5	COUPLING NUT	ZINC DIE CAST	BLACK E-COAT (B)
4	FRICTION RING	NYLON	WHITE (B)
3	SOCKET CONTACT	Cu ALLOY	GOLD OVER NICKEL (B)
2	FEMALE INSERT	TPE	YELLOW (B)
1	CABLE, 16-6, STOOV/ST	PVC JACKET	YELLOW (B)

FUNCTIONAL SYMBOLS	THIS DRAWING CONTAINS INFORMATION THAT IS PROPRIETARY TO MOLEX ELECTRONIC TECHNOLOGIES, LLC AND SHOULD NOT BE USED WITHOUT WRITTEN PERMISSION			
	DIMENSION UNITS	SCALE		CURRENT REV DESC: ITEM 2,6 WERE PVC & 7 WAS PLASTIC FILM, 3 & 4 REDUCED TO 1. ADDED CSA, IEC VOLT, TEMP & IP RATING, TOL. CHART & P/N LEGEND. MODIFIED P/N TABLE.
	$\frac{F}{A} = 0$	INCH/MM	1.5:1	
	GENERAL TOLERANCES (UNLESS SPECIFIED)			
$\frac{F}{C} = 0$				
DIVISIONAL SYMBOLS	4 PLACES	±	±	EC NO: 709714 DRWN: VHANDI 2021/06/02 CHK'D: RSTONE 2022/06/08 APPR: BWOODMAN 2022/06/14
	3 PLACES	±	±	
	2 PLACES	±	±	
	1 PLACE	±	±	
0 PLACES	±	±	INITIAL REVISION:	
ANGULAR TOL	±	°	DRWN: RSTONE 2009/04/03 APPR: JFMURPHY 2009/04/08	
DRAFT WHERE APPLICABLE MUST REMAIN WITHIN DIMENSIONS		THIRD ANGLE PROJECTION	DRAWING	SERIES
			C-SIZE	130007

DOCUMENT NUMBER			DOC TYPE	DOC PART	REVISION
SD-130007-001			PSD	001	B
MATERIAL NUMBER	CUSTOMER	SHEET NUMBER			
SEE TABLE	GENERAL MARKET	1 OF 1			