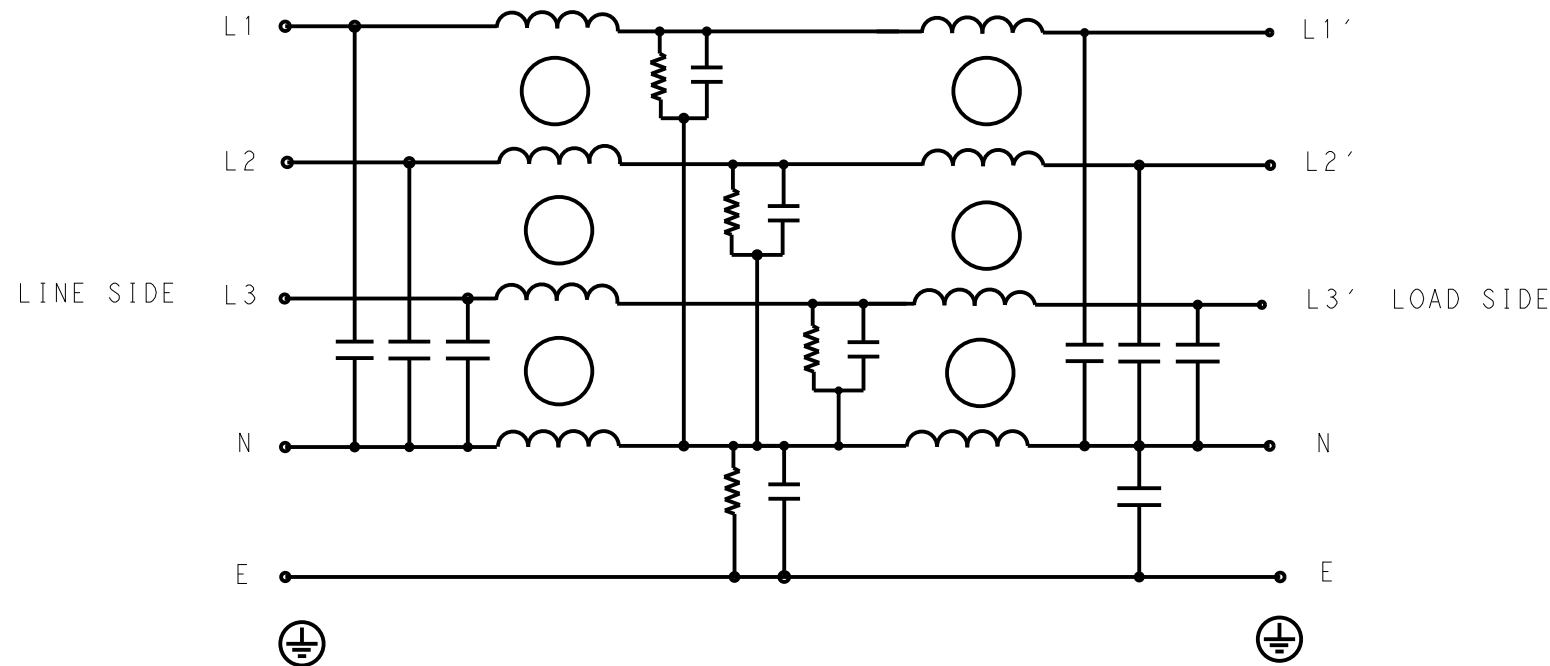


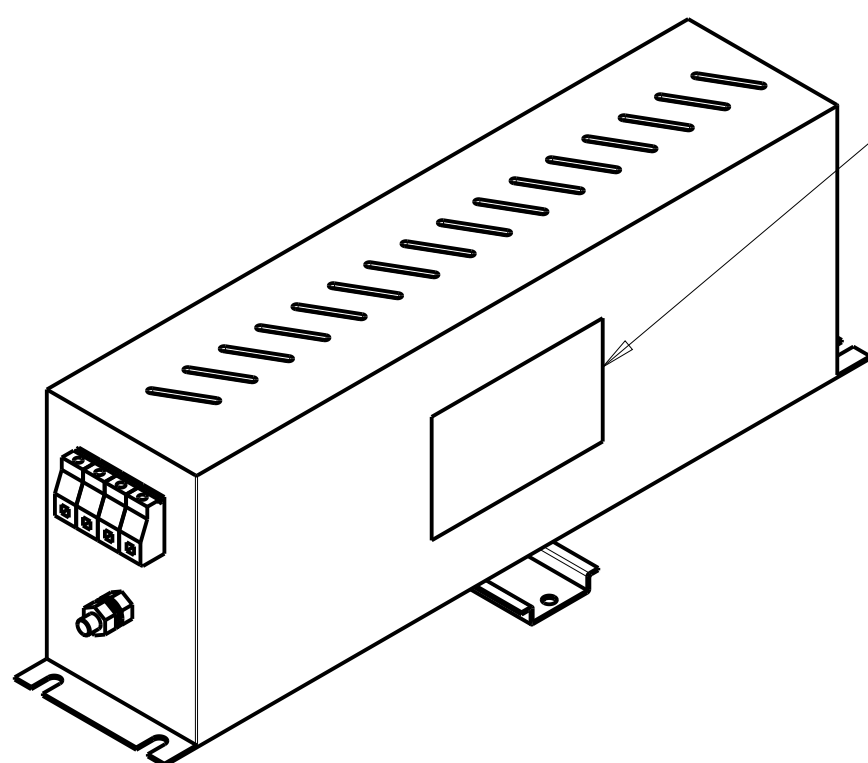
P	LTR	DESCRIPTION	DATE	DWN	APVD
	A	INITIAL RELEASE	21APR2021	SR	CB



SCHMATIC

TYPICAL INSERTION LOSS  
COMMON MODE 50/50Ω; DIFFERENTIAL MODE 50/50Ω

MHz	0.01	0.05	0.15	0.5	1	3	5	10	30
CM	49	50	60	79	77	64	56	48	34
DM	31	34	48	83	80	57	45	23	25



LABEL TO TE MARKING SPECIFICATION

SAFETY ORGANIZATIONS

THIS FILTER WILL BE FORMALLY RECOGNIZED, CERTIFIED OR APPROVED BY THE LISTED AGENCY. THEREFORE, ALL TEST/REQUIREMENTS SPECIFIED IN THE LATEST REVISION OF THE FOLLOWING AGENCY STANDARDS WILL BE MET:

UL APPROVED 30A 520V 50Hz/60Hz 50°C  
CSA APPROVED 30A 520V 50Hz/60Hz 50°C

OPERATING SPECIFICATION

LINE CURRENT/VOLTAGE: 30A, 520VAC  
LINE FREQUENCY: 50/60Hz

MAXIMUM LEAKAGE CURRENT: 5mA @ 230VAC, 50Hz

OPERATING AMBIENT TEMPERATURE RANGE @ RATED CURRENT: -10°C TO +50°C

IN AN AMBIENT, T<sub>a</sub>, HIGHER THAN 50°C, THE MAXIMUM OPERATING CURRENT, I<sub>o</sub>, IS AS FOLLOWS:

$$I_o = I_r \sqrt{\frac{105 - T_a}{55}}$$

RELIABILITY SPECIFICATIONS

STORAGE TEMPERATURE: -40°C TO +85°C  
HUMIDITY: 21 DAYS @ 40°C AND 95% RH

TEST SPECIFICATIONS

INDUCTANCE, NOMINAL: 4.8mH

CAPACITANCE @ 1kHz

NEUTRAL TO GROUND, NOMINAL: 1μF  
LINE TO NEUTRAL, NOMINAL: 3μF

DISCHARGE RESISTOR

L/L I.R. 2MΩ 1W  
L/N I.R. 1.5MΩ 1W  
L/G I.R. 2MΩ 1W  
N/G I.R. 680KΩ 1W  
IR (NO DISCHARGE RESISTOR) 20°C, 50% RH AND 100VDC, MIN: 6MΩ

RECOMMENDED RECEIVING INSPECITON HIPOT

LINE TO GROUND FOR 1 MINUTE: 2856VDC  
LINE TO LINE FOR 1 MINUTE: 2236VDC  
LINE TO NEUTRAL FOR 1 MINUTE: 1290VDC

FILTER APPROVAL

THE BEST WAY TO SELECT AND QUALIFY A FILTER IS FOR YOUR ENGINEERING TO TEST THE UNIT IN YOUR EQUIPMENT.

THIS DRAWING IS A CONTROLLED DOCUMENT.		DWN SUPREETH R 21APR2021				
		CHK CHRIS BOLLE 21APR2021				
		APVD CHRIS BOLLE 21APR2021				
		NAME POWER LINE FILTER FOR DIN 35 RAIL INSTALLATION 30KEVD10BBSWHM				
DIMENSIONS: mm		PRODUCT SPEC -	SIZE A3	CAGE CODE 00779	DRAWING NO C-6-1609998-2	RESTRICTED TO -
TOLERANCES UNLESS OTHERWISE SPECIFIED:		APPLICATION SPEC -	SCALE 2:5		SHEET 1 OF 2	REV A
0 PLC ±-		WEIGHT -	CUSTOMER DRAWING			
1 PLC ±0.5						
2 PLC ±0.40						
3 PLC ±0.130						
4 PLC ±0.0500						
ANGLES ±-						
MATERIAL -						
FINISH -						

© 2021 TE Connectivity. All Rights Reserved.

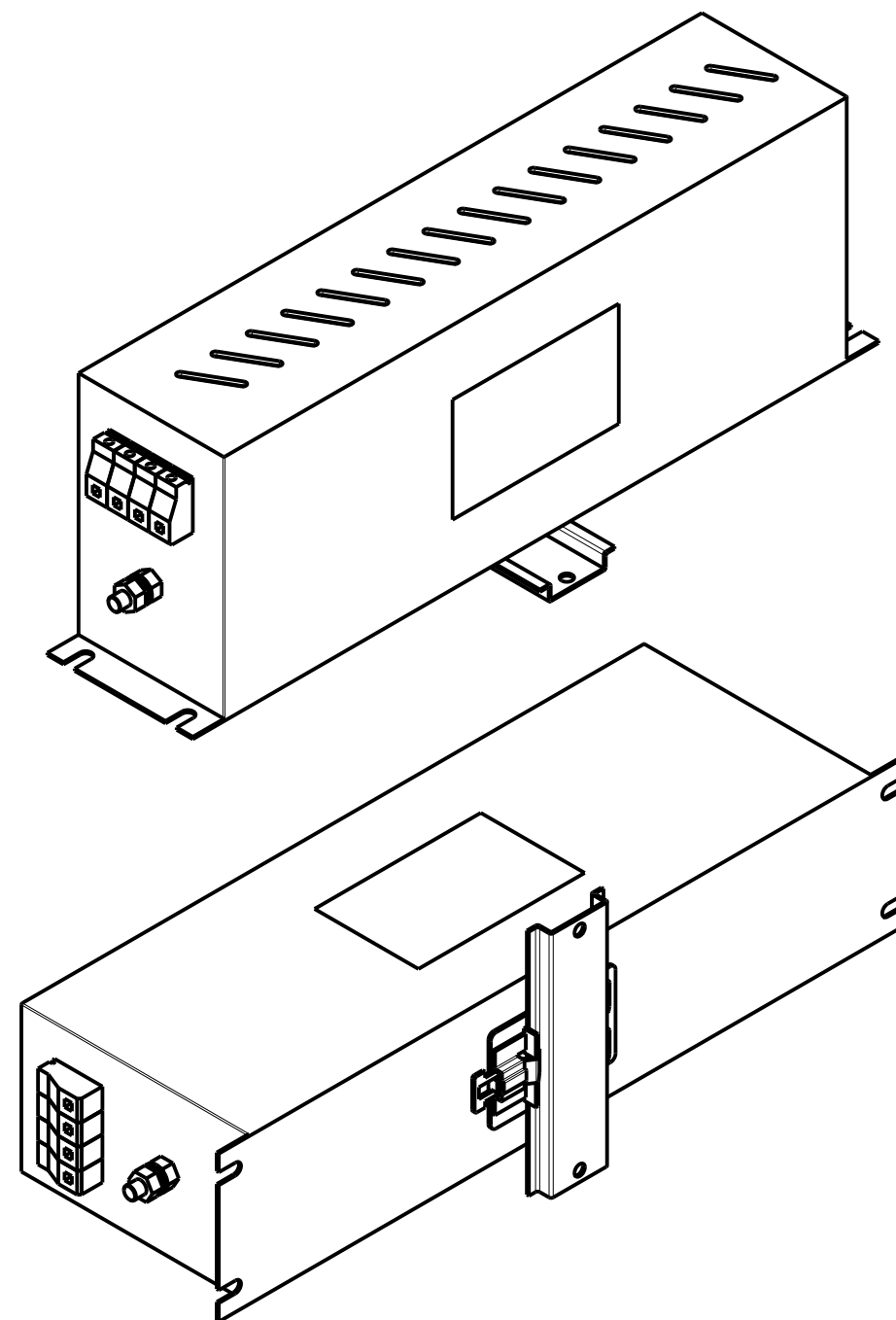
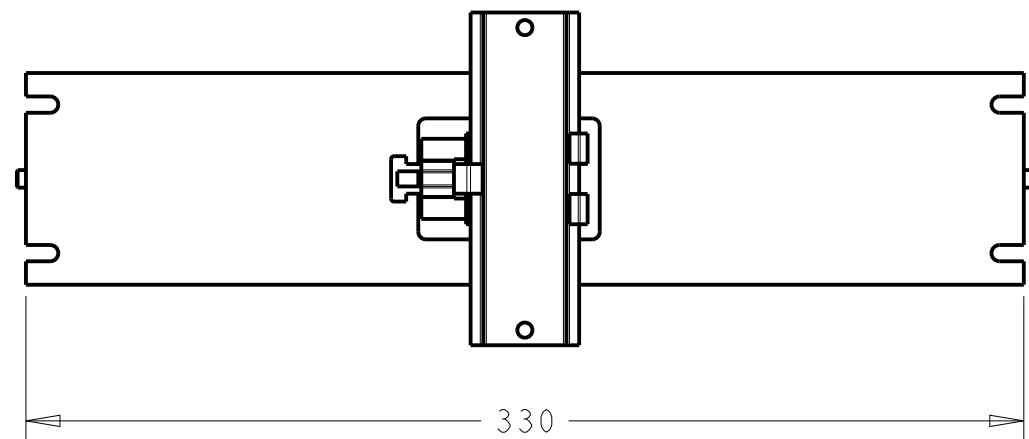
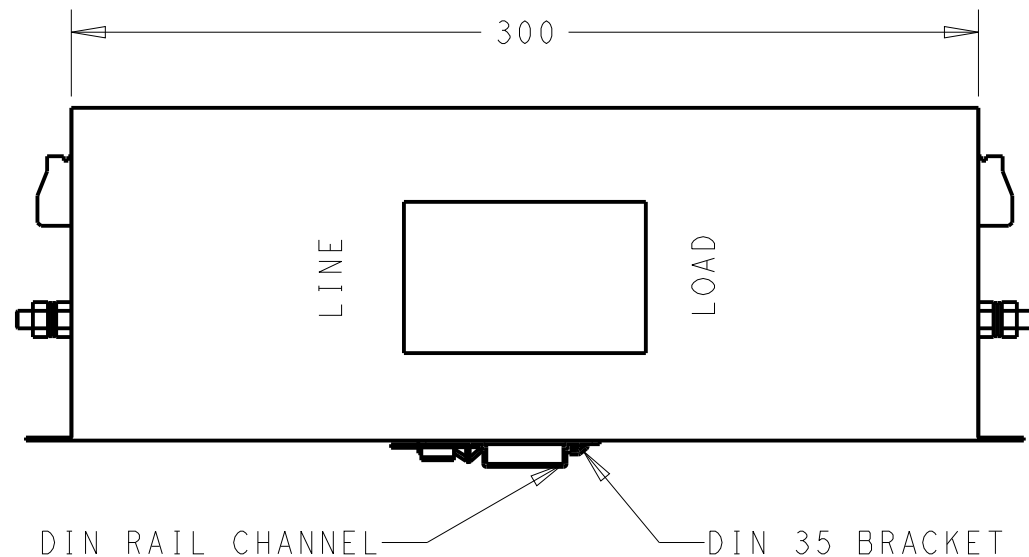
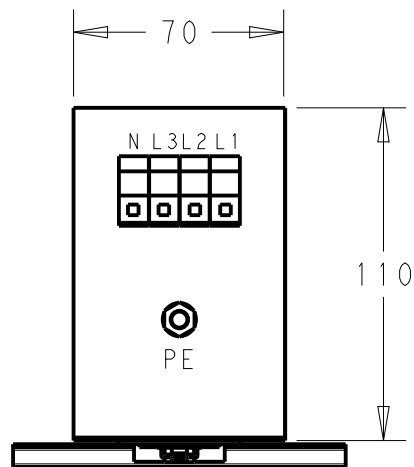
NOTE 1 GROUND CONNECTION:  
 FOR ELECTRICAL SAFETY AND FILTER PERFORMANCE  
 UNIT MUST HAVE A GOOD GROUND CONNECTION.  
 TORQUE OUTER TERMINAL SCREWS: 0.5Nm / 4.5 in.lbs  
 TORQUE GROUND NUTS: 2.5-3Nm

NOTE 2 INPUT OUTPUT CONNECTION TERMINAL  
 AWG SIZE: 26-12 AWG  
 WIRE SECTION: 4 mm<sup>2</sup>  
 THREADED BOLT SIZE FOR GROUND: M6

NOTE 3 SUPPLIED WITH DIN RAIL BRACKET.

NOTE 4 DRAWING SHOWS DIN RAIL FOR REFERENCE ONLY.

REVISIONS					
P	LTR	DESCRIPTION	DATE	DWN	APVD
		SEE SHEET 1			



THIS DRAWING IS A CONTROLLED DOCUMENT.		DWN SUPREETH R 21APR2021		
		CHK CHRIS BOLLE 21APR2021		
		APVD CHRIS BOLLE 21APR2021	NAME POWER LINE FILTER FOR DIN 35 RAIL INSTALLATION 30KEVD10BBSWHM	
DIMENSIONS: mm		PRODUCT SPEC -	SIZE A300779	
TOLERANCES UNLESS OTHERWISE SPECIFIED: 0 PLC ±0.5 1 PLC ±0.40 2 PLC ±0.130 3 PLC ±0.0500 4 PLC ANGLES ±		APPLICATION SPEC -	CAGE CODE G-6-1609998-2	
MATERIAL -		WEIGHT -	RESTRICTED TO -	
		CUSTOMER DRAWING	SCALE 2:5	SHEET 2 OF 2
			REV A	