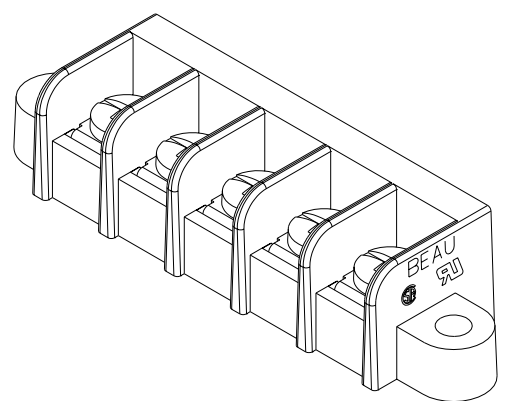
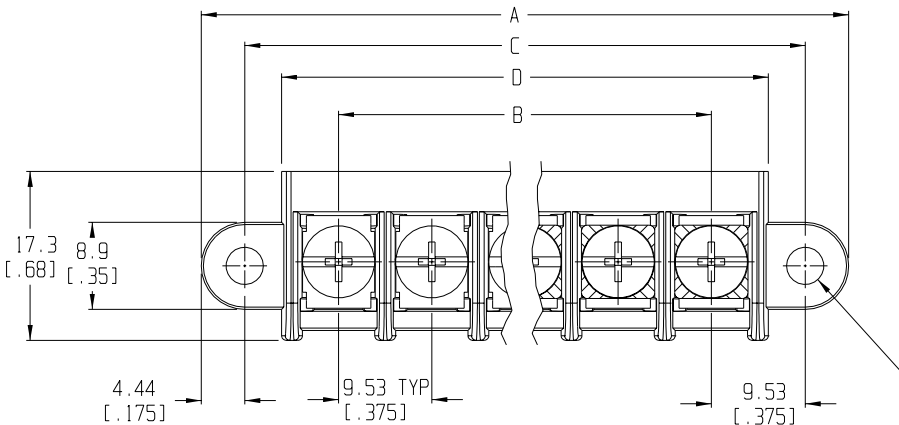
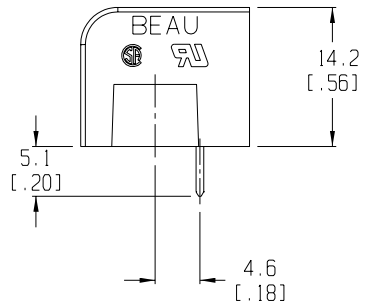
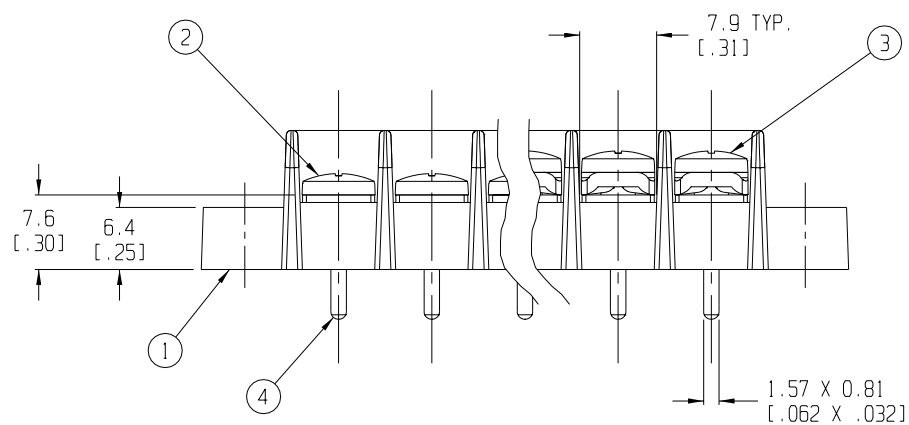


RECOMMENDED PTH PATTERN  
SCALE 1:1



5 CIRCUIT SHOWN  
Ø3.81 2 HOLES [.150]



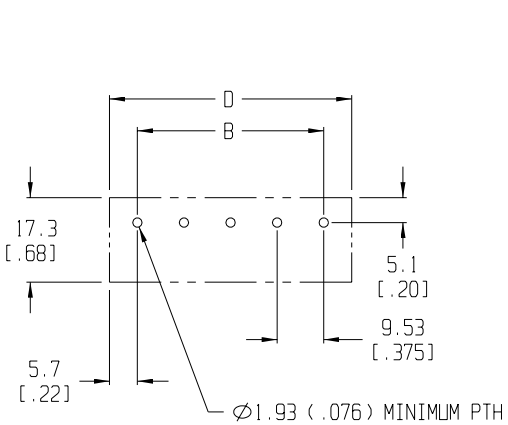
- NOTES:
1. MATERIAL: SEE TABLE
  2. FINISHES: SEE TABLE
  3. PRODUCT SPECIFICATION: UL & CSA, 12-24 AWG
  4. PACKAGING: NOT REQUIRED
  5. MATES WITH: NONE
  6. "XX" REFERS TO QTY. OF CIRCUITS
  7. LENGTH TABLE SHOWN ON SHEET 2
  8. REFER TO SD-38120-001 (-10A THRU -10D AND -11A THRU -11D) OR SD-38120-002 (-10AT THRU -10DT AND -11AT THRU -11DT) FOR OPTIONAL IMPRINTING.

ITEM	QTY.	DESCRIPTION	MATERIAL	FINISH
4	XX	TERMINAL	BRASS	TIN PLATE
3	XX	SCREW & WASHER (-50 OPT)	STEEL	ZINC CHROMATE
2	XX	SCREW (STD.)	STEEL	ZINC CHROMATE
1	1	BARRIER TERMINAL STRIP	THERMOPLASTIC	BLACK

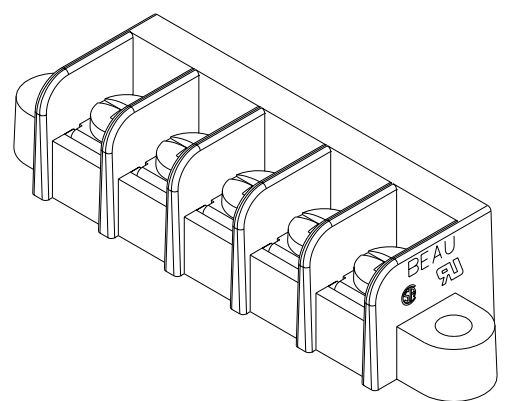
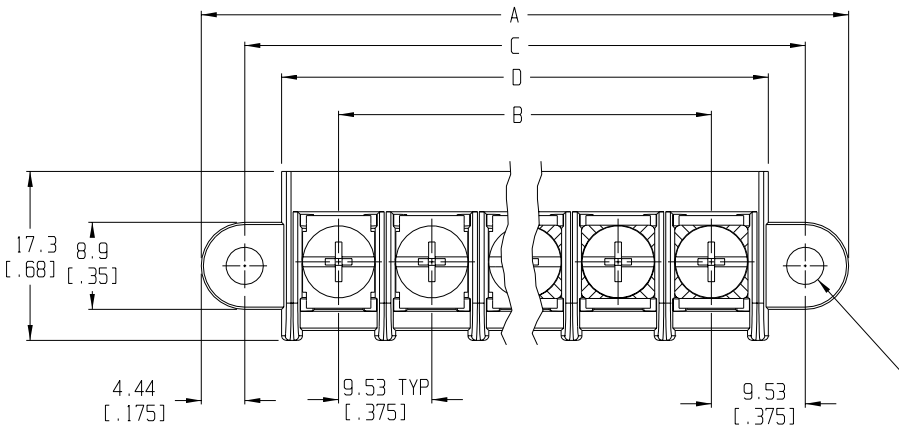
EC NO. RELEASED DRWN: CLY CHK: APPR: REV A	DESCRIPTION MAJOR CRITICAL SPC S	GENERAL TOLERANCES: (UNLESS SPECIFIED)	SCALE 2:1	DESIGN UNITS <input type="checkbox"/> mm <input checked="" type="checkbox"/> INCH	THIRD ANGLE PROJECTION	PROJECT NO. - DIMENSIONS: <input checked="" type="checkbox"/> mm <input type="checkbox"/> INCH <input type="checkbox"/> mm ONLY	I - SHT REV
		4 PLACES ±.0015 3 PLACES ±.038 ±.005 2 PLACES ±.13 ±.01 1 PLACE ±.3	DRAWN BY & DATE C. YORK 7-29-03	TITLE: SR BTS, PC TERMINAL		REVISE ON CAD ONLY	
		ANGULAR: ±2°	CHECKED BY & DATE APPROVED BY & DATE	MOLEX INCORPORATED			
		DRAFT WHERE APPLICABLE MUST REMAIN WITHIN DIMENSIONS	CAD FILENAME 755XX	MATERIAL NO. SEE SHEET 2	DRAWING NO. SD-38750-001	SHEET NO. 1 OF 2	

THIS DRAWING CONTAINS INFORMATION THAT IS PROPRIETARY TO MOLEX INCORPORATED AND SHOULD NOT BE USED WITHOUT WRITTEN PERMISSION.

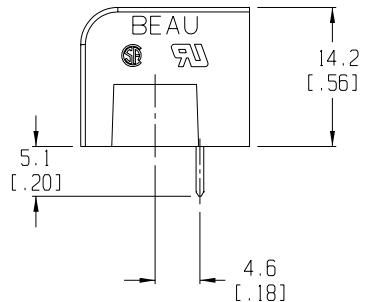
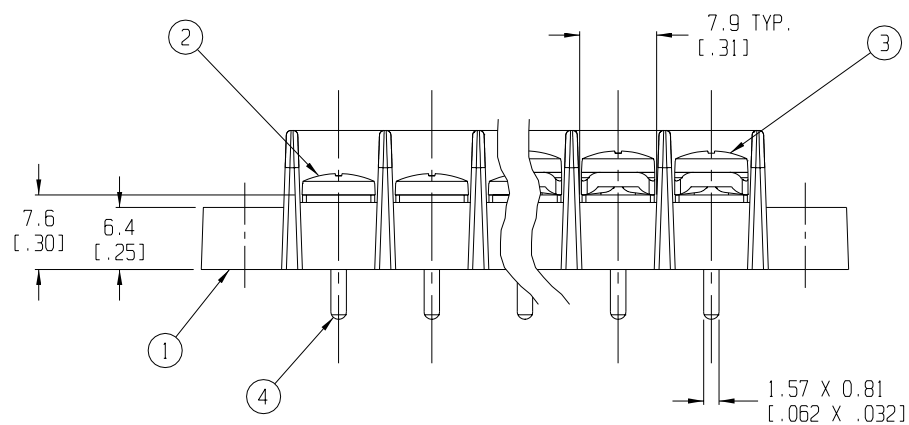
10	9	8	7	5	4	3	2	1
----	---	---	---	---	---	---	---	---



RECOMMENDED PTH PATTERN  
SCALE 1:1



5 CIRCUIT SHOWN  
Ø3.81 2 HOLES [.150]



- NOTES:
1. MATERIAL: SEE TABLE
  2. FINISHES: SEE TABLE
  3. PRODUCT SPECIFICATION: UL & CSA, 12-24 AWG
  4. PACKAGING: NOT REQUIRED
  5. MATES WITH: NONE
  6. "XX" REFERS TO QTY. OF CIRCUITS
  7. LENGTH TABLE SHOWN ON SHEET 2
  8. REFER TO SD-38120-001 (-10A THRU -10D AND -11A THRU -11D) OR SD-38120-002 (-10AT THRU -10DT AND -11AT THRU -11DT) FOR OPTIONAL IMPRINTING.

ITEM	QTY.	DESCRIPTION	MATERIAL	FINISH
4	XX	TERMINAL	BRASS	TIN PLATE
3	XX	SCREW & WASHER (-50 OPT)	STEEL	ZINC CHROMATE
2	XX	SCREW (STD.)	STEEL	ZINC CHROMATE
1	1	BARRIER TERMINAL STRIP	THERMOPLASTIC	BLACK

EC NO. RELEASED DRWN: CLY CHK: APPR: REV A	DESCRIPTION MAJOR CRITICAL SPC	QUALITY SYMBOLS	GENERAL TOLERANCES: (UNLESS SPECIFIED)	SCALE 2:1	DESIGN UNITS <input type="checkbox"/> mm <input checked="" type="checkbox"/> INCH	<input checked="" type="checkbox"/> THIRD ANGLE <input type="checkbox"/> PROJECTION	PROJECT NO. -	I - SHT REV
		4 PLACES ±.0015	3 PLACES ±.038 ±.005	DRAWN BY & DATE C. YORK 7-29-03	TITLE: SR BTS, PC TERMINAL			
		2 PLACES ±.13 ±.01	1 PLACE ±.3	CHECKED BY & DATE	MOLEX INCORPORATED			
		ANGULAR: ±2°	DRAFT WHERE APPLICABLE MUST REMAIN WITHIN DIMENSIONS	APPROVED BY & DATE	CAD FILENAME 755XX	MATERIAL NO. SEE SHEET 2	DRAWING NO. SD-38750-001	SHEET NO. 1 OF 2

THIS DRAWING CONTAINS INFORMATION THAT IS PROPRIETARY TO MOLEX INCORPORATED AND SHOULD NOT BE USED WITHOUT WRITTEN PERMISSION.