



AC Fans
DC Fans



AC Blowers
DC Blowers



AC Impellers
DC Impellers



AC Motors



Accessories

Search

- Part/Model #
- Stock Check
- Cross-Reference
- Keyword

Find Fans

More Products

- Heat Sinks
- Fan Accessories
- Engineering Tools
 - Airflow Calculator
 - Thermal Calculator
 - Unit Conversions
 - Application Notes
- Custom Solutions
- Company Info
 - Contact Info
 - Technical Capability
 - Certifications
 - Terms & Conditions
 - Employment Ops

Gateway Online

Phone: 619.651.2000

Distributors

Find a Rep

Contact Us

Flight LT - **CR0512HB-** **-032648-** **No**
52x10 - **G90** - **(Part #)** **(In Stock)**
 (Family) (Model)



Electrical Specifications

| | |
|----------------------|-------------------|
| Operating Voltage: | 12 Volts |
| Voltage Range: | 10.8 - 13.2 Volts |
| Power Supply: | 1.0 Watts |
| Line Current: | 0.08 Amps |
| Locked Rotor Current | 0.08 Amps |
| Nominal Speed: | 3800 RPM |

Mechanical Specifications

| | |
|------------------------|-----------------|
| Dimensions: | 52 x 52 x 10 mm |
| Weight | 24 g |
| Max Airflow @ 0 Pascal | 4.63 L/s |
| Max Pressure @ 0 L/s | 19.9 P |
| Noise | 28.6 dBA |

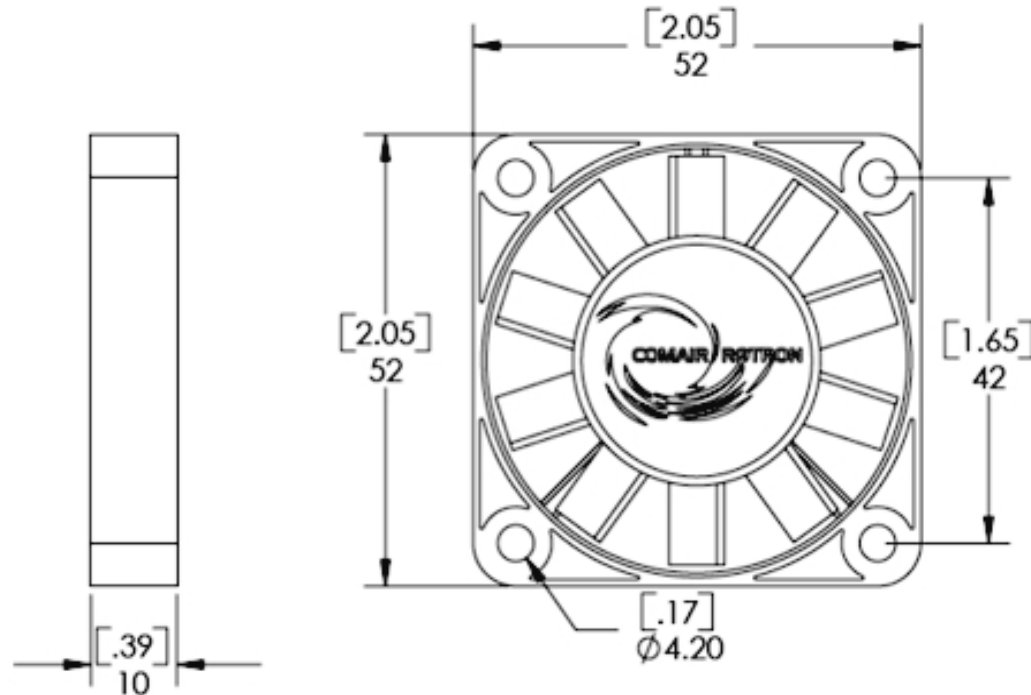


Detailed Drawing

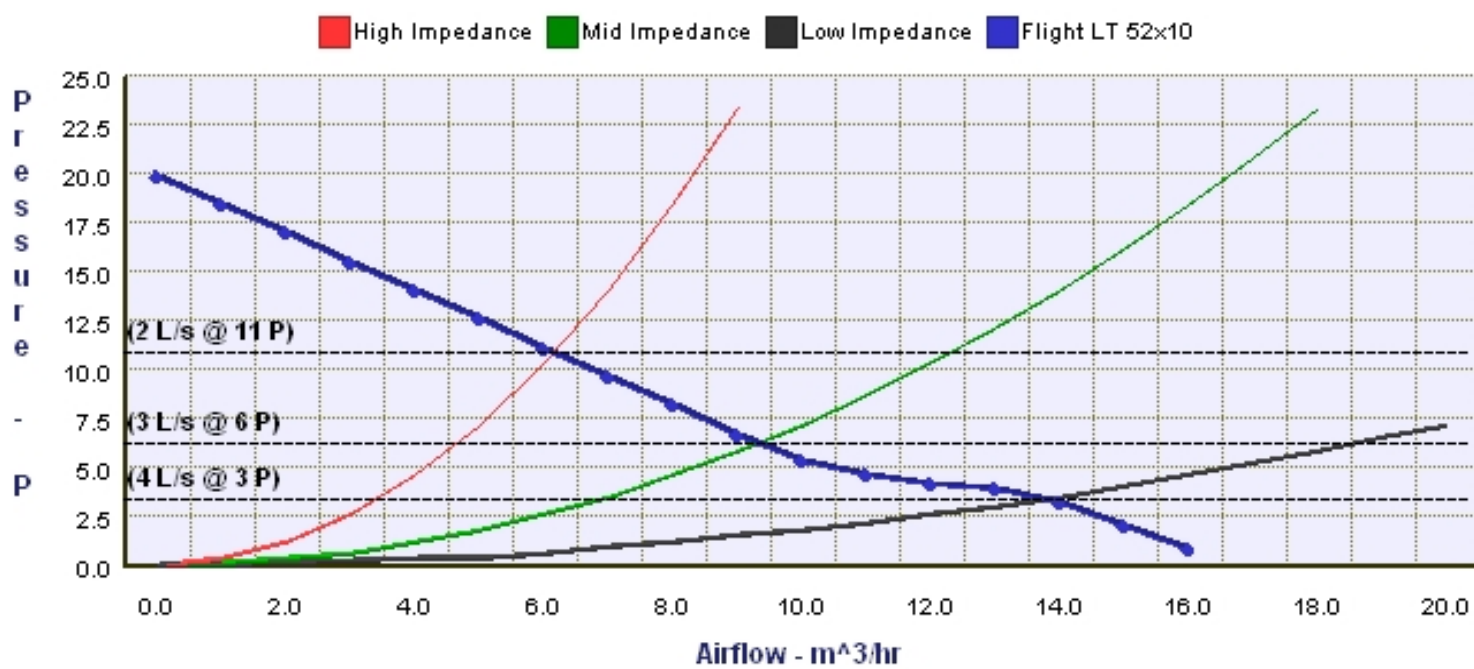


Printer-Friendly Datasheet

Mechanical Drawing



Fan Performance Curve



Fan Configuration Options

Flight LT 52x10 (Family) - **CR0512HB-G90** (Model) / **032648** (Part #) - **No** (In Stock)

| | | | |
|--|--|--|--|
| Fan Speeds | Fan Bearings | Fan Airflow Directions | Fan Terminations |
| <input checked="" type="radio"/> High Speed (3800 RPM) | <input checked="" type="radio"/> Ball Bearings | <input type="radio"/> Flow L (CW Rotation) | <input checked="" type="radio"/> Leads |
| <input type="radio"/> Medium Speed (3300 RPM) | <input type="radio"/> Sleeve Bearings | <input checked="" type="radio"/> Flow R (CCW Rotation) | <input type="radio"/> Terminals |

Fan Monitoring Options

- No Tachometer Required
- Add Open Collector Tachometer Output