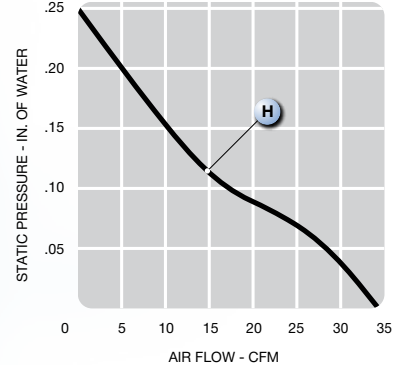
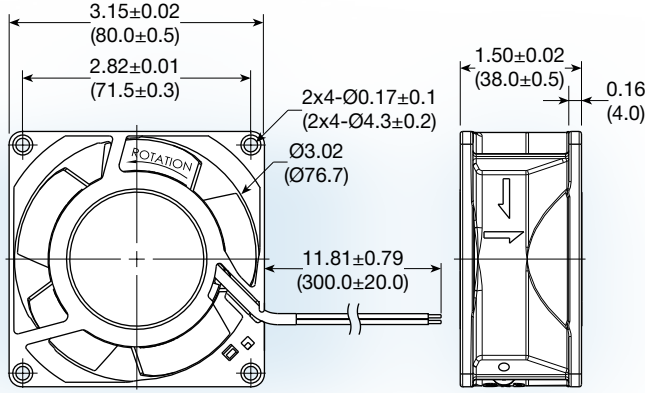


UF80AM series

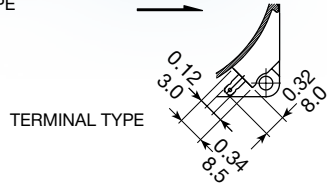


(80 x 80 x 38 mm)
3.15 x 3.15 x 1.50 inches

- Features:** high temp; -40°C ~+90°C, operating temperature range
- Operating Voltage:** 115 or 230 VAC
- Construction:** aluminium die cast frame; metal impeller
- Bearing option:** ball bearing with high temp lubricant
- Motor:** shaded pole - Class F insulation
- Air Flow:** air exhaust over struts
- Connection:** terminal or 22 AWG lead wire
- Protection:** impedance

LEAD WIRE TYPE

Air Flow



TERMINAL TYPE

Model No.	Rated Voltage V	Freq. HZ	Input Power W	Rated Cur. A	Speed RPM	Air Volume		Max. Sta tic Pressure (H ₂ O)		Sound Noise dBa	Wt . g
						M ³ /Min.	CFM	MM	INCH		
UF80AM12B-H	115	60	11	0.13	3,250	0.96	34	6.6	0.26	40	390
UF80AM23B-H	230	60	11	0.07	3,250	0.96	34	6.6	0.26	40	390

