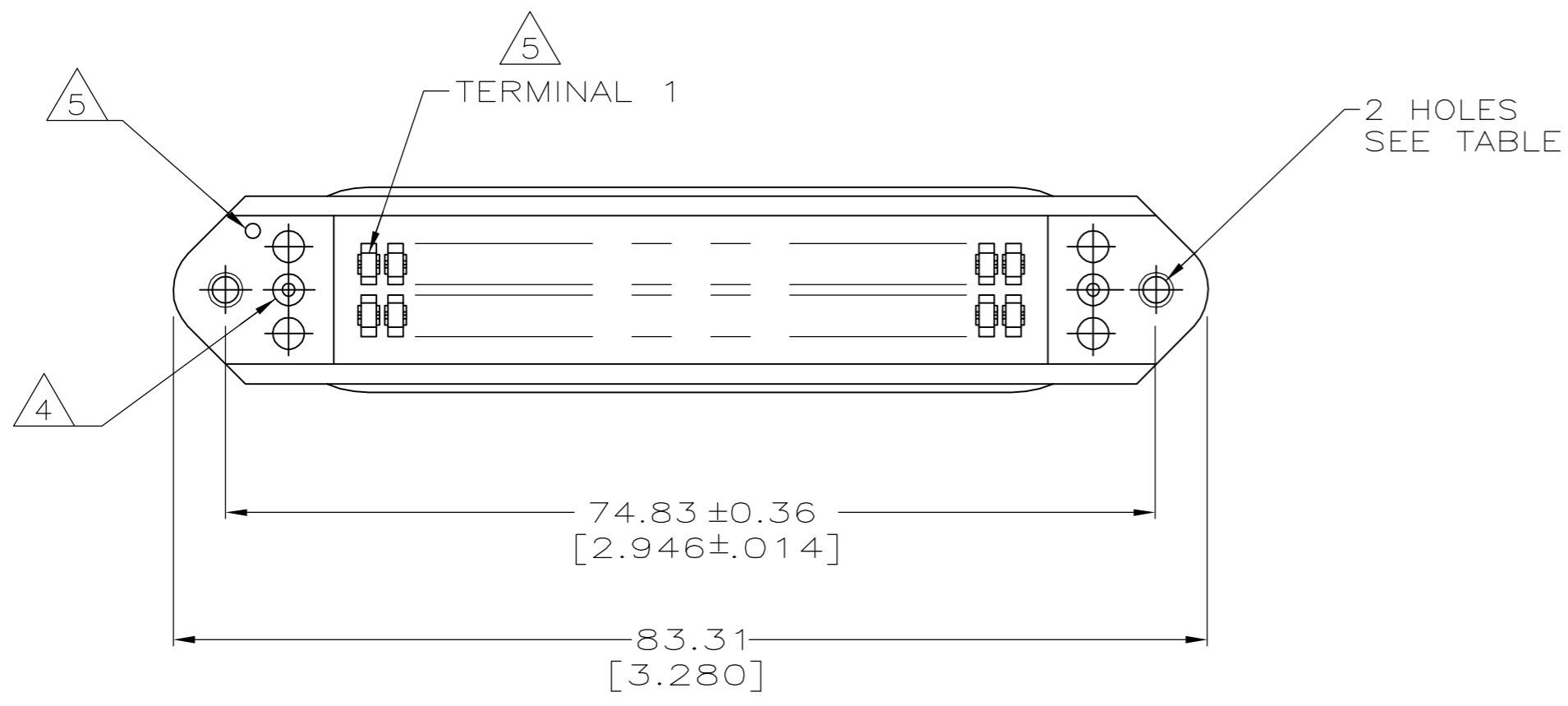
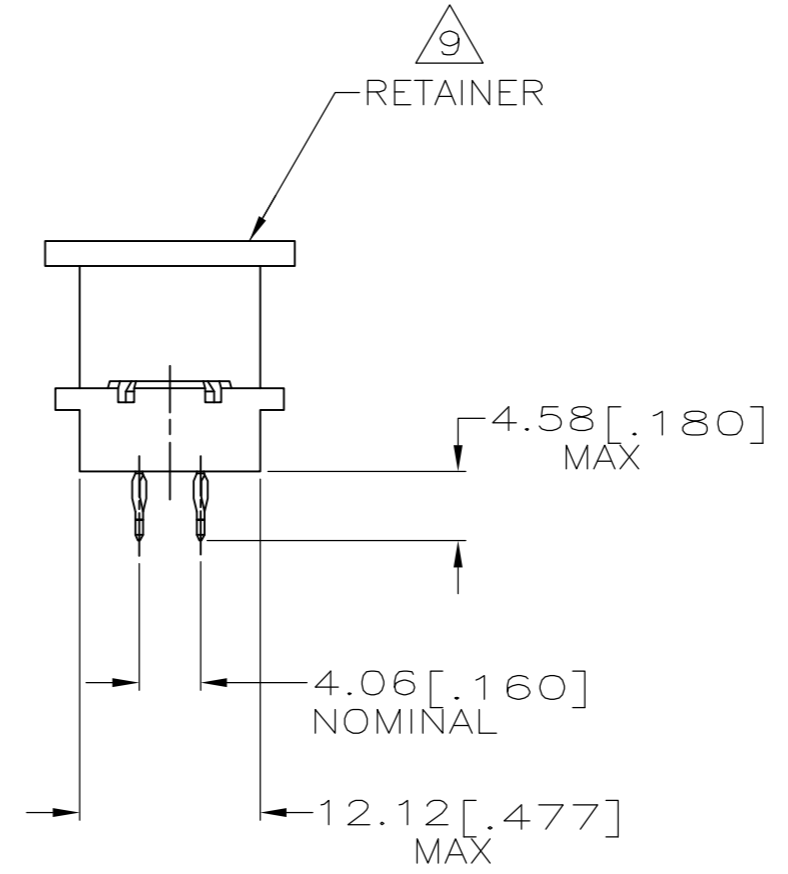
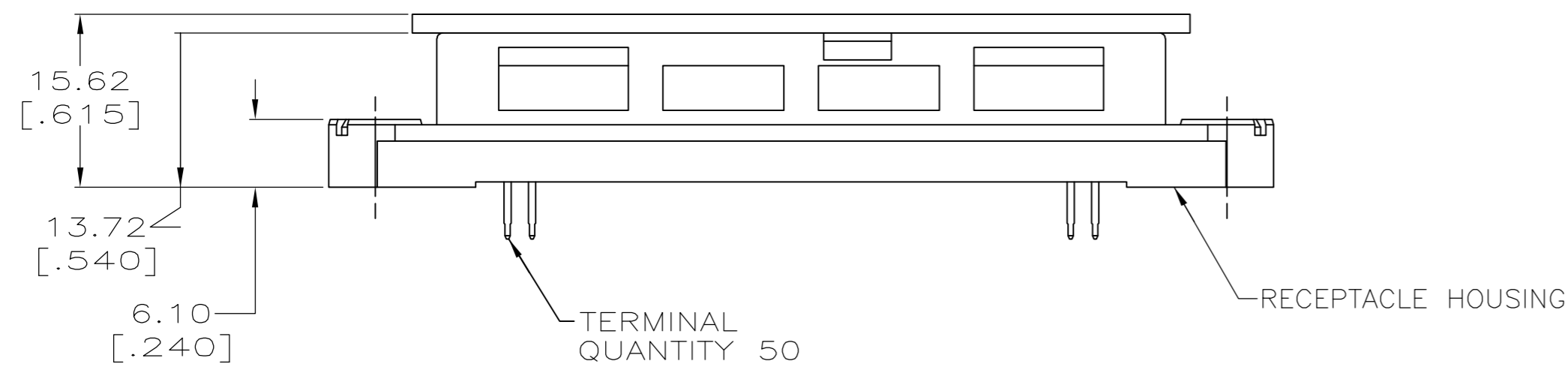
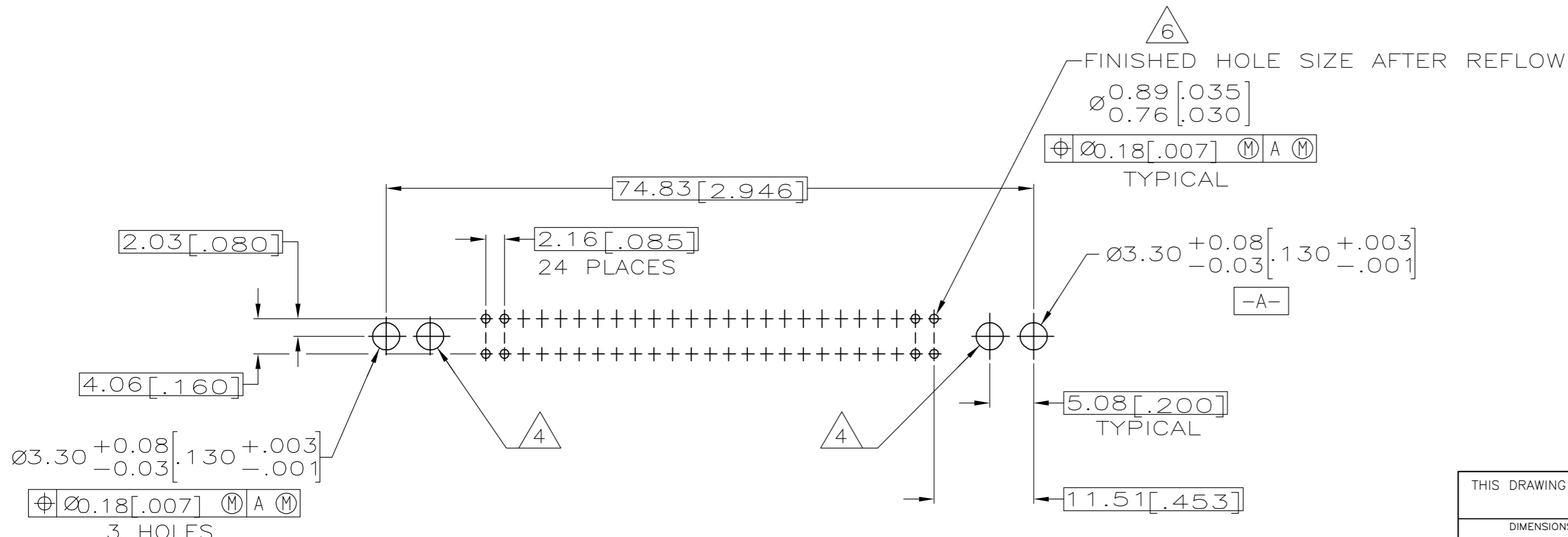


THIS DRAWING IS UNPUBLISHED. RELEASED FOR PUBLICATION  
 © COPYRIGHT BY TYCO ELECTRONICS CORPORATION. ALL RIGHTS RESERVED.

LOC	DIST	REVISIONS					
AA	11	P	LTR	DESCRIPTION	DATE	DWN	APVD
		F		REVISED PER ECN-0513-0617-04	27MAR07	JDP	WM



- DIMENSIONS ARE MAXIMUM UNLESS OTHERWISE SPECIFIED.
- MATERIAL: HOUSING - POLYESTER MOLDING COMPOUND BLACK.  
 TERMINAL - COPPER ALLOY PLATED WITH 0.76µm [.000030] MINIMUM THICK GOLD ON MATING SURFACE AND 0.13µm [.000005] MINIMUM THICK GOLD ON ACTION PIN AREA OVER 1.27µm [.000050] MINIMUM THICK NICKEL UNDERPLATE OVER ENTIRE TERMINAL.  
 RETAINER - POLYETHYLENE, NATURAL.
- THE CONTACT SURFACES OF THE TERMINALS ARE COATED WITH LUBRICANT.
- OPTIONAL MOUNTING HOLE FOR SELF-TAPPING SCREW.
- THRU HOLE ON HOUSING FLANGE INDICATES POSITION 1 LOCATION.
- ALL PLATED-THRU HOLES SHALL BE PER AMP SPEC 115-6072.
- 222N[50 LBS] MINIMUM FORCE REQUIRED TO UNSEAT CONNECTOR FROM PRINTED CIRCUIT BOARD WITHOUT USE OF HARDWARE.
- CENTER-TO-CENTER SPACING OF TERMINALS IS .085 NOMINAL.
- RETAINER MUST REMAIN INSTALLED UNTIL AFTER CONNECTOR HAS BEEN INSERTED INTO PCB HOLES.
- OBSOLETE



PRINTED CIRCUIT BOARD MOUNTING DIMENSIONS

10	THREADED INSERTS	554753-2
	TAPPED HOLES	554753-1
	DESCRIPTION	PART NUMBER

THIS DRAWING IS A CONTROLLED DOCUMENT.		DWN YTP/JTA 09 NOV 93	Tyco Electronics Corporation Harrisburg, PA 17105-3608	
DIMENSIONS: mm [INCHES]		CHK C. WHITT 02 DEC 93		
TOLERANCES UNLESS OTHERWISE SPECIFIED:		APVD R. FLAHERTY 08 DEC 93	NAME	
0 PLC ± -	1 PLC ± -	PRODUCT SPEC	RECEPTACLE ASSEMBLY, 50 POSITION, SELF-RETAINED, ACTION PIN, CHAMP-LOK	
2 PLC ± -	3 PLC ± -	APPLICATION SPEC	-	
4 PLC ± -	ANGLES ± -	FINISH	SIZE A2	CAGE CODE 00779
MATERIAL		WEIGHT -	DRAWING NO C=554753	RESTRICTED TO -
		CUSTOMER DRAWING	SCALE 2:1	SHEET 1 of 1
			REV F	