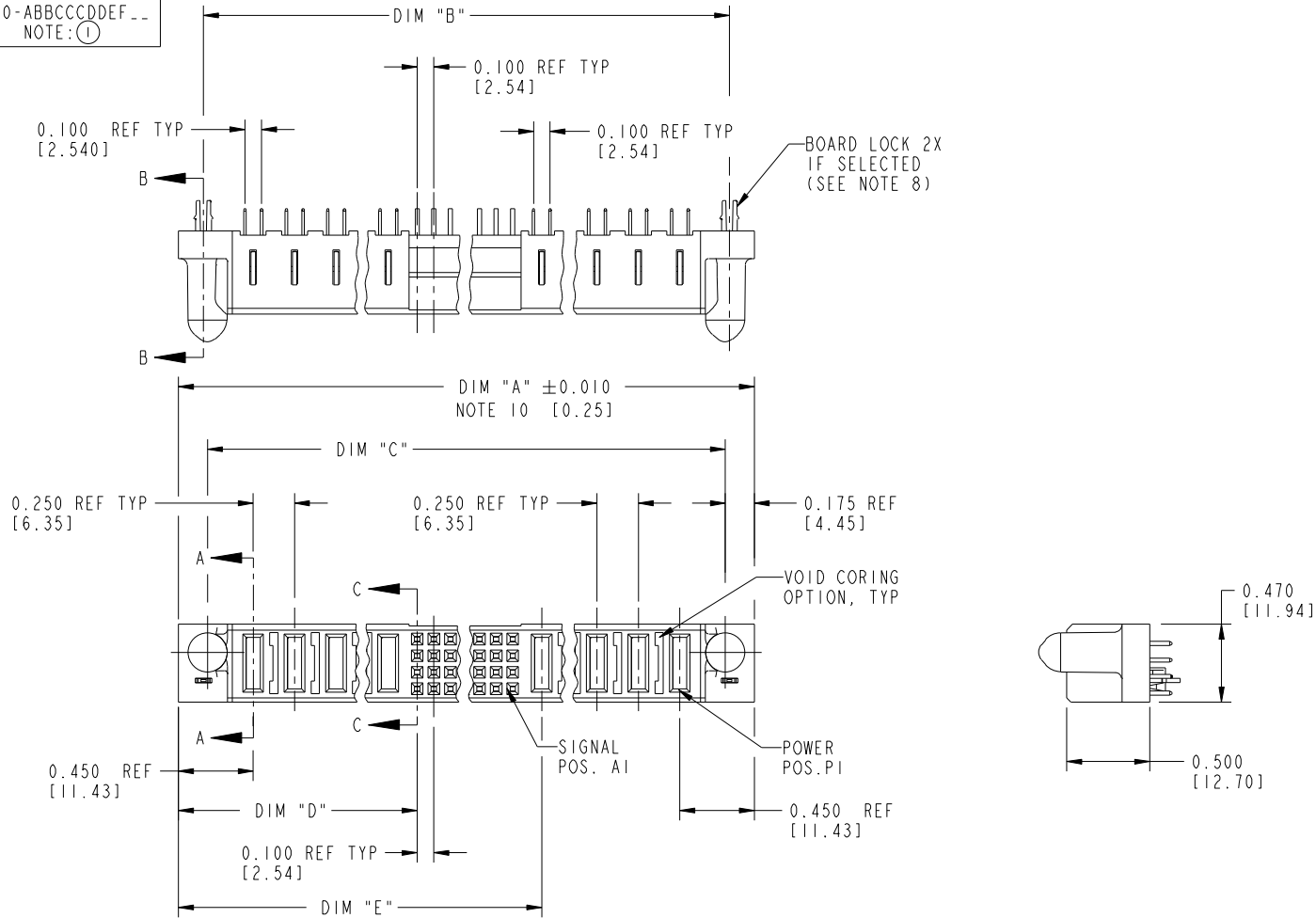


Tous droits strictement réservés. Reproduction ou communication à des tiers interdite sous quelque forme que ce soit sans autorisation écrite du propriétaire. Propriété de c.FCI. Droits de reproduction FCI.



All rights strictly reserved. Reproduction or issue to third parties in any form whatever is not permitted without written authority from the proprietor. Property of FCI. Copyright FCI.

PRODUCT NUMBER  
51740-ABBCCDDEF...  
NOTE: ①



mat'l code				SEE NOTE 2		tolerances unless otherwise specified		CUSTOMER		FCI	
ltr	ecn no.	dr	date	linear	.XX±.01/0.X±0.3		COPY		www.fciconnect.com		
K	DG05-0132	SJ	06/06/05		.XXX±.005/0.XXX±0.13		projection		title		
L	DG05-0153	SJ	06/10/05	angles	.XXX±.0020/.XXX±.051		INCH/MM		VERTICAL RECEPTACLE w/GUIDE PIN POWER / SIGNAL / POWER		
M	DG05-0485	GUOJM	11/21/05		0°±2°		scale		product family		PwrBlade
N	DG06-0362	JULIA	08/30/06	dr	D. EATON	05-25-99	1:1		size	dwg no	213
P	DG08-0239	JC	09/11/08	enr	RYAN YUAN	11/08/06	A		51740	sheet	
R	DG10-0318	AL	09/03/10	chr	J. BROWN	05-24-99					1 of 3
				appd	J. BROWN	05-24-99					
sheet index		revision sheet		R	R	R					
		i		2	3						

cage code 22526

Pro/E

Tous droits strictement réservés. Reproduction ou communication à des tiers interdite sous quelque forme que ce soit sans autorisation écrite du propriétaire. Propriété de c FCI. Droits de reproduction FCI.



All rights strictly reserved. Reproduction or issue to third parties in any form whatever is not permitted without written authority from the proprietor. Property of FCI. Copyright FCI.

PRODUCT NUMBER
51740-ABBCCDDDEF..
NOTE: ①

DIM	LENGTH FORMULAS (SEE NOTE 10)
DIM "A"	.250 [6.35] x DD + .100 [2.54] x (CCC/4) + .250 [6.35] x BB + .650 [16.51] (NOTE 10)
DIM "B"	.250 [6.35] x DD + .100 [2.54] x (CCC/4) + .250 [6.35] x BB + .350 [8.89]
DIM "C"	.250 [6.35] x DD + .100 [2.54] x (CCC/4) + .250 [6.35] x BB + .300 [7.62]
DIM "D"	.250 [6.35] x DD + .375 [9.53]
DIM "E"	.250 [6.35] x DD + .100 [2.54] x (CCC/4) + .450 [11.43]
DIM "F"	.250 [6.35] x DD + .100 [2.54] x (CCC/4) + .250 [6.35] x BB + .680 [17.27]
DIM "G"	.250 [6.35] x DD + .225 [5.72]
DIM "H"	.250 [6.35] x DD + .100 [2.54] x (CCC/4) + .250 [6.35]

CONNECTOR NOTES

- PRODUCT NUMBER CODE:  
51740 - A BB CCC DD E F LF

NO THIS SUFFIX: 100u"/2.54um SnPb ON PCB INTERFACE  
ADD THIS SUFFIX: 78u"/2.00um Sn ON PCB INTERFACE  
RETENTION TO PCB (NOTE 8)  
TAIL OPTIONS (NOTE 7)  
NUMBER OF LEFT END POWER CONTACTS (NOTE 6)  
NUMBER OF SIGNAL CONTACTS (NOTE 5)  
NUMBER OF RIGHT POWER CONTACTS (NOTE 4)  
PLATING (NOTE 3)  
BASE NUMBER
  - HOUSING MATERIAL: GLASS FILLED V-O HIGH TEMP THERMO PLASTIC.  
SIGNAL CONTACT MATERIAL: COPPER ALLOY  
POWER CONTACT MATERIAL: COPPER ALLOY
  - PLATING OPTION:  
I = SEE PRINT 10064183 FOR PLATING SPEC OF 51740-IBBCCDDDEF; 51740-IBBCCDDDEF LF
  - RIGHT END POWER CONTACT, 01 TO 20 AVAILABLE.  
MAXIMUM OF 20 POWER CONTACTS PER CONNECTOR.
  - SIGNAL CONTACTS, 004 TO 148 AVAILABLE.
  - LEFT END POWER CONTACTS, 01 TO 20 AVAILABLE.  
MAXIMUM OF 20 POWER CONTACTS PER CONNECTOR.
  - TAIL OPTIONS:  
A = .135 ± 0.010 [3.43 ± 0.25] SOLDER TO BOARD  
C = .135 ± 0.010 [3.43 ± 0.25] PRESS FIT
  - RETENTION TO PCB OPTIONS:  
A = BOARD LOCK (REQUIRES .098 + .002, -.001 [2.49 + 0.05, -0.03] THRU HOLE IN PCB) RECOMMENDED ON SYMMETRIC CONNECTORS.  
BOARD LOCK TO BE USED IN CONJUNCTION WITH AN .092 PCB OR THICKER.  
C = NO RETENTION FEATURE.
  - MANUFACTURE'S NAME, P/N, AND DATE CODE TO APPEAR ON THIS SURFACE.
  - THE MAXIMUM OVERALL LENGTH (DIM A) OF A PART IS 8.00 [203.2].
  - PRODUCT SPECIFICATION GS-12-149.
  - REFERENCE 51698 FOR SPECIALS WORKSHEET.
- PCB NOTES:
- ALL DIMENSIONS ARE BASIC UNLESS OTHERWISE SPECIFIED.
  - ALL THROUGH HOLES ARE LOCATED WITH A TRUE POSITION OF .004 [0.01]
  - ALL HOLE DIAMETERS ARE FINISHED HOLE SIZE.
  - 0.0453 ± .001 [1.151 ± .02] DRILLED HOLES PLATED WITH 0.0003 [0.007] MIN SnPb OVER 0.001 [1.03] TO .003 [0.08] PLATING TO ACHIEVE A .040 ± .003 [1.02 ± .08] HOLE.
  - A  $\Delta$  SYMBOL WILL BE NEXT TO ANY DIMENSION, VIEW, OR NOTE WHICH HAS BEEN MODIFIED WITH THE CURRENT DRAWING REVISION.

mat'l code		SEE NOTE 2		tolerances unless otherwise specified		CUSTOMER		FCI		www.fciconnect.com	
ltr	ecn no.	dr	date	linear	.XX ± .01 / 0.XX ± 0.3	COPY				title VERTICAL RECEPTACLE w/GUIDE PIN POWER / SIGNAL / POWER	
R					.XXX ± .005 / 0.XX ± 0.13	projection					
				angles	.XXX ± .0020 / .XXX ± .051			product family		PwrBlade	code
				dr	0° ± 2°	D. EATON 05-25-99 RYAN YUAN 11/08/06 J. BROWN 05-24-99 J. BROWN 05-24-99		size		dwg no	213
				enr		scale		A		51740	sheet
				chr		1:1					2 of 3
				appd							
sheet index	revision sheet										

cage code 22526

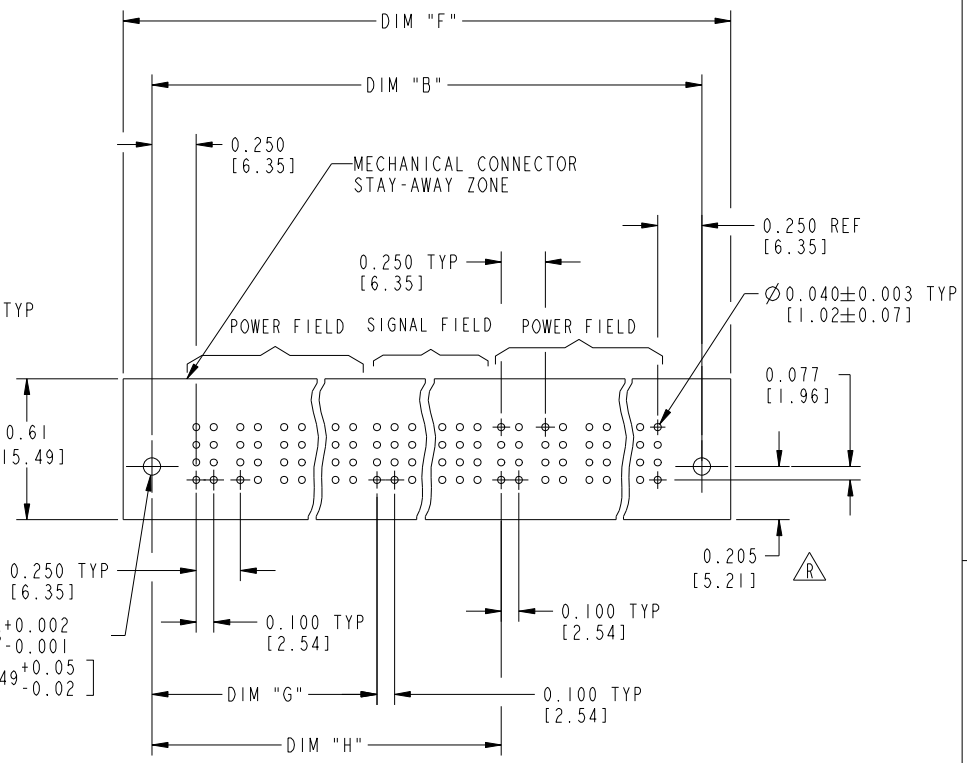
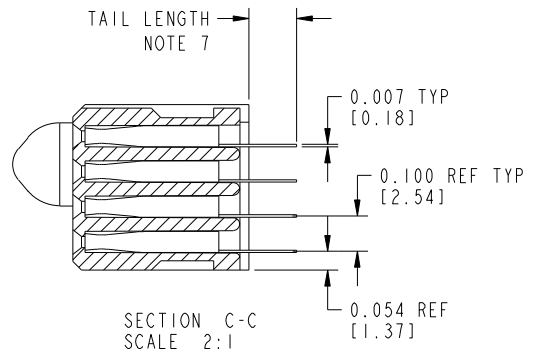
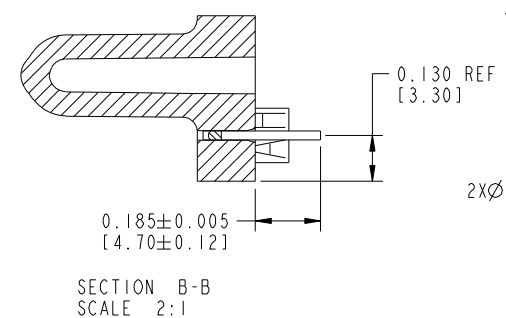
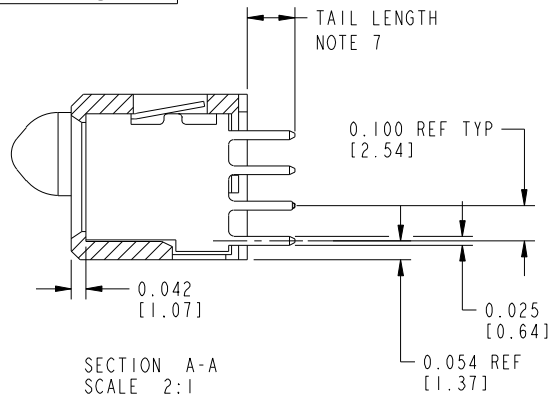
Pro/E

Tous droits strictement réservés. Reproduction ou communication à des tiers interdite sous quelque forme que ce soit sans autorisation écrite du propriétaire. Propriété de c.FCI. Droits de reproduction FCI.



All rights strictly reserved. Reproduction or issue to third parties in any form whatever is not permitted without written authority from the proprietor. Property of FCI. Copyright FCI.

PRODUCT NUMBER  
51740-ABBCCDDEF..  
NOTE: ①



mat'l code		SEE NOTE 2		tolerances unless otherwise specified		CUSTOMER		FCI		www.fciconnect.com	
ltr	ecn no.	dr	date	linear	.XX±.01/0.XX±0.3	COPY		projection		title	
R				angles	.XXX±.005/0.XX±0.13	INCH/MM		0°±2°		VERTICAL RECEPTACLE w/GUIDE PIN POWER / SIGNAL / POWER	
				dr	.XXX±.0020/.XXX±.051	scale		product family		code	
				enr	0°±2°	1:1		PwrBlade		213	
				chr				size		sheet	
				appd				dwg no		3 of 3	
sheet index		revision sheet						51740			
								A			

cage code 22526