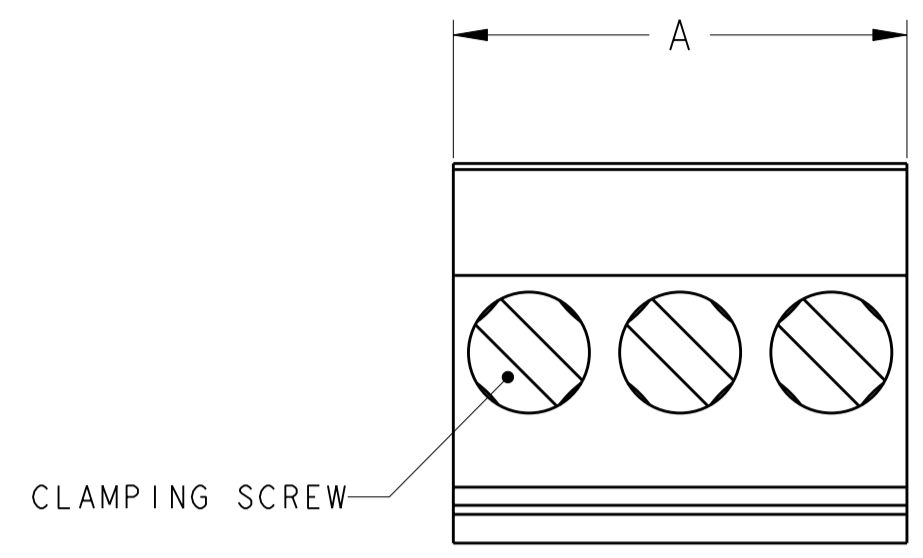
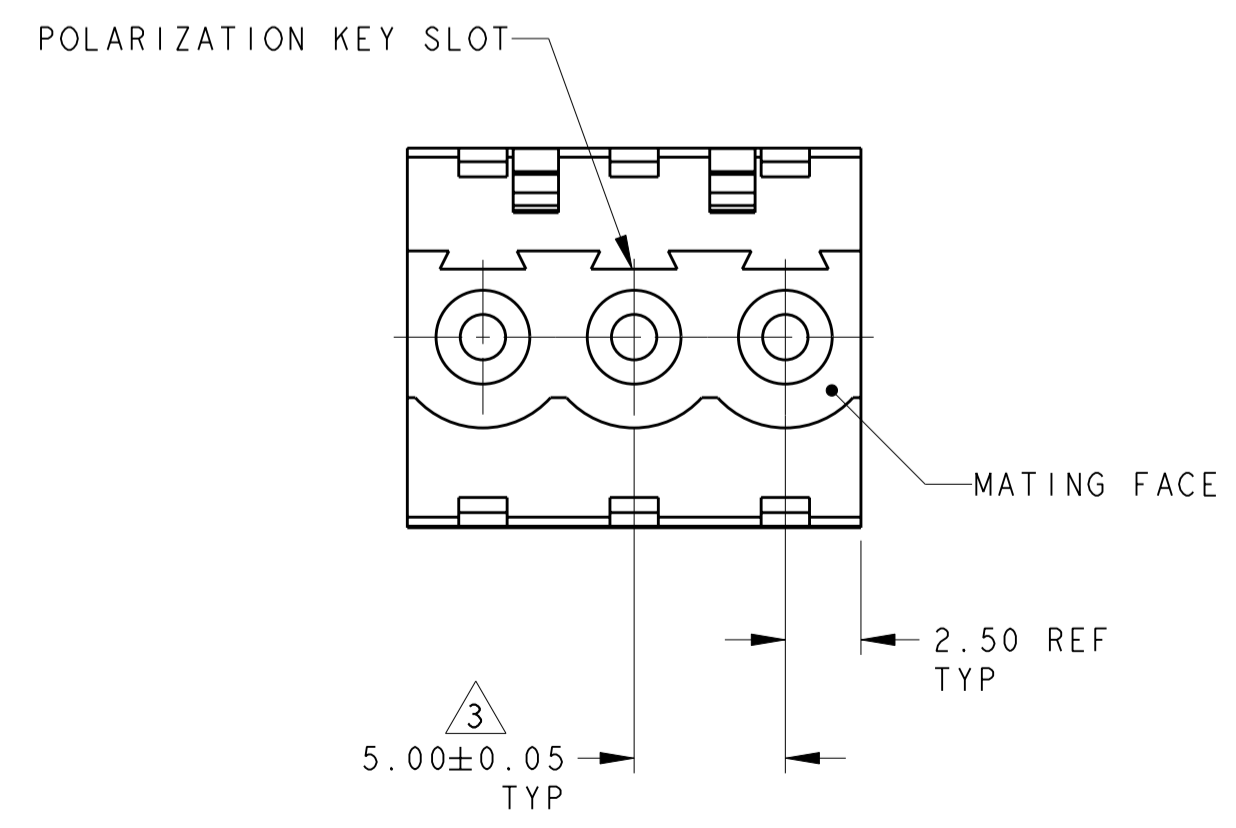
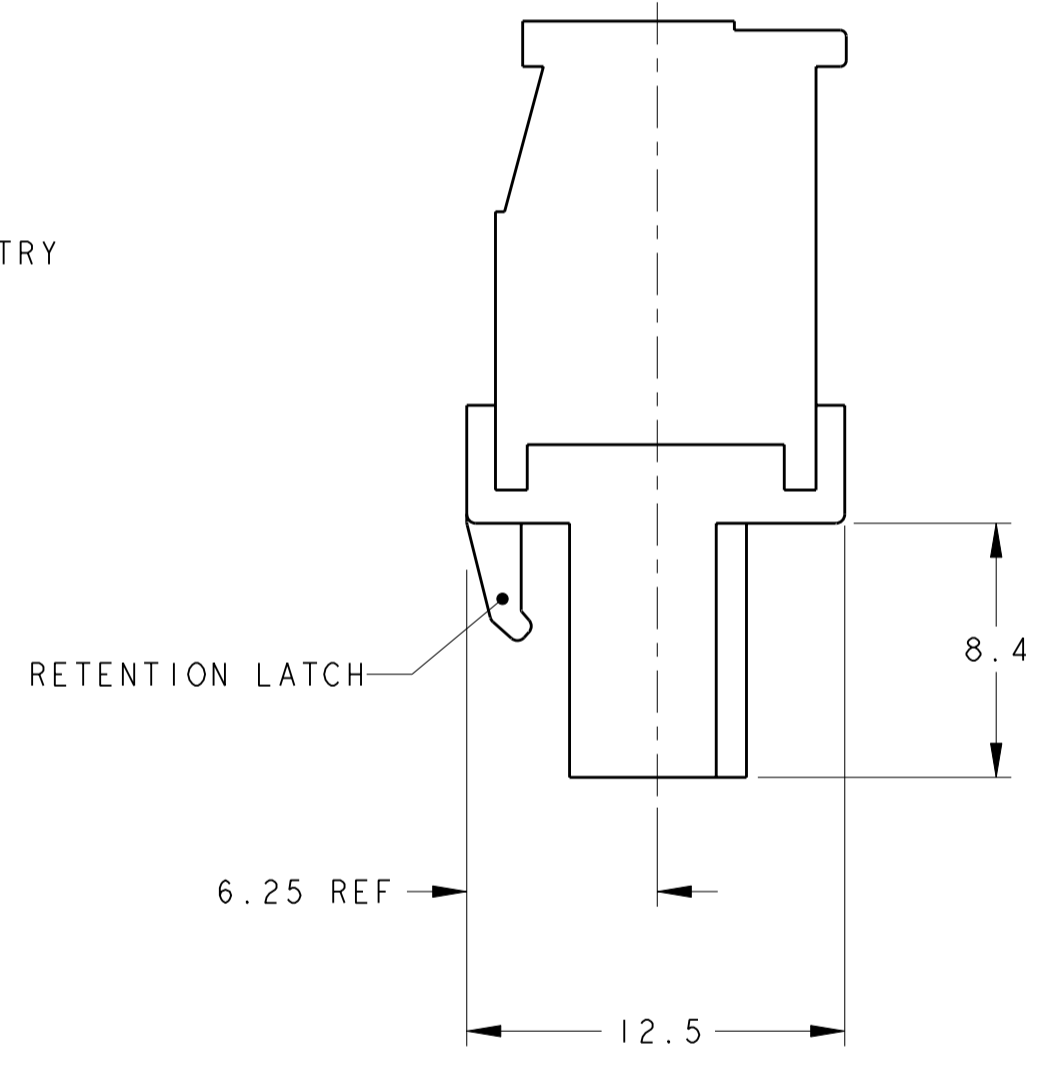
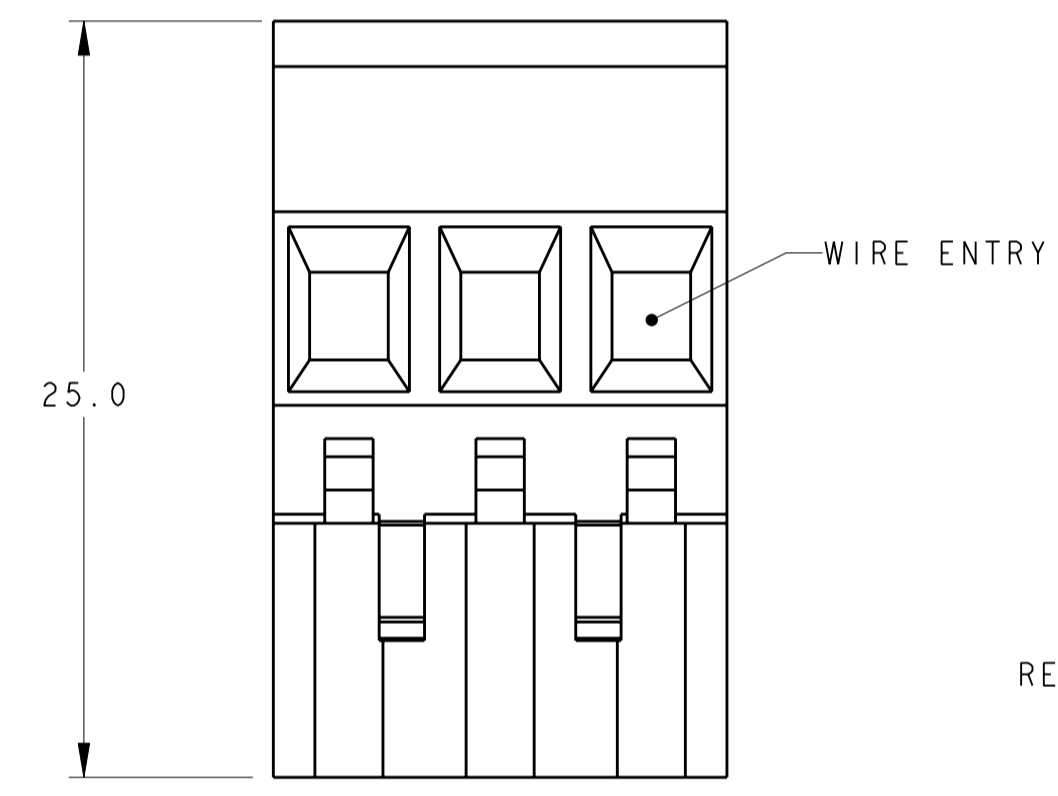


THIS DRAWING IS UNPUBLISHED. RELEASED FOR PUBLICATION 20  
 © COPYRIGHT 20 BY TYCO ELECTRONICS CORPORATION. ALL RIGHTS RESERVED.

LOC		DIST		REVISIONS			
P	LTR	DESCRIPTION	DATE	DWN	APVD		
	O	RELEASED EC 063B-0887-03	12NOV2003	SW	CR		
	A	REVISED PER ECO-08-001987	23JAN2008	SS	CR		
	AI	REVISED PER ECO-08-021097	26AUG2008	HMR	CR		



- 1 MATERIALS AND FINISH  
 HOUSING: PA 6-6, UL 94-V0, COLOR: GRAY.  
 CLAMP: BRASS, NICKEL PLATED.  
 CONTACT SPRING : PHOSPHOR BRONZE, TIN PLATED.  
 CLAMPING SCREW: M3, BRASS, NICKEL PLATED.
- 2. WIRE SIZE RANGE: 12-30 AWG
- 3 NOT CUMULATIVE TOLERANCE.
- 4 INK MARKING, COLOR: BLACK.



SEE DETAIL K	15.0	3	2-1546857-7
SEE DETAIL J	10.0	2	2-1546857-6
-	125.0	25	2-1546857-5
-	120.0	24	2-1546857-4
-	115.0	23	2-1546857-3
-	110.0	22	2-1546857-2
-	105.0	21	2-1546857-1
-	100.0	20	2-1546857-0
-	95.0	19	1-1546857-9
-	90.0	18	1-1546857-8
-	85.0	17	1-1546857-7
-	80.0	16	1-1546857-6
-	75.0	15	1-1546857-5
-	70.0	14	1-1546857-4
-	65.0	13	1-1546857-3
-	60.0	12	1-1546857-2
-	55.0	11	1-1546857-1
-	50.0	10	1-1546857-0
-	45.0	9	1546857-9
-	40.0	8	1546857-8
-	35.0	7	1546857-7
-	30.0	6	1546857-6
-	25.0	5	1546857-5
-	20.0	4	1546857-4
-	15.0	3	1546857-3
-	10.0	2	1546857-2
MARKING	A	NO OF POSN	PART NUMBER

THIS DRAWING IS A CONTROLLED DOCUMENT FOR TYCO ELECTRONICS CORPORATION. IT IS SUBJECT TO CHANGE AND THE CONTROLLING ENGINEERING ORGANIZATION SHOULD BE CONTACTED FOR THE LATEST REVISION.		DWN S. WELDON 12NOV2003	Tyco Electronics Harrisburg, PA 17105-3608	
DIMENSIONS: mm		CHK C. RICHARD 12NOV2003	NAME TERMINAL BLOCK, VERTICAL PLUG, STACKING, RIGHT HAND, 5.00mm PITCH	
TOLERANCES UNLESS OTHERWISE SPECIFIED: 0 PLC ±.3 1 PLC ±.25 2 PLC ±.25 3 PLC ±. 4 PLC ±. ANGLES ±2 FINISH		APVD C. RICHARD 12NOV2003	RESTRICTED TO	
MATERIAL		PRODUCT SPEC -	SIZE A2	CAGE CODE 00779
1		APPLICATION SPEC -	DRAWING NO 1546857	REV A1
1		WEIGHT -	SCALE 4:1 SHEET 1 OF 2	
CUSTOMER DRAWING				

4

3

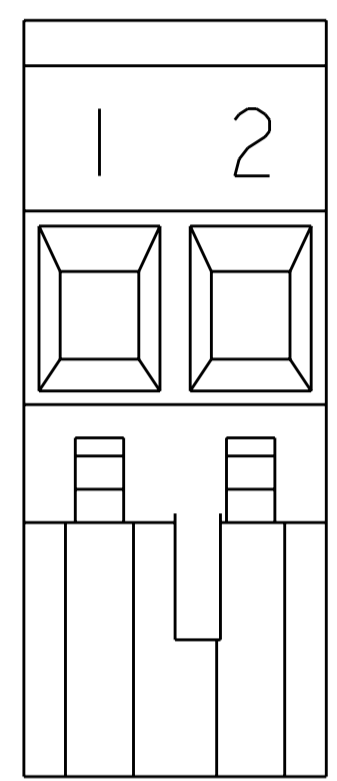
2

1

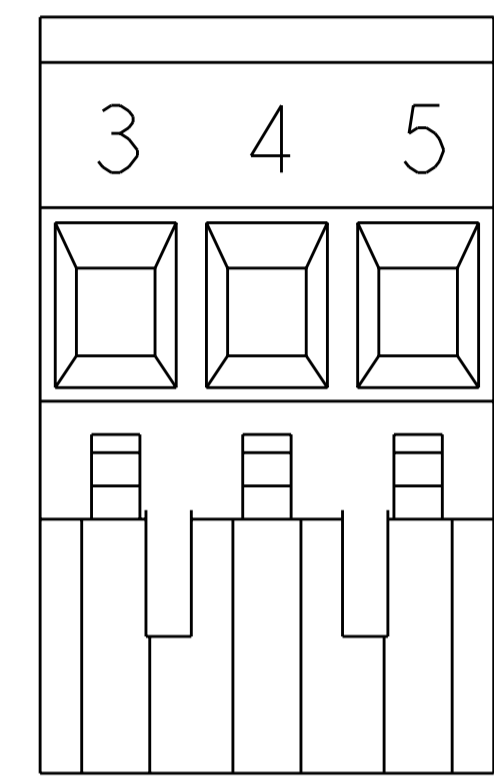
THIS DRAWING IS UNPUBLISHED.      RELEASED FOR PUBLICATION      20

© COPYRIGHT 20      BY TYCO ELECTRONICS CORPORATION. ALL RIGHTS RESERVED.

LOC	DIST	REVISIONS			
P	LTR	DESCRIPTION	DATE	DWN	APVD
FT	0	-	SEE SHEET 1	-	-



△  
DETAIL J



△  
DETAIL K

<small>THIS DRAWING IS A CONTROLLED DOCUMENT FOR TYCO ELECTRONICS CORPORATION IT IS SUBJECT TO CHANGE AND THE CONTROLLING ENGINEERING ORGANIZATION SHOULD BE CONTACTED FOR THE LATEST REVISION.</small>		DWN S. WELDON 12NOV2003 CHK C. RICHARD 12NOV2003 APVD C. RICHARD 12NOV2003	Tyco Electronics Harrisburg, PA 17105-3608
DIMENSIONS: mm	TOLERANCES UNLESS OTHERWISE SPECIFIED: 0 PLC ±- 1 PLC ±.3 2 PLC ±.25 3 PLC ±- 4 PLC ±- ANGLES ±2 FINISH	PRODUCT SPEC APPLICATION SPEC WEIGHT	NAME <b>TERMINAL BLOCK, VERTICAL PLUG,          STACKING, RIGHT HAND,          5.00mm PITCH</b>
MATERIAL -	FINISH -	WEIGHT -	SIZE A2    CAGE CODE 00779    DRAWING NO. C-1546857    RESTRICTED TO - SCALE 4:1    SHEET 2 OF 2    REV A1
CUSTOMER DRAWING			