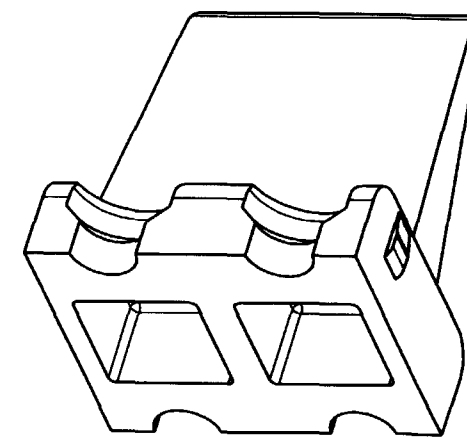
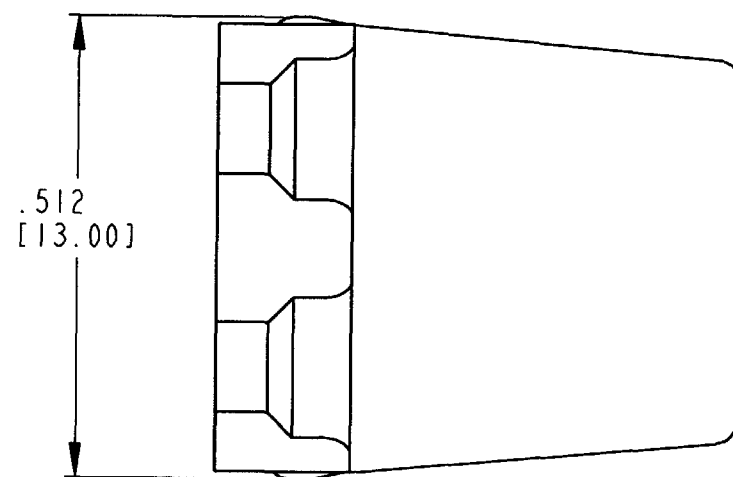
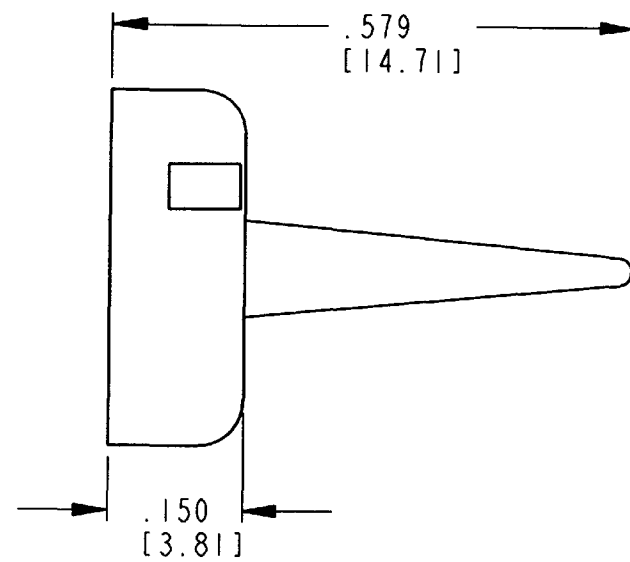
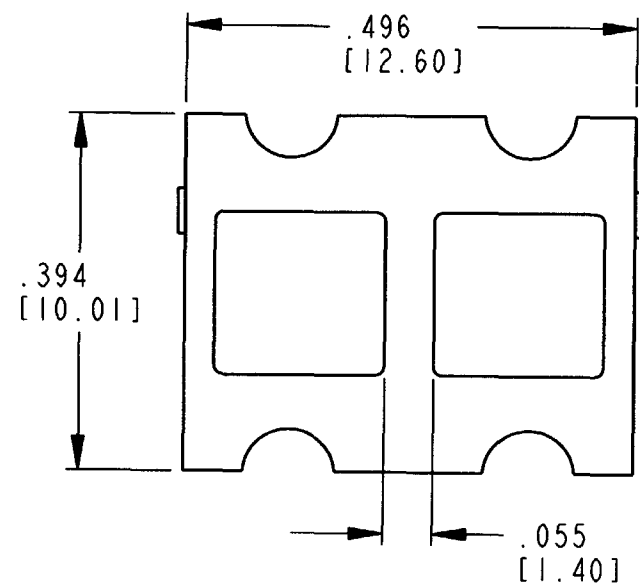


REV  
A  
**WP-4P**

| REVISIONS |                             |         |          |
|-----------|-----------------------------|---------|----------|
| SYM       | DESCRIPTION                 | DATE    | APPROVED |
| NC        | NEW RELEASE PER E.O. P15534 | 1-30-98 | RDR      |
| A         | REVISED PER E.O. P19824     | 4-21-00 | RDR      |
|           |                             |         |          |
|           |                             |         |          |



- NOTES:
1. DIMENSIONS ARE IN INCHES [METRIC].
  2. DIMENSION TOLERANCE:  $\pm .015$  [ .38 ].
  3. THIS PART MATES WITH DTP04-4P PLUG.
  4. COLOR: ORANGE.

| SIGNATURE & DATE |                            |
|------------------|----------------------------|
| DR               | D. MEYER 01/28/98          |
| CHK              | <i>[Signature]</i> 4/17/08 |
| PE               | <i>[Signature]</i> 4/16/08 |
| APPD             | <i>[Signature]</i> 4/16/08 |
| SCALE            | 4:1 JNT                    |

WEDGE LOCK  
FOR 4 CONT. RECPT.  
HOUSING  
DTP SERIES

ENVELOPE

|   |                         |
|---|-------------------------|
| EP                                      | MATL CODE               |
| 3850 INDUSTRIAL AVE.<br>HEMET, CA 92545 |                         |
| <b>DEUTSCH</b><br>INDUSTRIAL            |                         |
| <b>B</b>                                | <b>WP-4P</b>            |
| DWG SIZE                                | CODE 11139 SHEET 1 OF 1 |