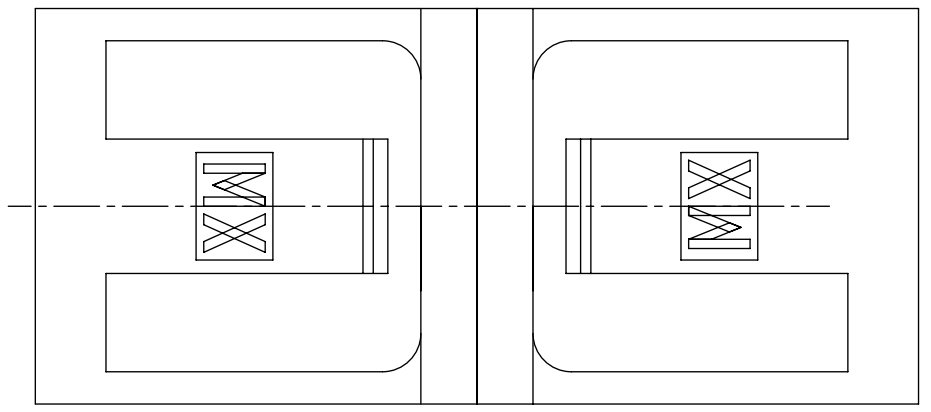
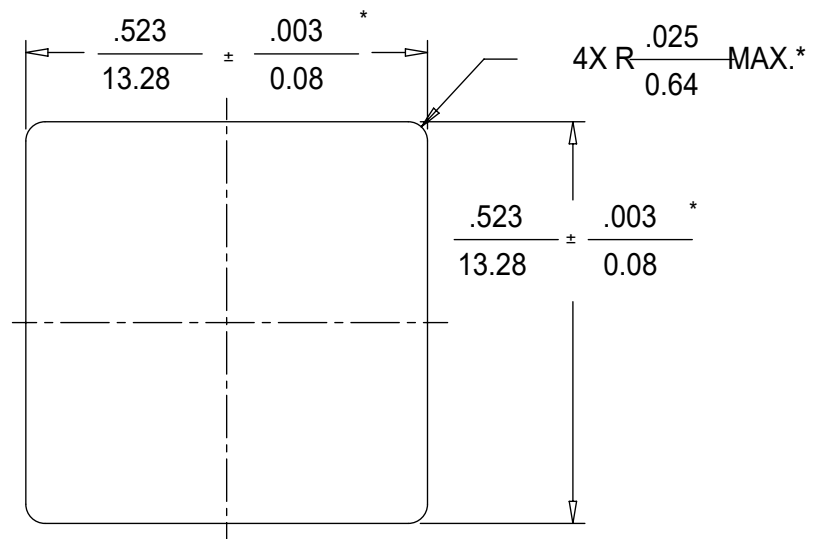
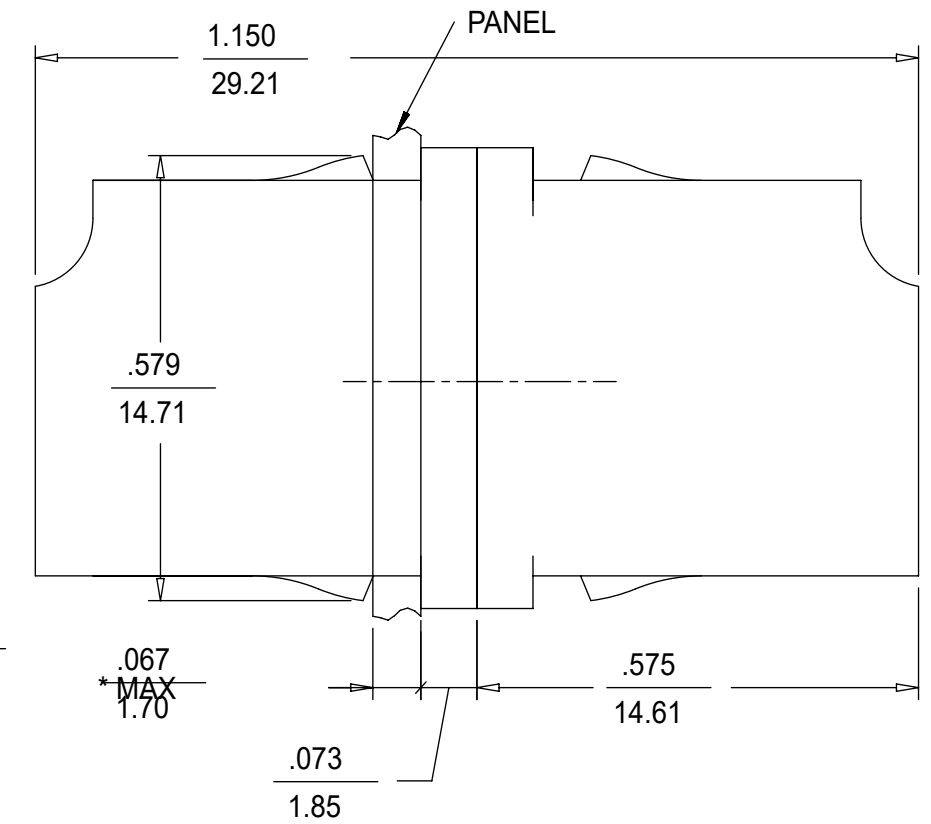
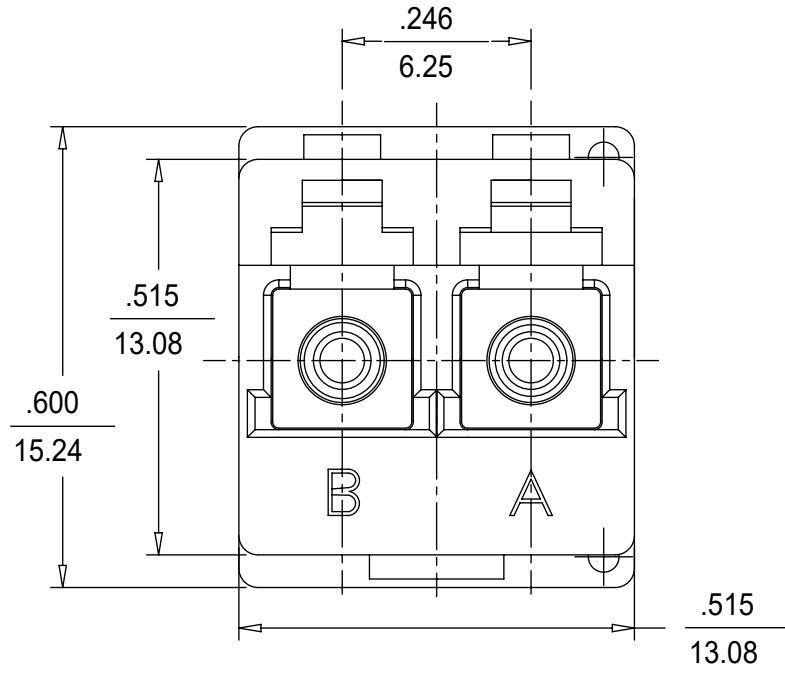


ADAPTER P/N	COLOR	SPLIT SLEEVE MATERIAL
106125-1100	BLUE	ZIRCONIA - ZrO ₂
106125-0110	BEIGE	
106125-0111*		
106125-1150	GREEN	
106125-0100	BLUE	
106125-1110	BEIGE	
106125-0120	AQUA	
106125-1170	BLACK	



(DUST CAPS ARE NOT SHOWN)

RECOMMENDED PANEL CUTOUT

PANEL THICKNESS $\frac{.067}{1.70}$ MAX.

NOTES:

- ALL DIMENSIONS ARE FOR REFERENCE ONLY. EXCEPT WHEN MARKED WITH (*).
- P/N 106125-0111 SHALL BE BULK PACKED IN QUANTITIES OF 100pcs.
- ALL POLYMERIC MATERIALS USED IN THIS ADAPTER HAVE UL94 RATING OF V-0.

FUNCTIONAL SYMBOLS	THIS DRAWING CONTAINS INFORMATION THAT IS PROPRIETARY TO MOLEX ELECTRONIC TECHNOLOGIES, LLC AND SHOULD NOT BE USED WITHOUT WRITTEN PERMISSION		CURRENT REV DESC:		molex
	DIMENSION UNITS	SCALE			
$\nabla = 0$	INCH/MM	4:1			LC DUPLEX ADAPTER
$\nabla = 0$	GENERAL TOLERANCES (UNLESS SPECIFIED)				
$\nabla = 0$	ANGULAR TOL $\pm 0.5^\circ$				PRODUCT CUSTOMER DRAWING
DIVISIONAL SYMBOLS	4 PLACES	\pm			
	3 PLACES	\pm	EC NO: 652962	2021/05/31	DOCUMENT NUMBER
	2 PLACES	\pm	DRWN: SKRISHNAMU01	2021/08/24	
	1 PLACE	\pm	CHK'D: WCHEN	2021/08/24	DOC TYPE
	0 PLACES	\pm	APPR: WCHEN	2021/08/24	DOC PART
	DRAFT WHERE APPLICABLE MUST REMAIN WITHIN DIMENSIONS		INITIAL REVISION:		REVISION
	THIRD ANGLE PROJECTION		DRWN: PGIBLIN	2005/10/25	SD-106125-X1X0
	DRAWING		APPR: IGUMIN	2005/10/26	
	B-SIZE		SERIES	106125	SEE TABLE
	MATERIAL NUMBER		CUSTOMER	GENERAL MARKET	SHEET NUMBER
	1 OF 1				

DOCUMENT STATUS	P1	RELEASE DATE	2021/08/24	01:00:17
-----------------	----	--------------	------------	----------