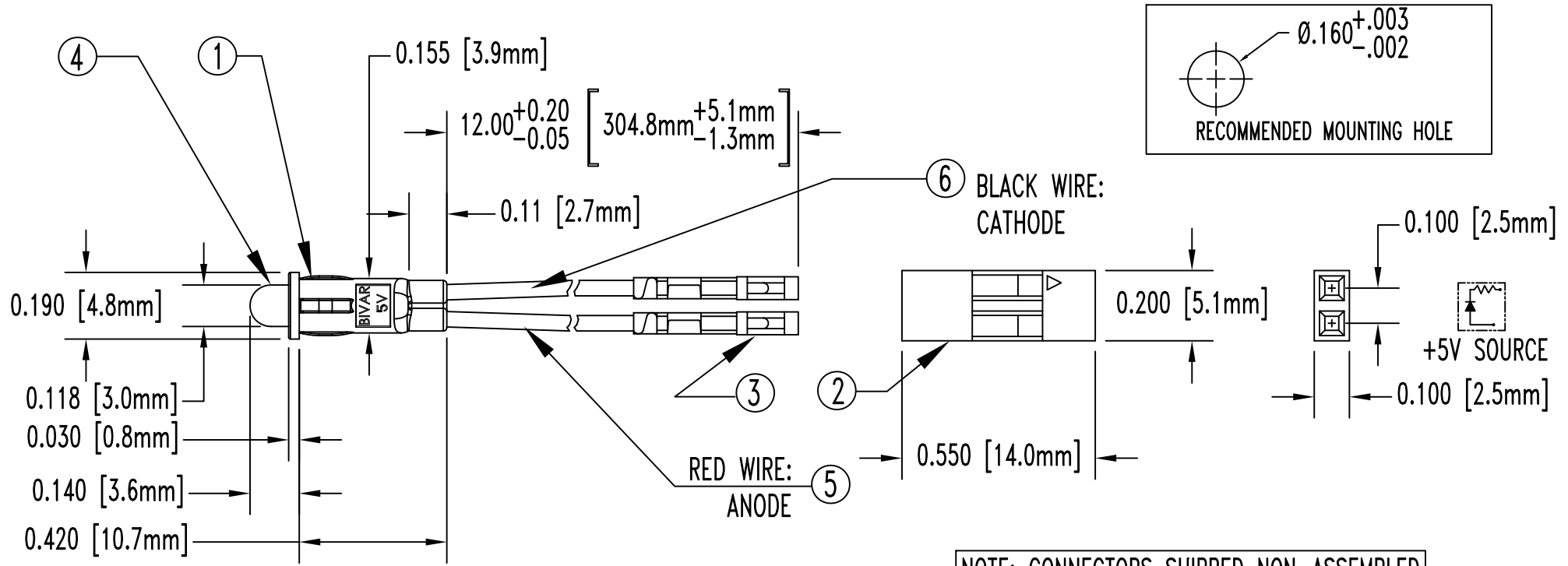


ITEM	Q'TY	PART NUMBER	PART DESCRIPTION
1	1	PM3-5V	LED HOLDER, PANEL MOUNT, PRESS FIT, (3mm)
2	1	2665S020000	LEOCO HOUSING# 2665S020000, PITCH .100", 1X
3	2	SEE DESCRIPTION	LEOCO TERMINAL# 2653TPB0001(REEL) 2653TPB00A1(BULK), 2X
4	1	3GC5V-S	T-1 (3mm) SHOULDERED LED, GREEN, 5 VOLT
5	1	BWS24-1061-RD	24AWG WIRE LEAD U.L. 1061, RED
6	1	BWS24-1061-BK	24AWG WIRE LEAD U.L. 1061, BLACK

REV	DESCRIPTION	DATE	APPROVED
A	ENGINEERING RELEASE.	09/23/03	MC
B	UPDATED PANEL MOUNT HOLDER	01/16/08	MC
C	UPDATE TO 3GC5V-S LED	11/19/08	TY



LED Part No.	Chip			Lens Appearance	Absolute Maximum Ratings				Electro-Optical Data @ 20mA			Viewing Angle (Deg.)
	Material	Emitted Color	Peak Wave Length λ_P (nm)		$\Delta\lambda$ (nm)	Pd (mW)	If (Typ) (mA)	Peak (If) (mA)	Vf (V)		Iv (mcd)	
3GC5V-S	GaP/GaP	GREEN	568	WATER CLEAR	-	-	8	12	Typ.	Max.	Typ.	30

ABSOLUTE MAXIMUM RATINGS (Ta = 25°C)

REVERSE CURRENT (VR=5V) _____ 100µA

OPERATING TEMPERATURE RANGE _____ -25°C ~ 85°C

STORAGE TEMPERATURE _____ -30°C ~ 100°C

LEAD SOLDERING TEMPERATURE (1/16" FROM BODY) _____ 260°C for 5 Seconds

UNLESS OTHERWISE SPECIFIED: DIMENSIONS ARE IN INCHES	
TOLERANCES	
DECIMALS	ANGULAR
.X ± .05	X° ± 1°
.XX ± .02	
.XXX ± .010	

Bivar®

4 THOMAS, IRVINE, CA.92618
TEL: (949) 951-8808 FAX: (949) 951-3074

PART NAME: T-1 (3mm) PANEL MOUNT

DESIGNER DAVID GREEN	DATE 09/23/03	SIZE A	DWG NAME	DWG NO. PM3GC5VW12-CBK	REV C
CHECKER M CHEN	DATE 09/23/03	SCALE 1=1	CAGE CODE 32559	SHEET 1 OF 1	