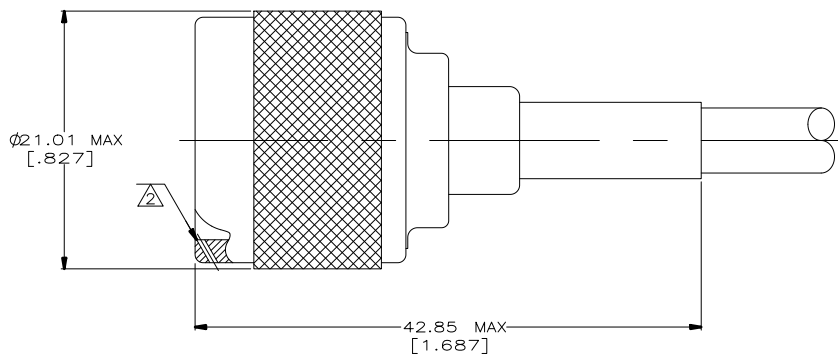
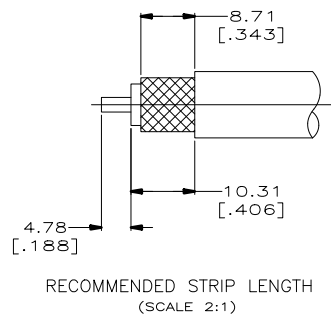


THIS DRAWING IS UNPUBLISHED.      RELEASED FOR PUBLICATION  
 © COPYRIGHT - TE Connectivity Ltd.      ALL RIGHTS RESERVED.

REVISIONS					
P	LTR	DESCRIPTION	DATE	DWN	APVD
	F2	REVISED PER ECO-20-002610	25FEB2020	RZ	RS



<del>OBSELETE</del>	RG-142/U,142A/U & 142B/U	225382-3	225343-4	225342-3	225361-7
<del>OBSELETE</del>	RG-142/U,142A/U & 142B/U	225382-3	225343-4	225342-3	225361-6
SUPERSEDED BY 5225361-4	RG-142/U,142A/U & 142B/U	225382-2	225343-4	225342-1	225361-4
	RG-55A/U & 223/U	225382-2	225343-2	225342-1	225361-2
	RG-58A/U & 58C/U	225381-2	225343-2	225342-1	225361-1
	CABLE SIZE	③ FERRULE QTY=1	② CONTACT QTY=1	① PLUG ASSY QTY=1	PART NUMBER

1. PARTS PACKAGED UNASSEMBLED.

② THREE SAFETY WIRE HOLES Ø0.61 [.024] MIN, EQUALLY SPACED AROUND CIRCUMFERENCE.

3. CRIMP TOOL: 220045-2

4. SEE I.S. 2028-1

⑤ BULK PACKAGED VERSION OF 225361-6

THIS DRAWING IS A CONTROLLED DOCUMENT.

DWN B. SCOTT 06-06-91	TE Connectivity PLUG, SERIES N	
CHK B. MOYER 1-3-92		
APVD -		
PRODUCT SPEC -		
APPLICATION SPEC -	SIZE A3	
MATERIAL -	FINISH -	
WEIGHT 0.000000	CAGE CODE 000779	
CUSTOMER DRAWING		DRAWING NO C=225361
SCALE 4:1		RESTRICTED TO -
SHEET 1 of 1		REV F2