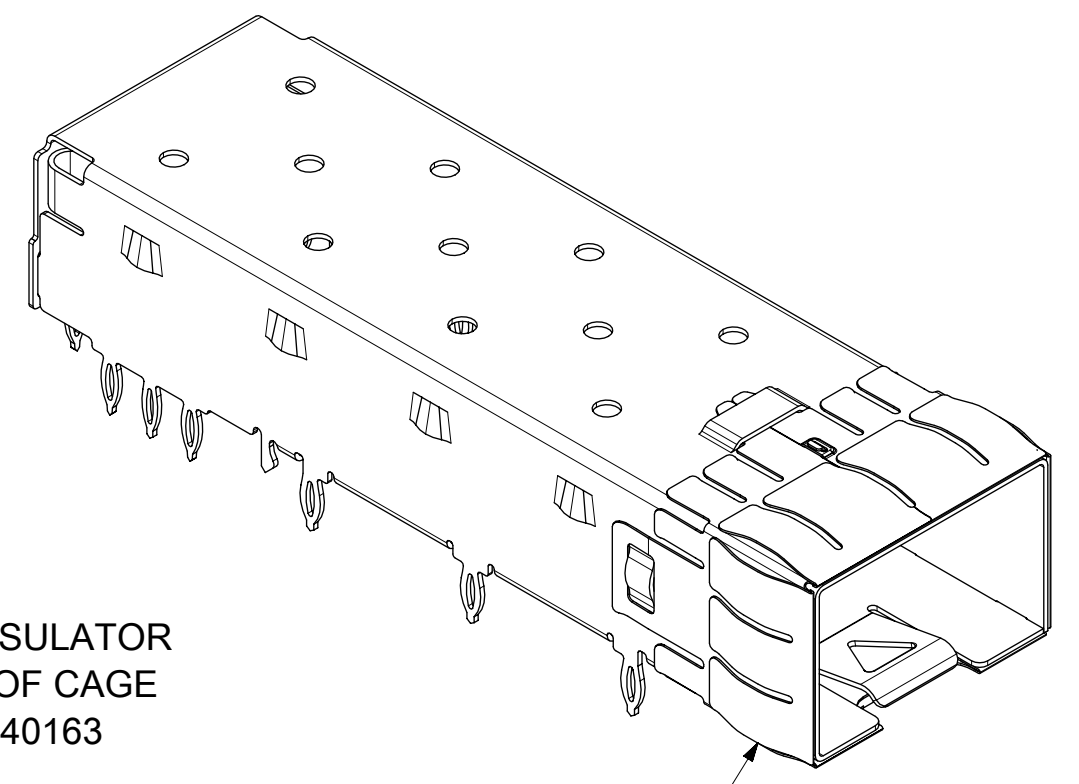
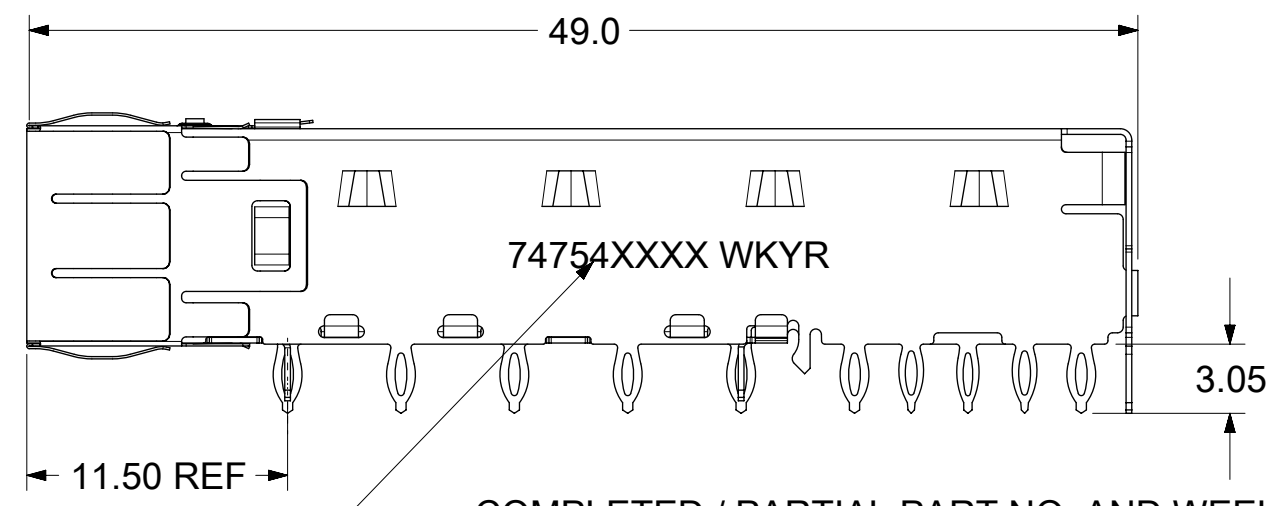
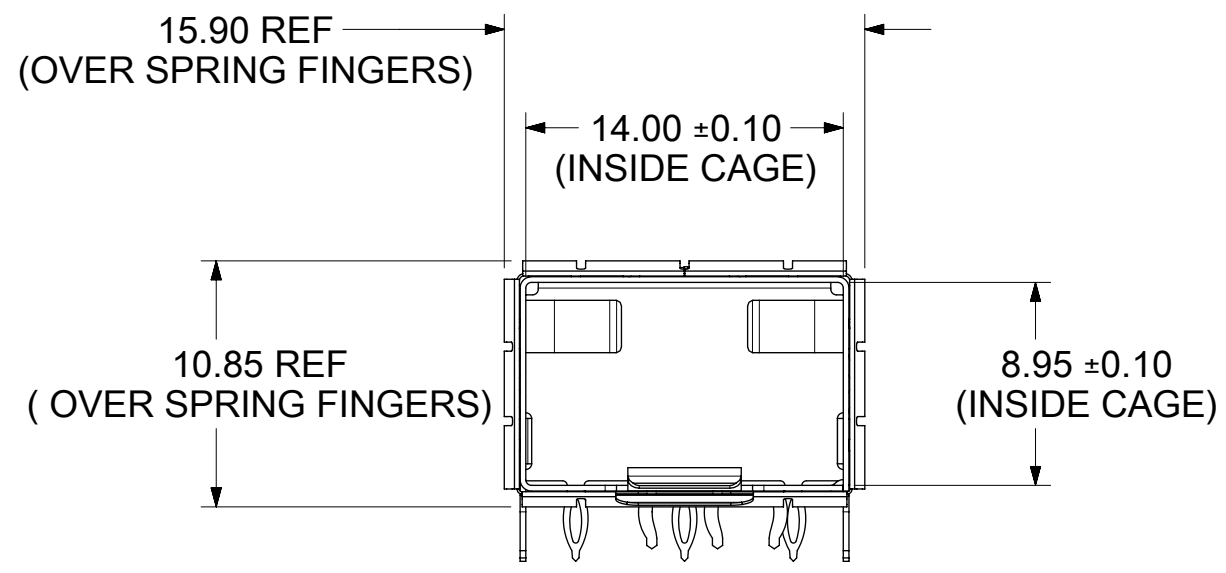


OPTIONAL POLYIMIDE INSULATOR ATTACHED TO BOTTOM OF CAGE MATERIAL NUMBER 747540163 REFERENCE



EMI SPRING FINGER

SFP+ 1X1 CAGE			
PART NO.	WELD POINT QUANTITY	PACKAGING	PLATING
747548101	0	TRAY	NICKEL
747548108	6	TRAY	NICKEL
747548109	0	TAPE & REEL	NICKEL



COMPLETED / PARTIAL PART NO. AND WEEK/YEAR DATE CODE TO BE PRINTED / STAMPED ON THE SIDE OF COMPLETED CAGE ASSEMBLY APPROXIMATELY AS SHOWN.

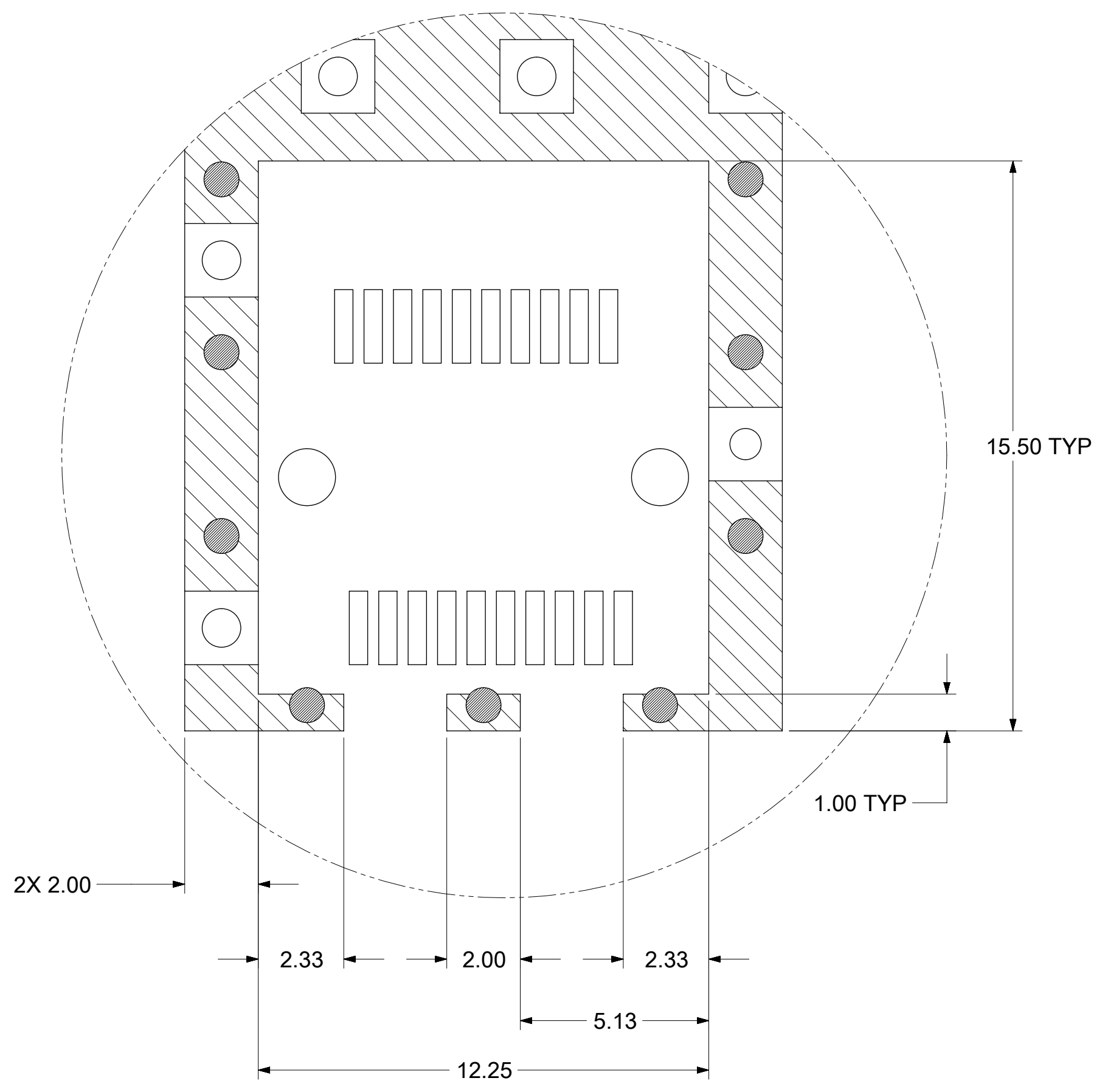
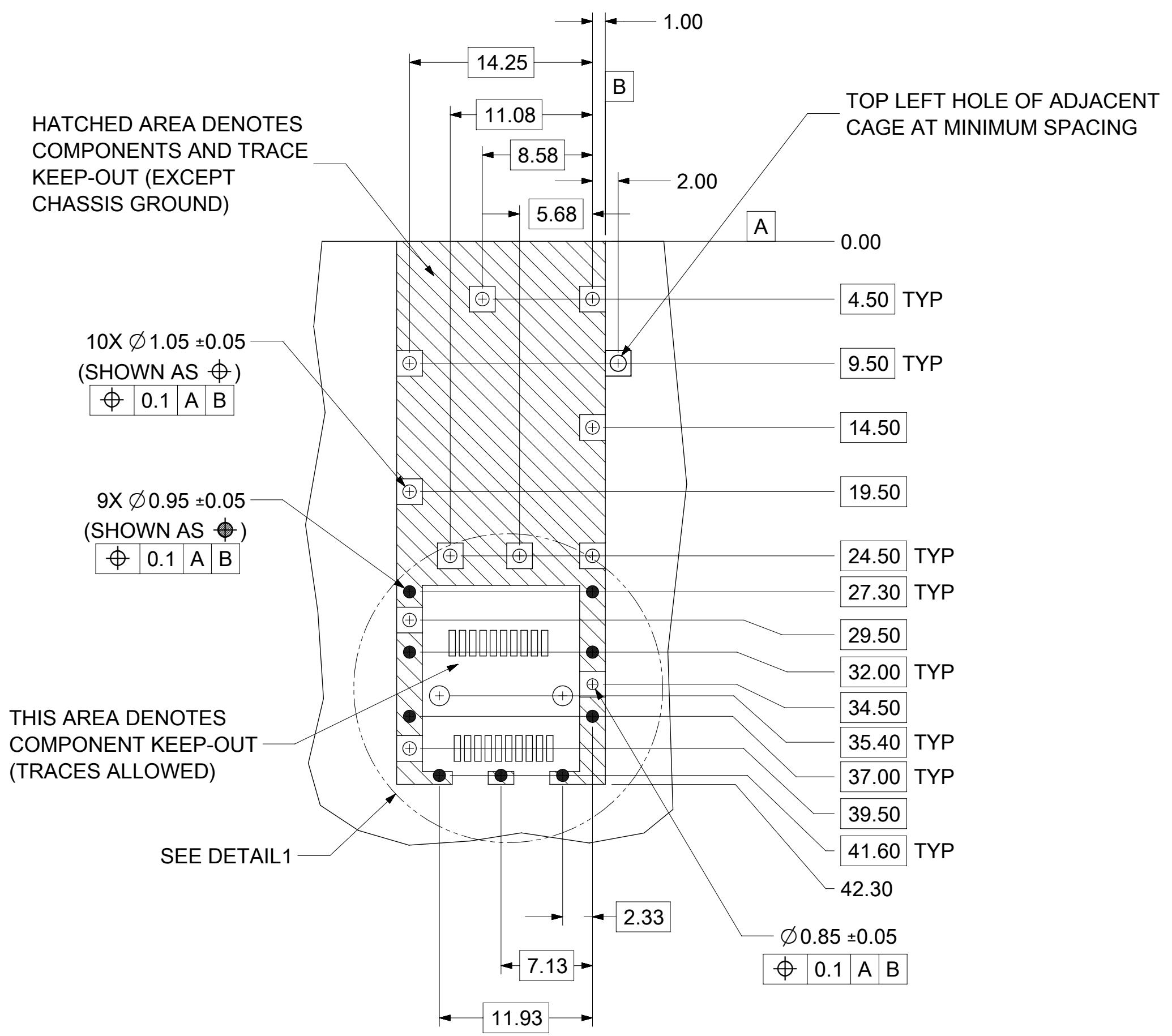
NOTES:

- MATERIAL:  
CAGE: COPPER ALLOY, THICKNESS 0.25mm, PLATING REFER TO TABLE.  
SPRING FINGER: STAINLESS STEEL
- PRESS FIT LEGS 3.05 LONG -  
1.57 MINIMUM PCB THICKNESS FOR SINGLE SIDED USE
- OPTIONAL LIGHT PIPE ASSEMBLY AVAILABLE
- PORTS ARE DESIGNED FOR SFP+ TRANSCEIVERS AND ARE BACKWARDS COMPATIBLE WITH SFP TRANSCEIVERS
- NO RoHS EXEMPTIONS

WEEK/YEAR DATE CODE TABLE	
WK	01 THRU 52 OR 53 EXAMPLE: 01 = FIRST WEEK OF YEAR 52 = LAST WEEK OF YEAR
YR	22, 23, 24 ETC. EXAMPLE: YEAR 2022 = 22

THIS DRAWING CONTAINS INFORMATION THAT IS PROPRIETARY TO MOLEX ELECTRONIC TECHNOLOGIES, LLC AND SHOULD NOT BE USED WITHOUT WRITTEN PERMISSION									
DIMENSION UNITS <b>mm</b>		SCALE <b>3:1</b>		CURRENT REV DESC:				<b>molex</b>	
GENERAL TOLERANCES (UNLESS SPECIFIED)		ANGULAR TOL ± 0.5°		EC NO: 707665					
4 PLACES ±		3 PLACES ±		DRWN: TKUMARKC		2022/05/31		SFP+ 1X1 CAGE ASSY PRESS FIT TYPE, WITH SUS EMI SPRING FINGERS	
2 PLACES ± 0.13		1 PLACE ± 0.25		CHK'D: TKUMARKC		2022/06/13			
0 PLACES ±		DRAFT WHERE APPLICABLE MUST REMAIN WITHIN DIMENSIONS		APPR: SCHIEN		2022/06/16		PRODUCT CUSTOMER DRAWING	
THIRD ANGLE PROJECTION		DRAWING		SERIES		DOCUMENT NUMBER		DOC TYPE   DOC PART   REVISION	
C-SIZE		74754		DRWN: CHETHH2		2022/05/16		747548101	
MATERIAL NUMBER		CUSTOMER		APPR: SCHIEN		2022/05/19		PSD ASY B	
SEE P/N TABLE								SHEET NUMBER 1 OF 5	

# PCB LAYOUT FOR SINGLE SIDE MOUNT

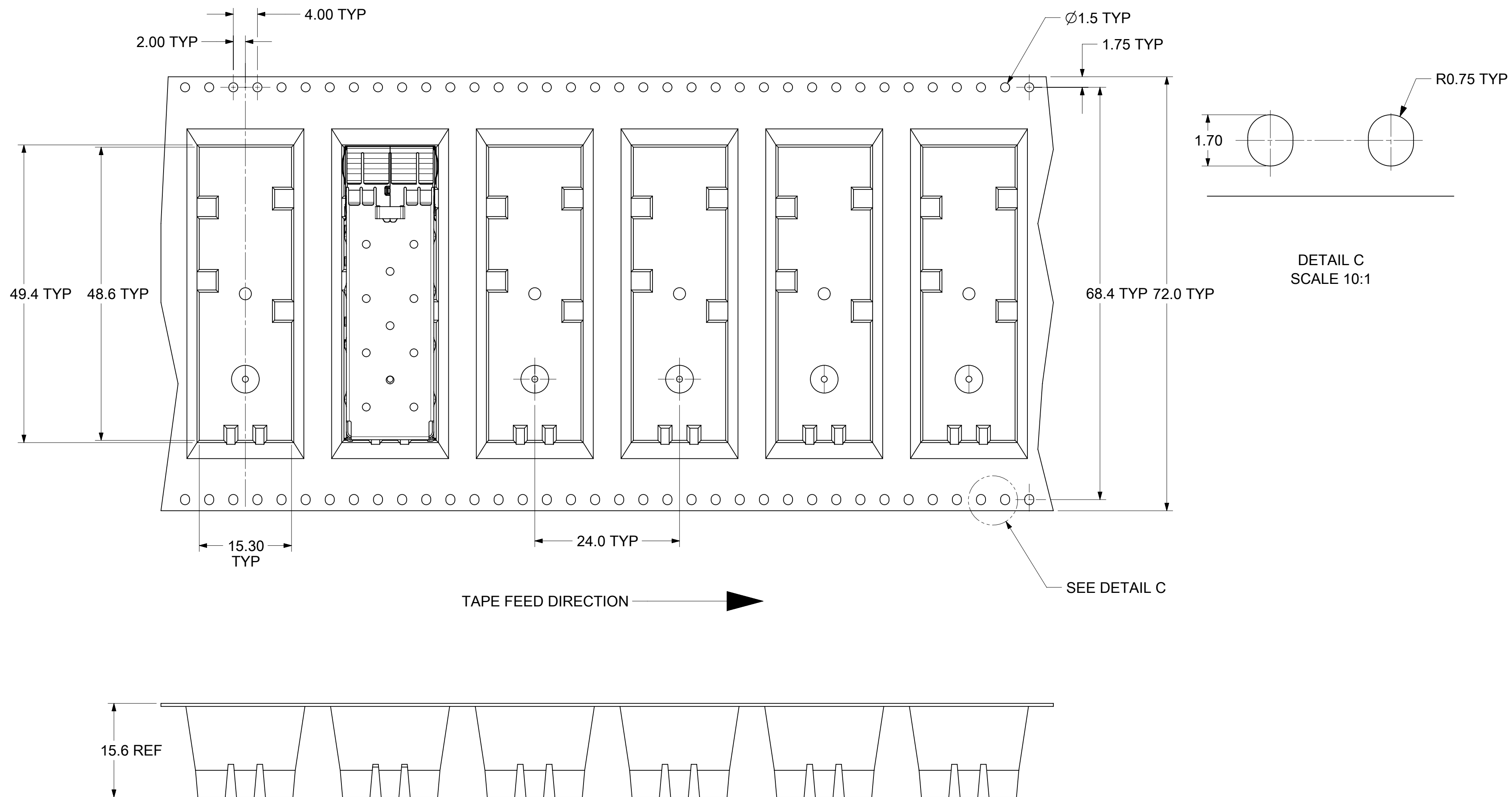


DETAIL 1  
SCALE 8:1  
HOST CONNECTOR DETAIL

- NOTES:
1. PADS AND VIAS CONNECT TO CHASSIS GROUND (RECOMMEND PADS TO BE 2.00mm SQUARE)
  2. RECOMMENDED THRU HOLE PLATING INCLUDES HASL, OSP, OR IMMERSION (GOLD, SILVER, OR TIN).
  3. CONNECTOR PAD LAYOUT PER SFP+ MSA WILL ACCOMMODATE MOLEX CONNECTOR SERIES 74441 OR EQUIVALENT.

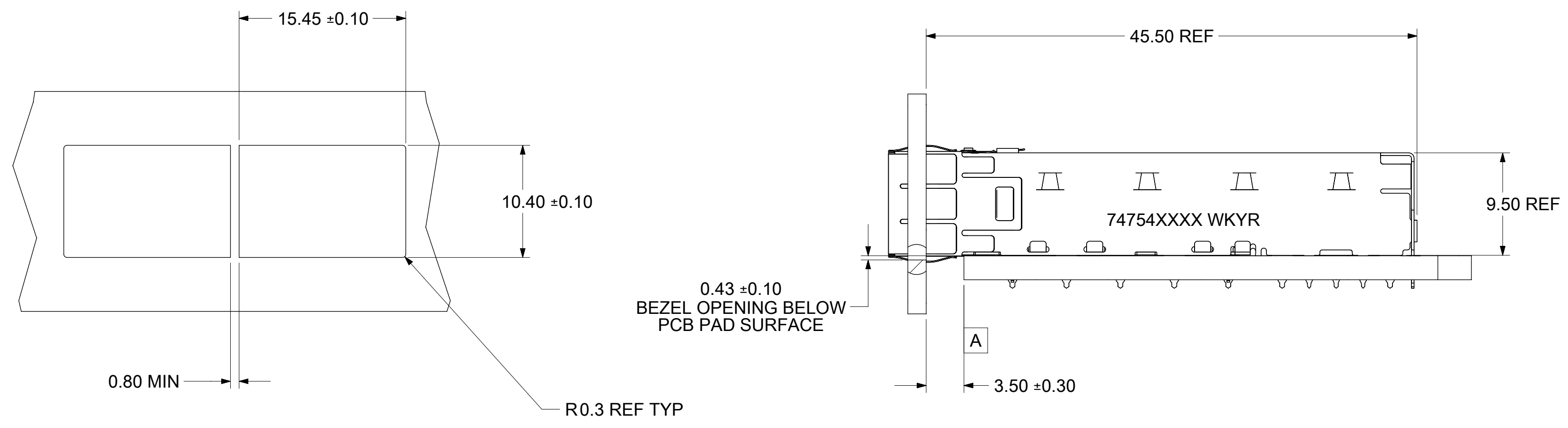
THIS DRAWING CONTAINS INFORMATION THAT IS PROPRIETARY TO MOLEX ELECTRONIC TECHNOLOGIES, LLC AND SHOULD NOT BE USED WITHOUT WRITTEN PERMISSION									
DIMENSION UNITS		SCALE		CURRENT REV DESC:				<b>molex</b>	
mm		3:1							
GENERAL TOLERANCES (UNLESS SPECIFIED)				EC NO: 707665				SFP+ 1X1 CAGE ASSY PRESS FIT TYPE, WITH SUS EMI SPRING FINGERS	
ANGULAR TOL ± 0.5°				DRWN: TKUMARKC 2022/05/31					
4 PLACES ±				CHK'D: TKUMARKC 2022/06/13				PRODUCT CUSTOMER DRAWING	
3 PLACES ±				APPR: SCHIEN 2022/06/16					
2 PLACES ± 0.13				INITIAL REVISION:				DOCUMENT NUMBER	
1 PLACE ± 0.25				DRWN: CHETHH2 2022/05/16				747548101	
0 PLACES ±				APPR: SCHIEN 2022/05/19				PSD ASY B	
DRAFT WHERE APPLICABLE MUST REMAIN WITHIN DIMENSIONS		THIRD ANGLE PROJECTION		DRAWING		SERIES		MATERIAL NUMBER	
				C-SIZE		74754		SEE P/N TABLE	
								CUSTOMER	
								SHEET NUMBER	
								2 OF 5	

# APPLIES FOR 747548109



THIS DRAWING CONTAINS INFORMATION THAT IS PROPRIETARY TO MOLEX ELECTRONIC TECHNOLOGIES, LLC AND SHOULD NOT BE USED WITHOUT WRITTEN PERMISSION									
DIMENSION UNITS		SCALE		CURRENT REV DESC:					
mm		2:1							
GENERAL TOLERANCES (UNLESS SPECIFIED)									
ANGULAR TOL ± 0.5°				EC NO: 707665					
4 PLACES ±				DRWN: TKUMARKC		2022/05/31			
3 PLACES ±				CHK'D: TKUMARKC		2022/06/13			
2 PLACES ± 0.13				APPR: SCHIEN		2022/06/16			
1 PLACE ± 0.25				INITIAL REVISION:					
0 PLACES ±				DRWN: CHETHH2		2022/05/16			
				APPR: SCHIEN		2022/05/19			
DRAFT WHERE APPLICABLE MUST REMAIN WITHIN DIMENSIONS				THIRD ANGLE PROJECTION		DRAWING		SERIES	
						C-SIZE		74754	
DOCUMENT STATUS				P1		RELEASE DATE		2022/06/16 10:32:47	
DOCUMENT NUMBER				747548101		DOC TYPE		PSD	
CUSTOMER				SEE P/N TABLE		DOC PART		ASY	
SHEET NUMBER				3 OF 5		REVISION		B	

# BEZEL AND BOARD POSITION DIMENSIONS FOR SINGLE SIDE MOUNTING (SPRING FINGER)



THIS DRAWING CONTAINS INFORMATION THAT IS PROPRIETARY TO MOLEX ELECTRONIC TECHNOLOGIES, LLC AND SHOULD NOT BE USED WITHOUT WRITTEN PERMISSION									
DIMENSION UNITS	SCALE	CURRENT REV DESC:				molex			
mm	3:1					SFP+ 1X1 CAGE ASSY PRESS FIT TYPE, WITH SUS EMI SPRING FINGERS			
GENERAL TOLERANCES (UNLESS SPECIFIED)		EC NO: 707665				PRODUCT CUSTOMER DRAWING			
ANGULAR TOL ± 0.5°		DRWN: TKUMARKC 2022/05/31							
4 PLACES ±		CHK'D: TKUMARKC 2022/06/13				DOCUMENT NUMBER <b>747548101</b>			
3 PLACES ±		APPR: SCHIEN 2022/06/16							
2 PLACES ± 0.13		INITIAL REVISION:				MATERIAL NUMBER SEE P/N TABLE			
1 PLACE ± 0.25		DRWN: CHETHH2 2022/05/16							
0 PLACES ±		APPR: SCHIEN 2022/05/19				CUSTOMER SHEET NUMBER 4 OF 5			
DRAFT WHERE APPLICABLE MUST REMAIN WITHIN DIMENSIONS		THIRD ANGLE PROJECTION 		DRAWING <b>C-SIZE</b>	SERIES <b>74754</b>				



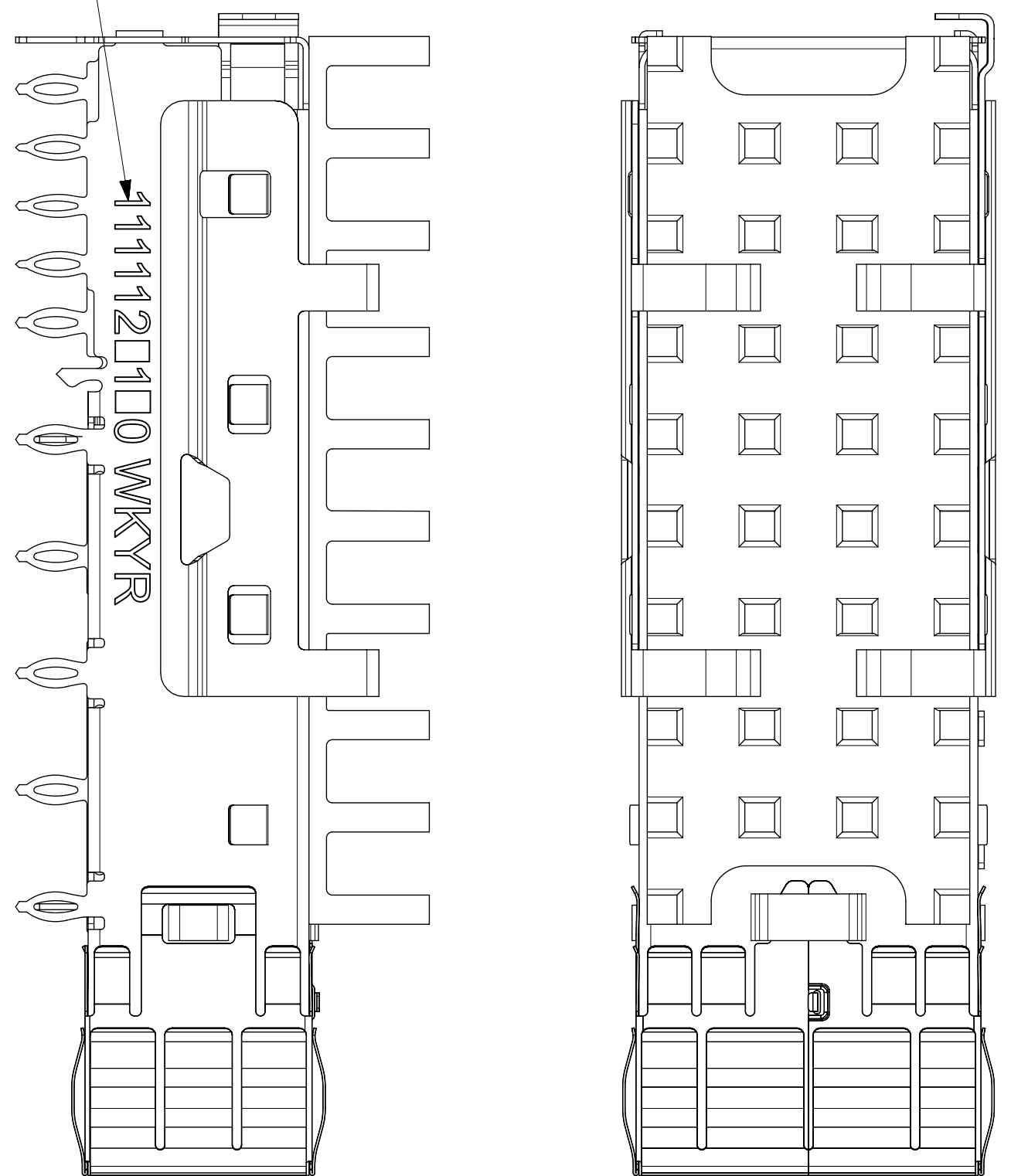


111112-9120  
SHOWN ASSEMBLED

HEATSINK SPRING CLIP  
MATERIAL NUMBER  
111112-1001  
(REFERENCE)

SFP+ CAGE ASSEMBLY  
WITH FRONT SPRING FINGERS

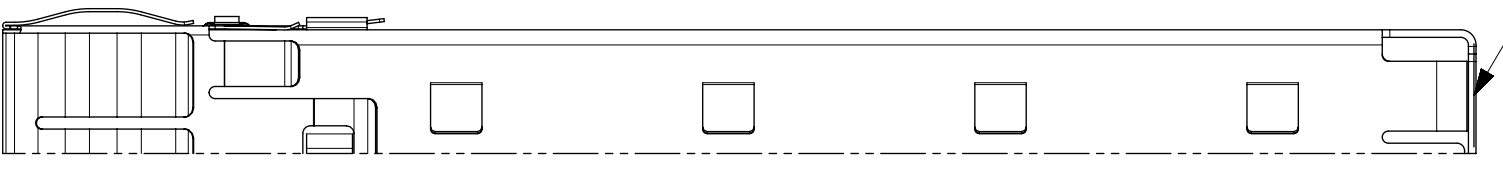
CAGE IDENTIFICATION:  
KIT MATERIAL NUMBER  
DATE CODE:  
WK = WEEK 01 THROUGH 52.  
EXAMPLE: 01 = FIRST WEEK OF YEAR, 52 = LAST WEEK OF YEAR  
YR = LAST TWO DIGITS OF THE YEAR. 22, 23, 24,  
ETC. EXAMPLE: 2022 = 22.



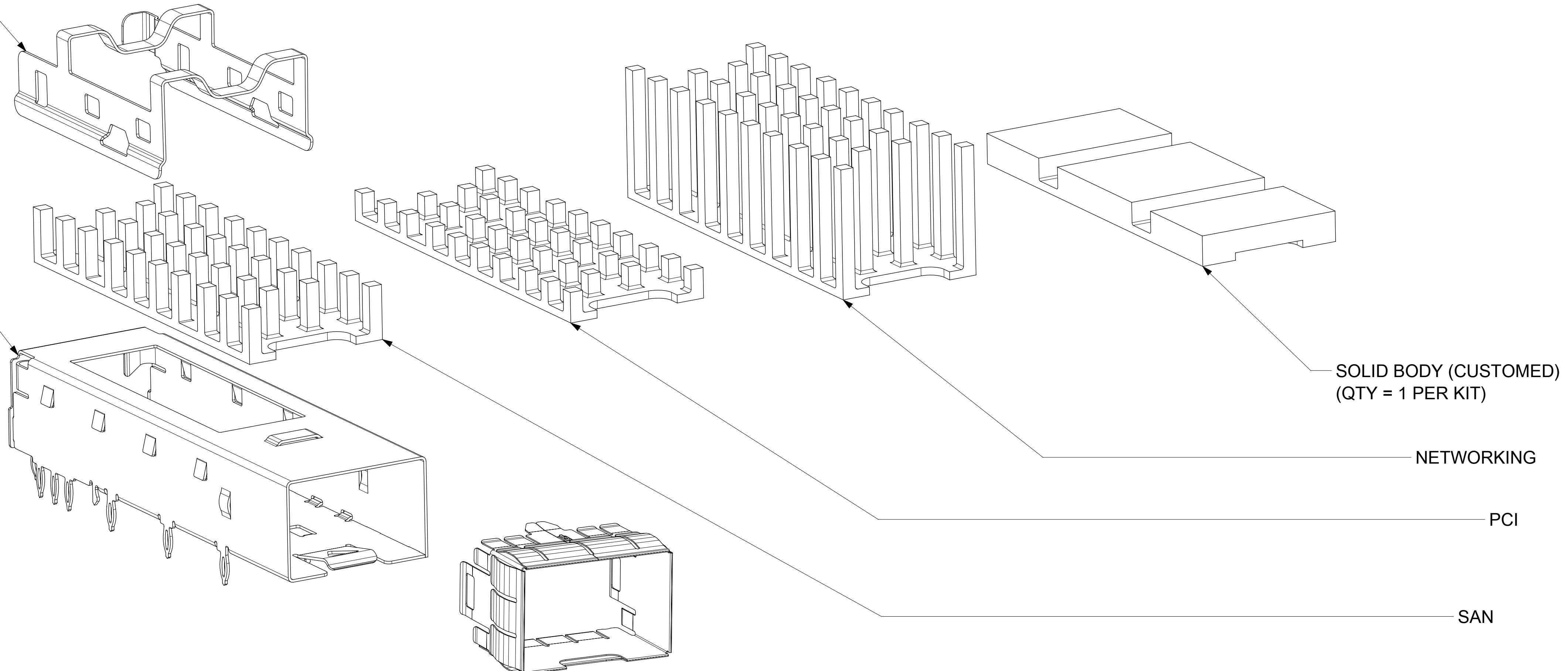
HEATSINK IS  
REVERSIBLE

'B'  
TYP

HEATSINK SPRING CLIP TAB  
MUST BE ORIENTED TOWARDS  
THE REAR OF THE CAGE



EXPLODED VIEW



SOLID BODY (CUSTOMED)  
(QTY = 1 PER KIT)

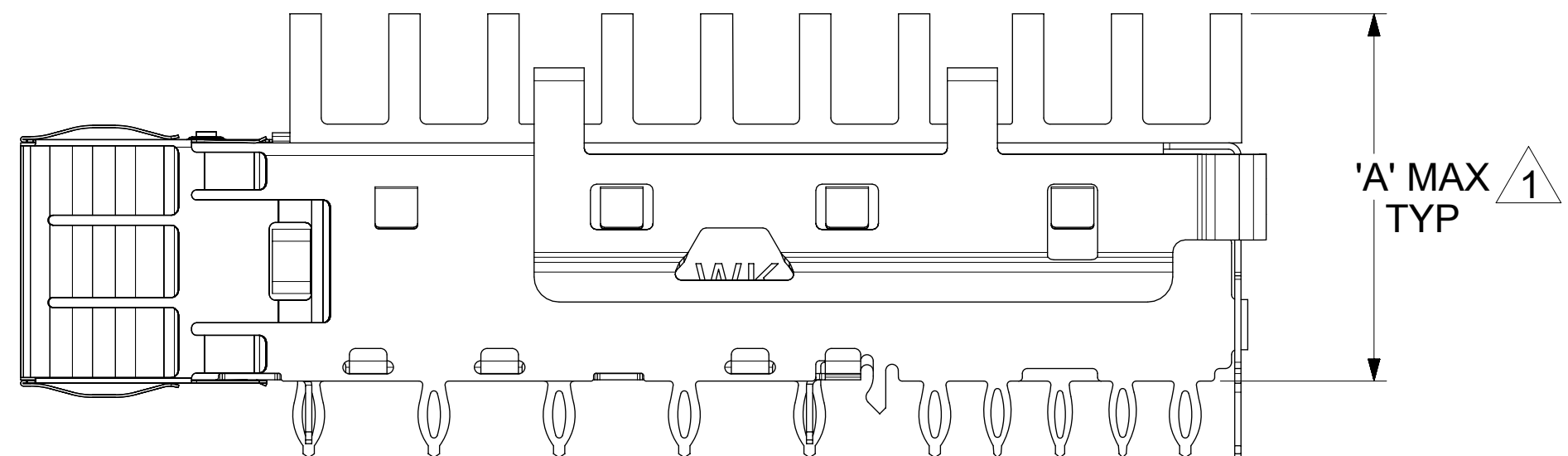
NETWORKING

PCI

SAN

KIT MAT'L NUMBER	APPLICATION	CAGE ASSY	ASSEMBLED DIM 'A'	HEATSINK DIM 'B' (REF)	HEATSINK MAT'L NO. (REF)	POLYIMIDE GASKET ATTACHED
STANDARD CAGE						
111112-8120	PCI	111112-8101	14.0	4.2	111112-2001	NO
111112-9120	SAN	111112-8101	16.3	6.5	111112-2002	NO
111112-7120	NETWORKING	111112-8101	23.3	13.5	111112-2003	NO
111112-8121	SOLID BODY	111112-8101	14.15	4.4	111112-2030	NO

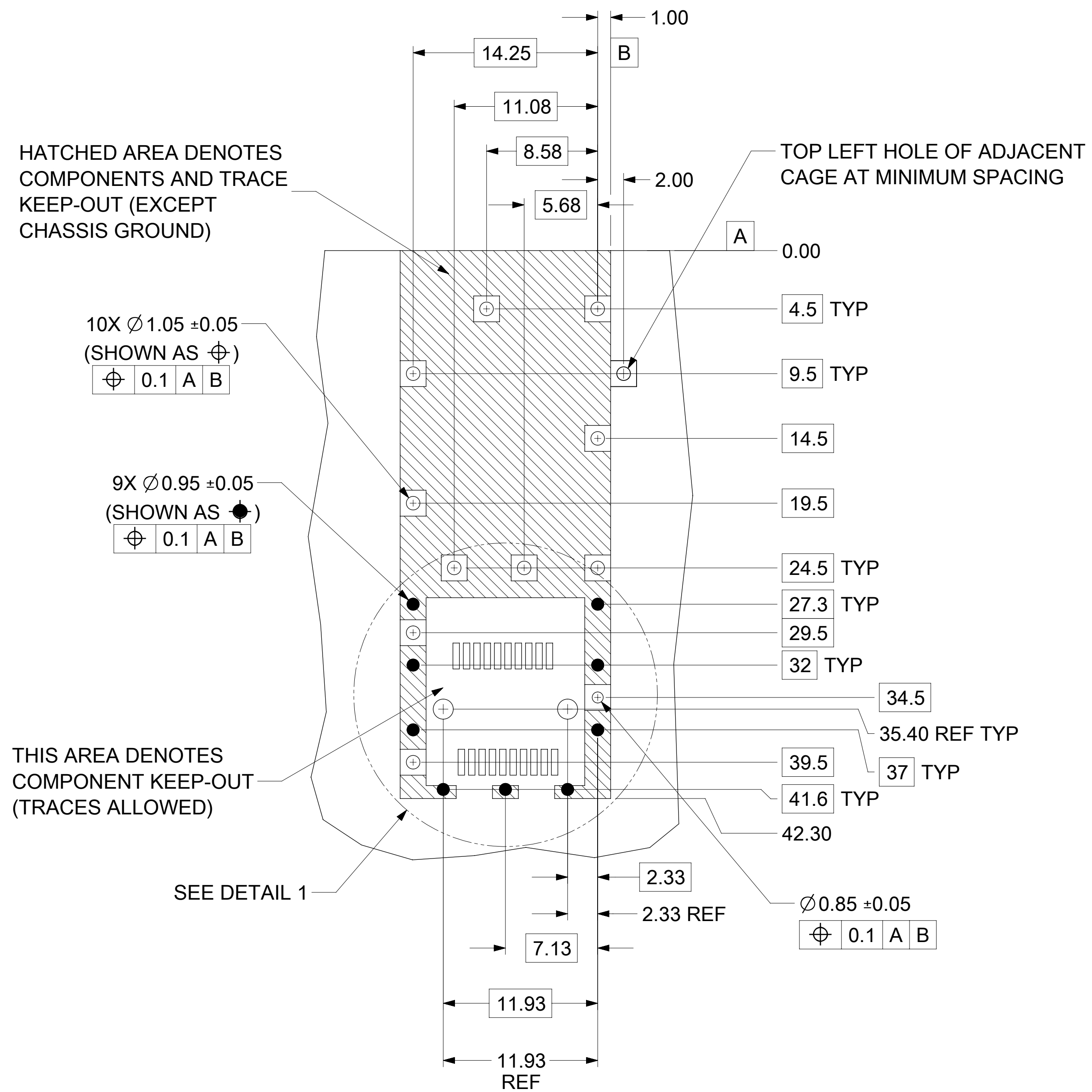
1 HEIGHT OF HEATSINK WITH MODULE INSERTED.  
DIMENSION MAY BE LESS DUE TO MODULE AND HEATSINK VARIATIONS.



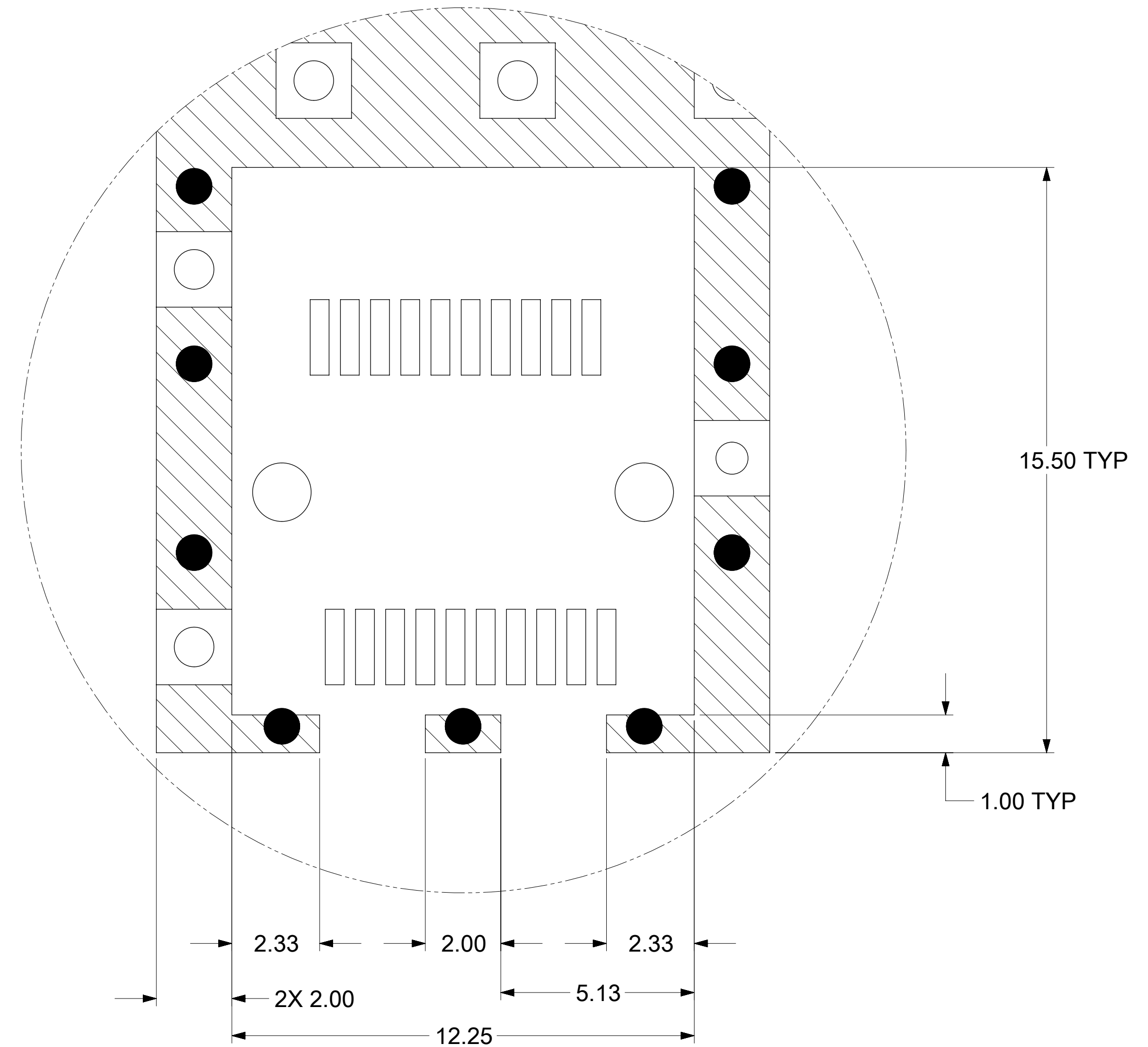
'A' MAX  
TYP 1

FUNCTIONAL SYMBOLS FA = 0 FE = 0 FP = 0	THIS DRAWING CONTAINS INFORMATION THAT IS PROPRIETARY TO MOLEX ELECTRONIC TECHNOLOGIES, LLC AND SHOULD NOT BE USED WITHOUT WRITTEN PERMISSION		CURRENT REV DESC: SEE REVISION TABLE		
	DIMENSION UNITS mm	SCALE 4:1			
DIVISIONAL SYMBOLS 4 PLACES ± 3 PLACES ± 2 PLACES ± 0.13 1 PLACE ± 0.25 0 PLACES ±	GENERAL TOLERANCES (UNLESS SPECIFIED)		EC NO: 707262		
	ANGULAR TOL ± 1.0°		DRWN: ABHILT2 2022/04/07		
			CHK'D: TKUMARKC 2022/05/25		
			APPR: SCHIEN 2022/05/27		
			INITIAL REVISION: DRWN: ABHILT2 2022/04/07		
		APPR: SCHIEN 2022/05/27			
DRAFT WHERE APPLICABLE MUST REMAIN WITHIN DIMENSIONS		THIRD ANGLE PROJECTION	DRAWING D-SIZE	SERIES 111112	MATERIAL NUMBER SEE SHEET 2
DOCUMENT STATUS P1		RELEASE DATE 2022/05/27 10:20:26	<b>molex</b>		
			SFP+ 1X1 CAGE ASSY PRESS FIT TYPE, W/ SUS EMI SPRING FINGERS & HEAT SINK		
			PRODUCT CUSTOMER DRAWING		
		DOCUMENT NUMBER 1111128101	DOC TYPE PSD	DOC PART ASY	REVISION A
		CUSTOMER		SHEET NUMBER 2 OF 5	

# PCB LAYOUT FOR SINGLE SIDE MOUNT



## HOST CONNECTOR DETAIL



DETAIL 1  
SCALE 10:1

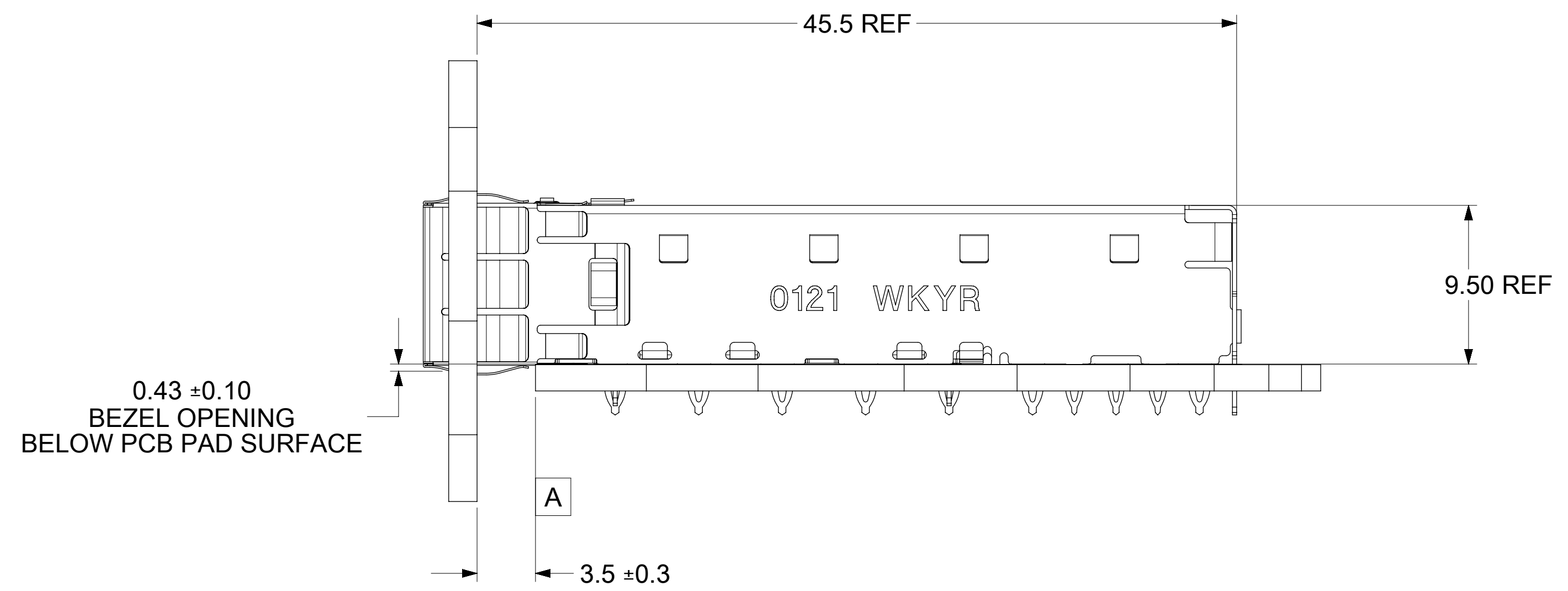
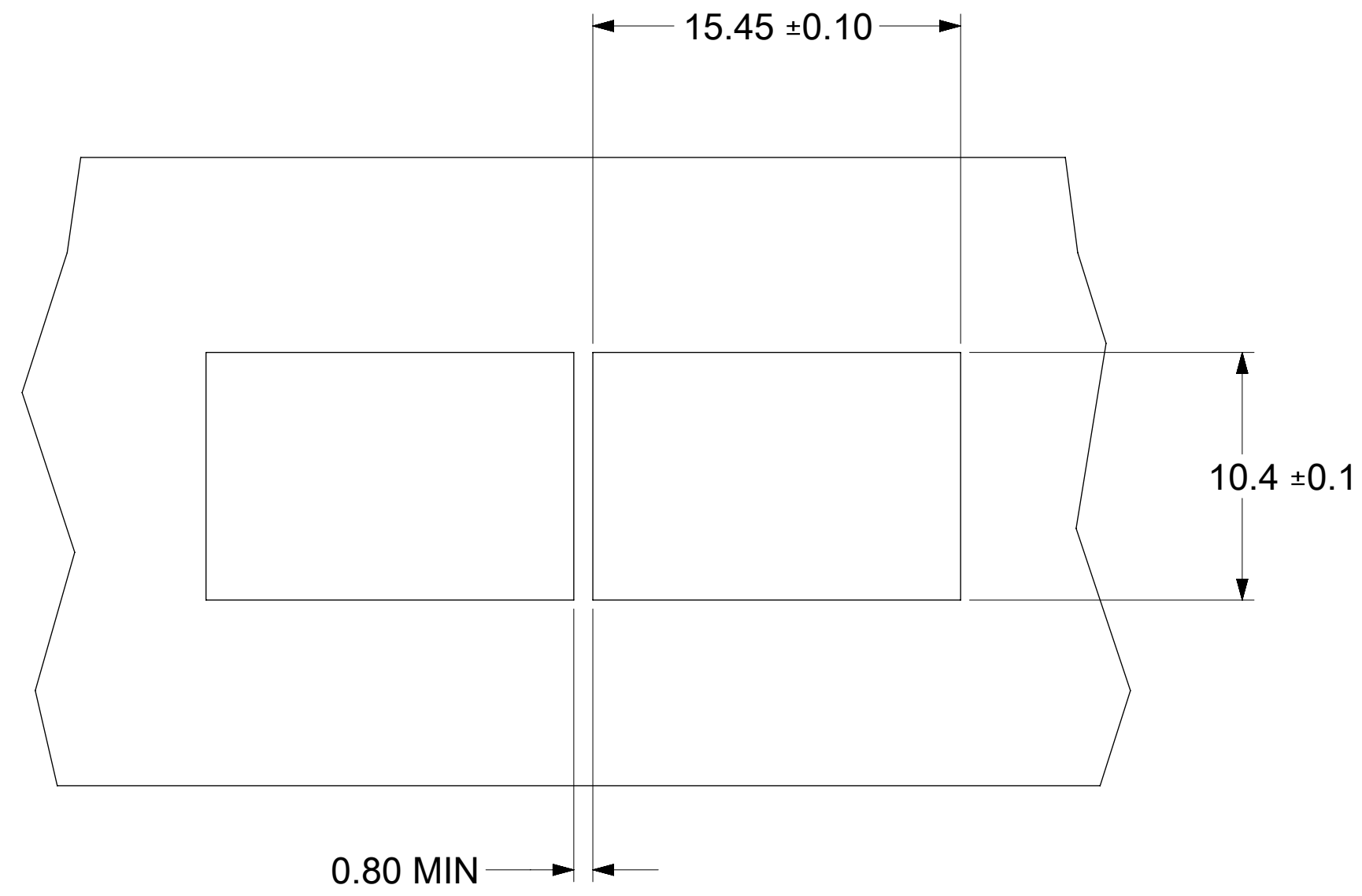
### NOTES:

1. PADS AND VIAS CONNECT TO CHASSIS GROUND (RECOMMEND PADS TO BE 2.00mm SQUARE)
2. RECOMMENDED THRU HOLE PLATING INCLUDES HASL, OSP, OR IMMERSION (GOLD, SILVER, OR TIN).
3. CONNECTOR PAD LAYOUT PER SFP+ MSA WILL ACCOMMODATE MOLEX CONNECTOR SERIES 74441 OR EQUIVALENT.

FUNCTIONAL SYMBOLS	THIS DRAWING CONTAINS INFORMATION THAT IS PROPRIETARY TO MOLEX ELECTRONIC TECHNOLOGIES, LLC AND SHOULD NOT BE USED WITHOUT WRITTEN PERMISSION		CURRENT REV DESC: SEE REVISION TABLE		<b>molex</b>
	FA = 0	mm	SCALE 4:1		
DIVISIONAL SYMBOLS	GENERAL TOLERANCES (UNLESS SPECIFIED)		EC NO: 707262		SHEET NUMBER 3 OF 5
	FC = 0	ANGULAR TOL ± 1.0°		DRWN: ABHILT2 2022/04/07	
FUNCTIONAL SYMBOLS	FP = 0	4 PLACES	±	CHK'D: TKUMARKC 2022/05/25	PRODUCT CUSTOMER DRAWING
		3 PLACES	±	APPR: SCHIEN 2022/05/27	
		2 PLACES	± 0.13	INITIAL REVISION:	DOCUMENT NUMBER 1111128101
		1 PLACE	± 0.25	DRWN: ABHILT2 2022/04/07	
	0 PLACES	±	APPR: SCHIEN 2022/05/27	DOC TYPE PSD	
DRAFT WHERE APPLICABLE MUST REMAIN WITHIN DIMENSIONS		THIRD ANGLE PROJECTION		DRAWING D-SIZE	SERIES 111112
				MATERIAL NUMBER SEE SHEET 2	CUSTOMER



# BEZEL AND BOARD POSITION DIMENSIONS FOR SINGLE SIDE MOUNTING (SPRING FINGER)



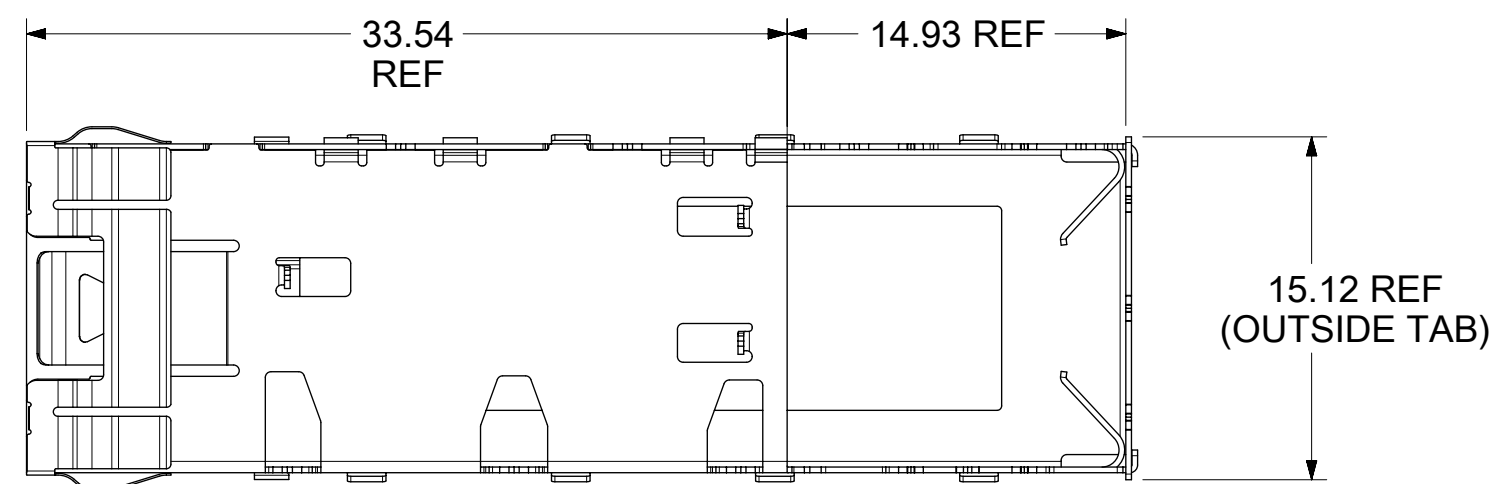
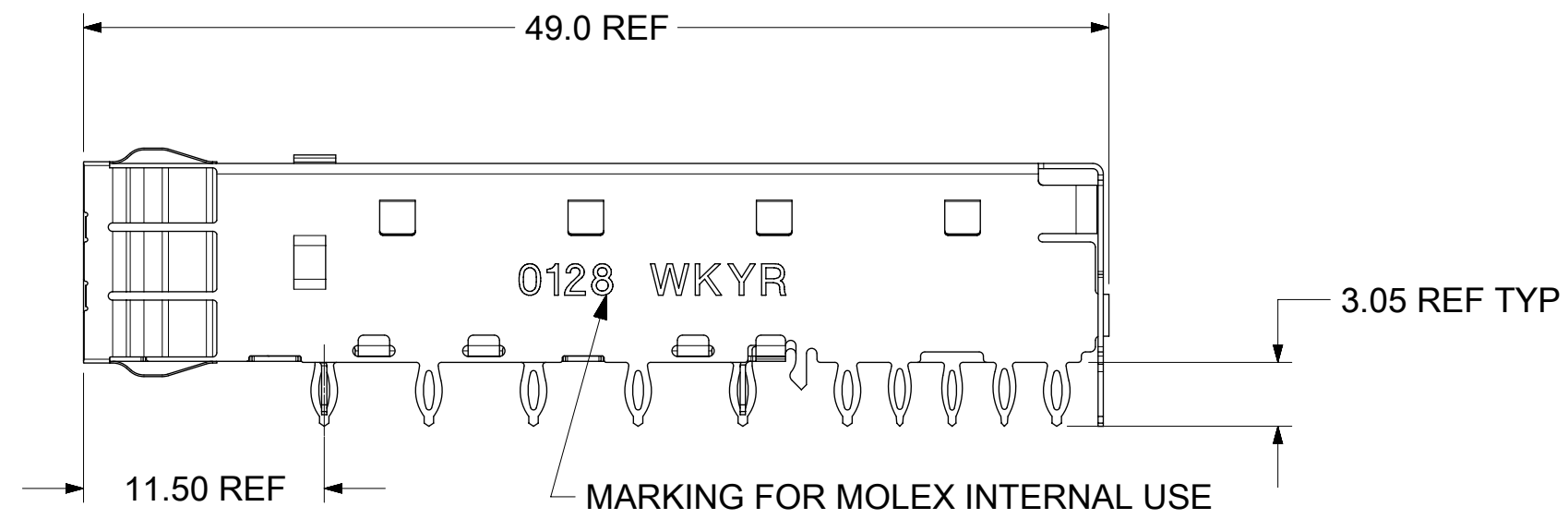
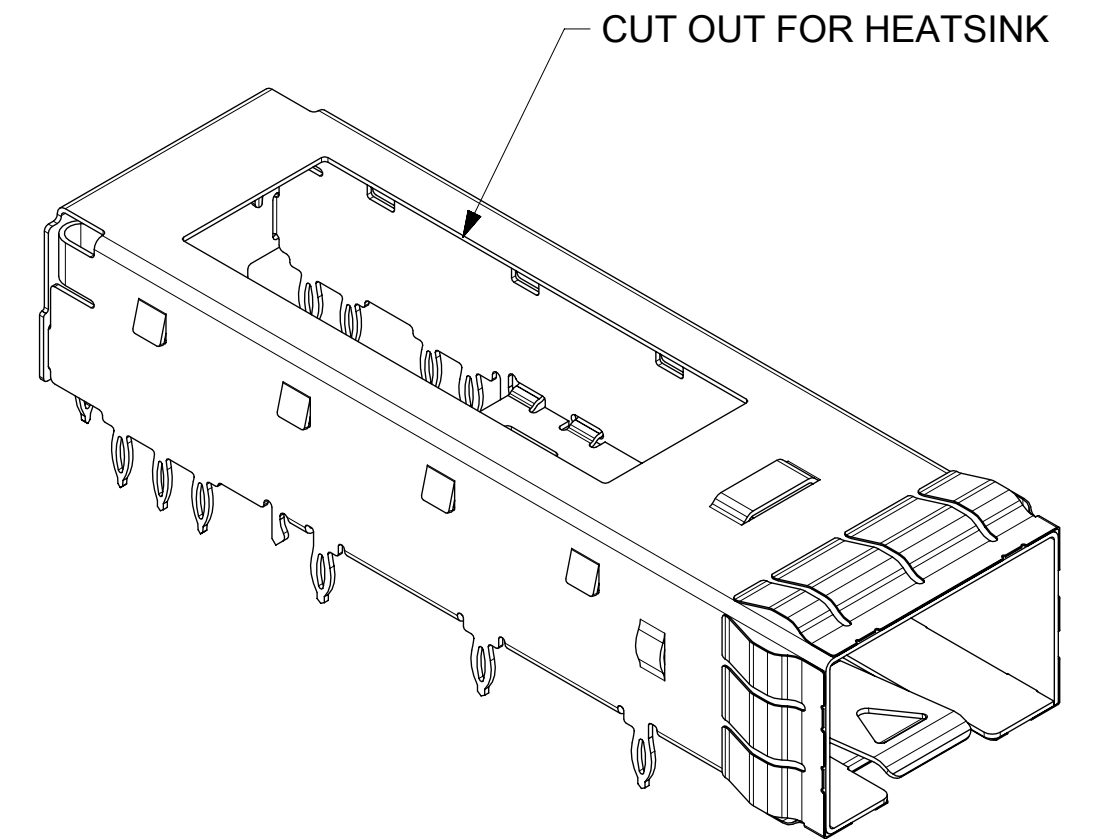
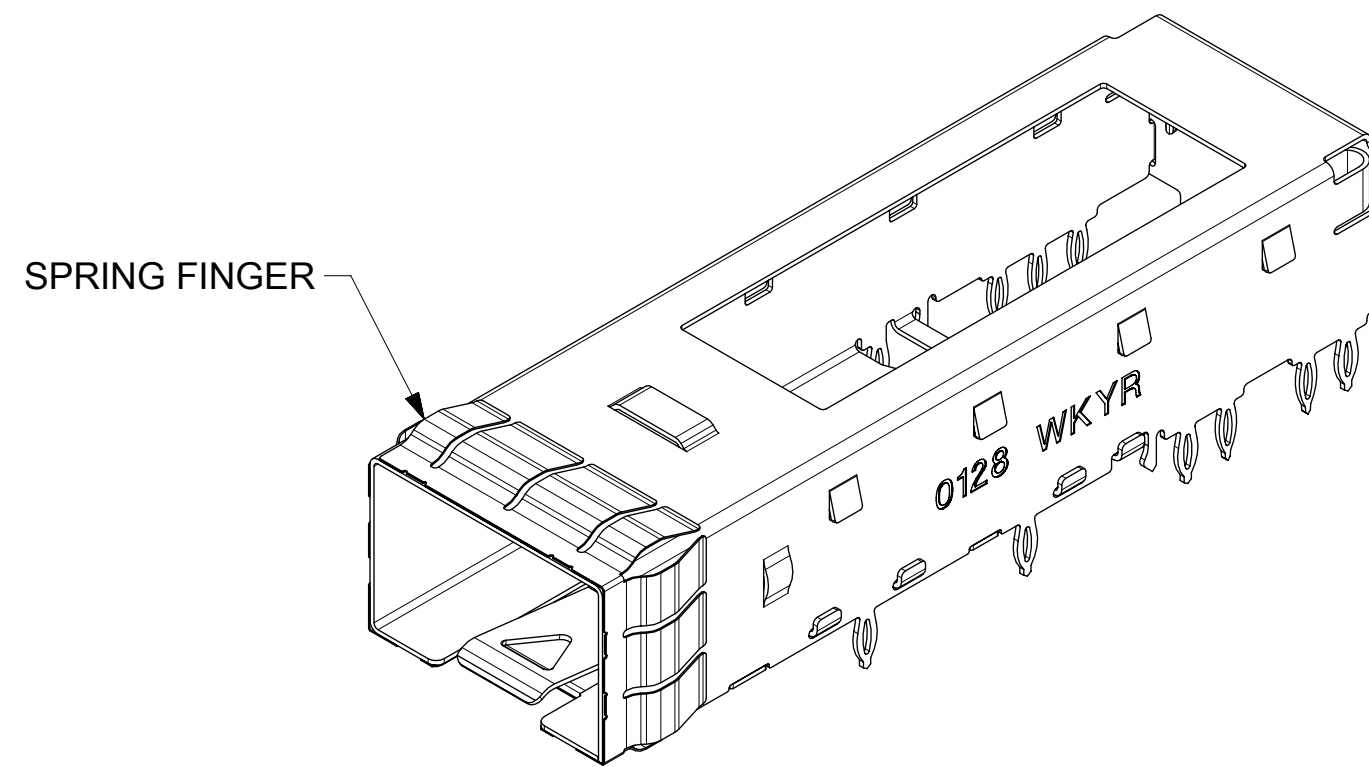
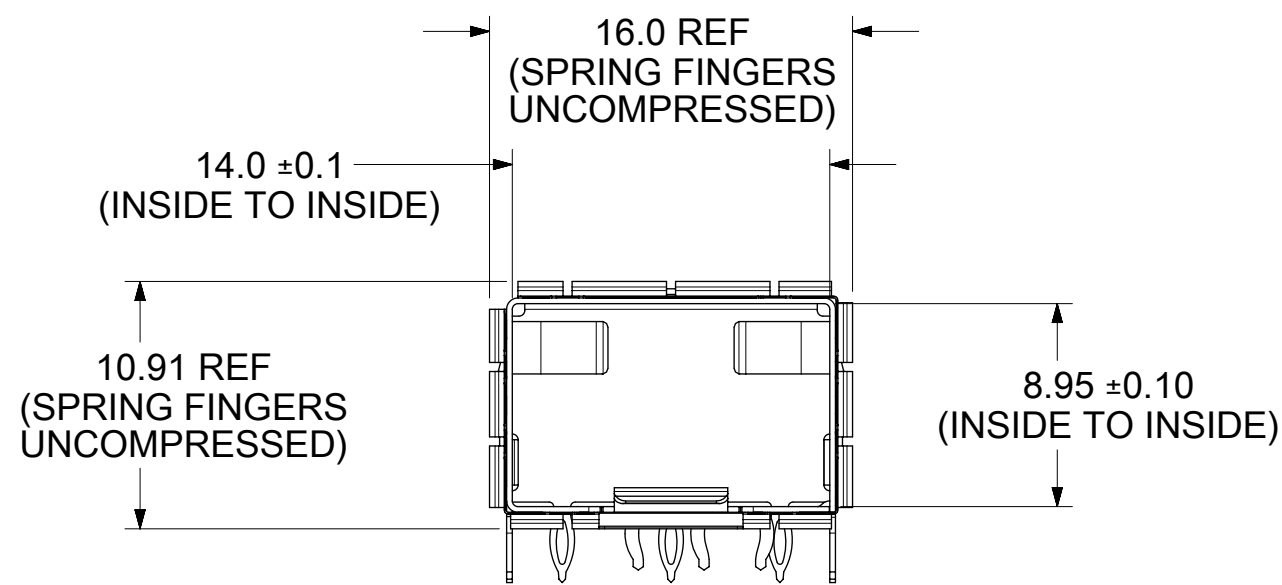
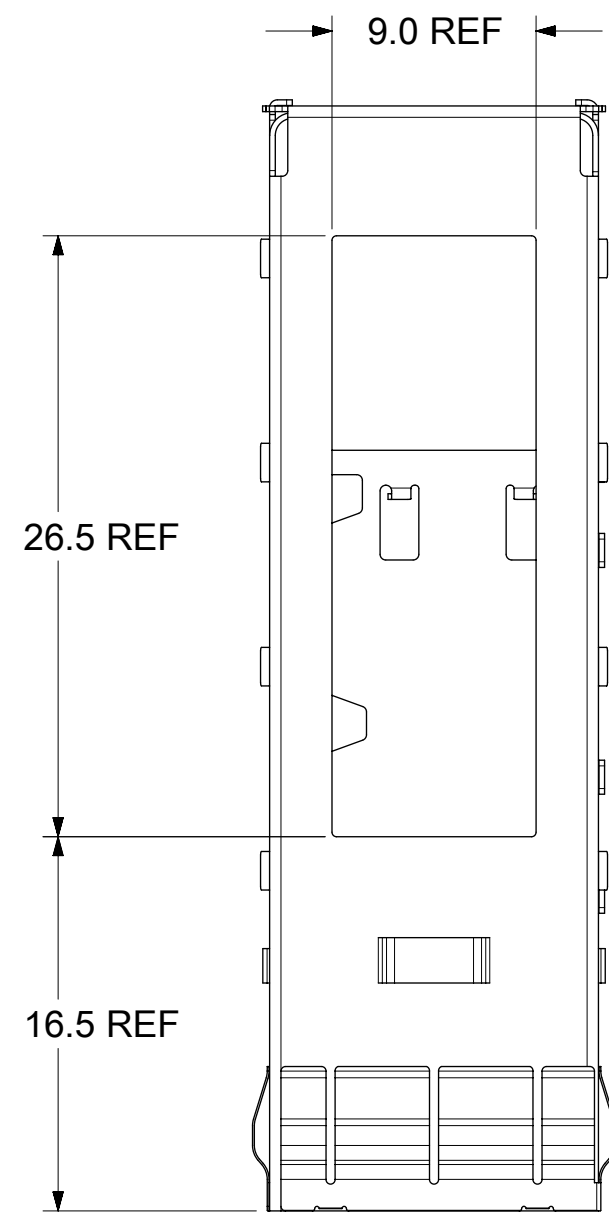
FUNCTIONAL SYMBOLS	THIS DRAWING CONTAINS INFORMATION THAT IS PROPRIETARY TO MOLEX ELECTRONIC TECHNOLOGIES, LLC AND SHOULD NOT BE USED WITHOUT WRITTEN PERMISSION		
	DIMENSION UNITS	SCALE	CURRENT REV DESC: SEE REVISION TABLE
$\nabla_A = 0$	mm	1:1	EC NO: 707262 DRWN: ABHILT2 2022/04/07 CHK'D: TKUMARKC 2022/05/25 APPR: SCHIEN 2022/05/27
$\nabla_C = 0$	GENERAL TOLERANCES (UNLESS SPECIFIED)		
$\nabla_P = 0$	ANGULAR TOL ± 1.0°		INITIAL REVISION: DRWN: ABHILT2 2022/04/07 APPR: SCHIEN 2022/05/27
DIVISIONAL SYMBOLS	4 PLACES	±	
	3 PLACES	±	DOCUMENT NUMBER <b>1111128101</b>
	2 PLACES	± 0.13	
	1 PLACE	± 0.25	DOC TYPE PSD
	0 PLACES	±	DOC PART ASY
DRAFT WHERE APPLICABLE MUST REMAIN WITHIN DIMENSIONS	THIRD ANGLE PROJECTION	DRAWING	REVISION <b>A</b>
		<b>D-SIZE</b>	MATERIAL NUMBER SEE SHEET 2
		SERIES <b>111112</b>	CUSTOMER SHEET NUMBER <b>4 OF 5</b>

REVISION	DATE	DESCRIPTION
A	2022/05/25	INITIAL RELEASE

<b>FUNCTIONAL SYMBOLS</b> FA = 0 FC = 0 FP = 0	THIS DRAWING CONTAINS INFORMATION THAT IS PROPRIETARY TO MOLEX ELECTRONIC TECHNOLOGIES, LLC AND SHOULD NOT BE USED WITHOUT WRITTEN PERMISSION DIMENSION UNITS: <b>mm</b> SCALE: <b>1:1</b>	CURRENT REV DESC: SEE REVISION TABLE  EC NO: 707262 DRWN: ABHILT2    2022/04/07 CHK'D: TKUMARKC    2022/05/25 APPR: SCHIEN    2022/05/27		
	<b>GENERAL TOLERANCES (UNLESS SPECIFIED)</b> ANGULAR TOL ± 1.0° 4 PLACES ± 3 PLACES ± 2 PLACES ± 0.13 1 PLACE ± 0.25 0 PLACES ±	INITIAL REVISION: DRWN: ABHILT2    2022/04/07 APPR: SCHIEN    2022/05/27	PRODUCT CUSTOMER DRAWING DOCUMENT NUMBER: <b>1111128101</b> DOC TYPE: PSD    DOC PART: ASY    REVISION: A	SFP+ 1X1 CAGE ASSY PRESS FIT TYPE, W/ SUS EMI SPRING FINGERS & HEAT SINK
<b>DIVISIONAL SYMBOLS</b> DRAFT WHERE APPLICABLE MUST REMAIN WITHIN DIMENSIONS	THIRD ANGLE PROJECTION 	DRAWING: <b>D-SIZE</b> SERIES: <b>111112</b>	MATERIAL NUMBER: <b>SEE SHEET 2</b> CUSTOMER:	SHEET NUMBER: <b>5 OF 5</b>

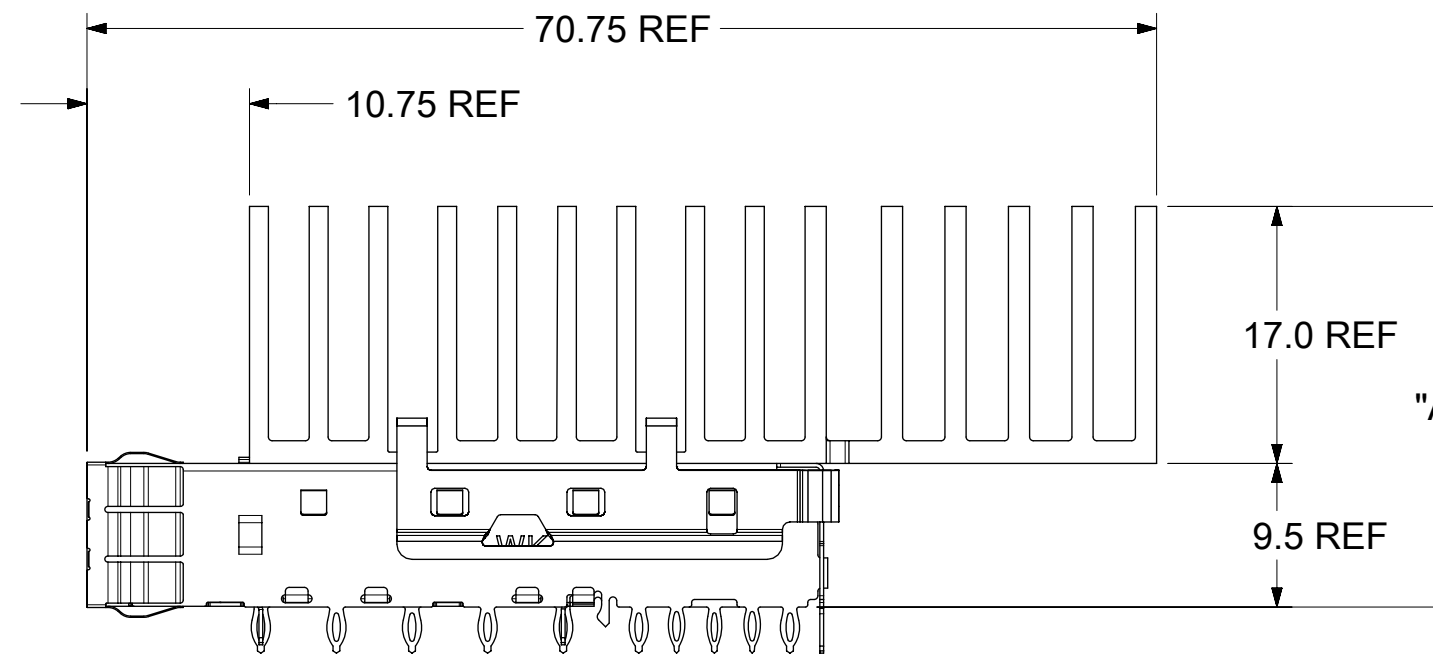
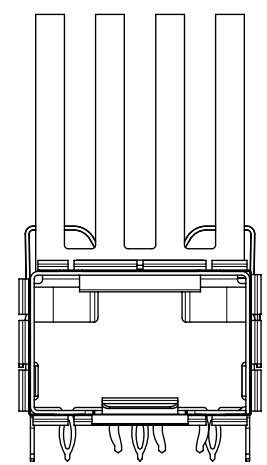
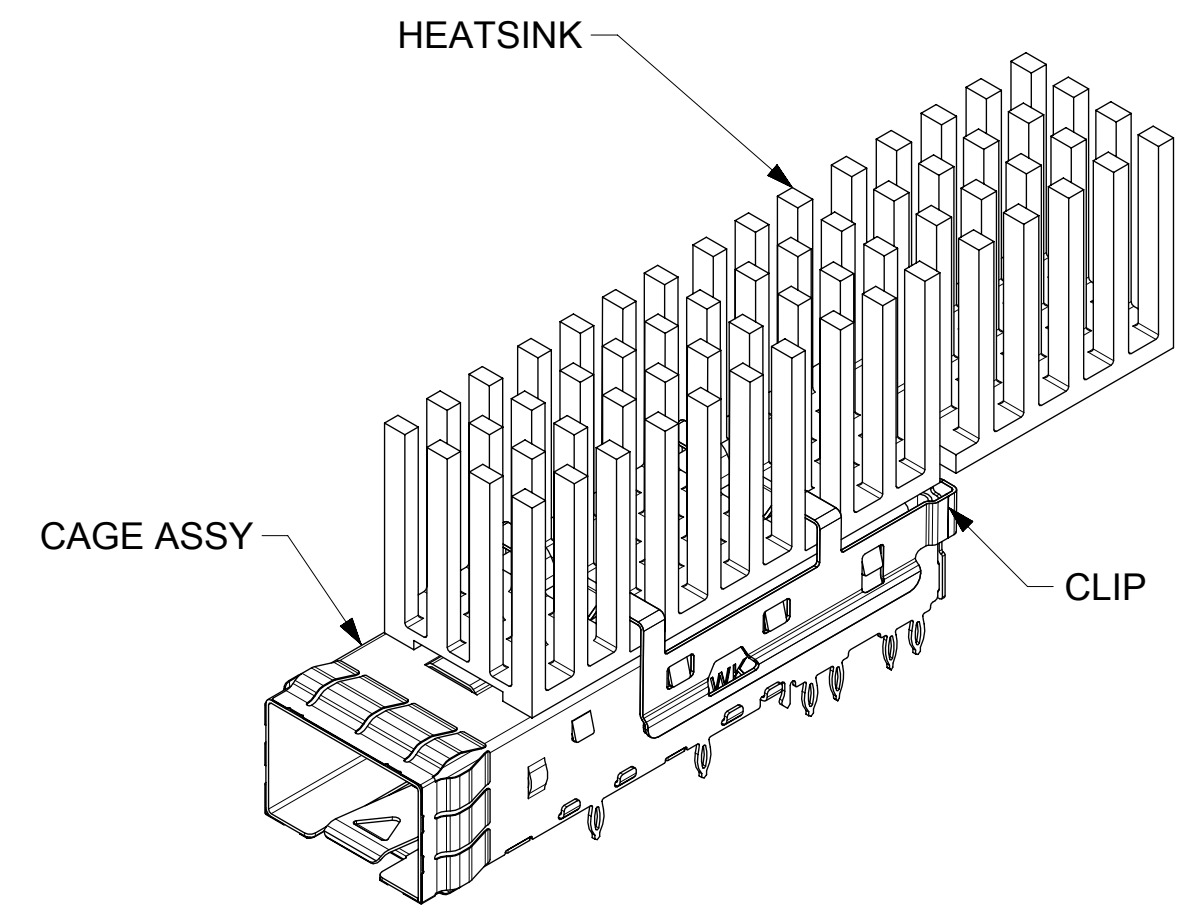
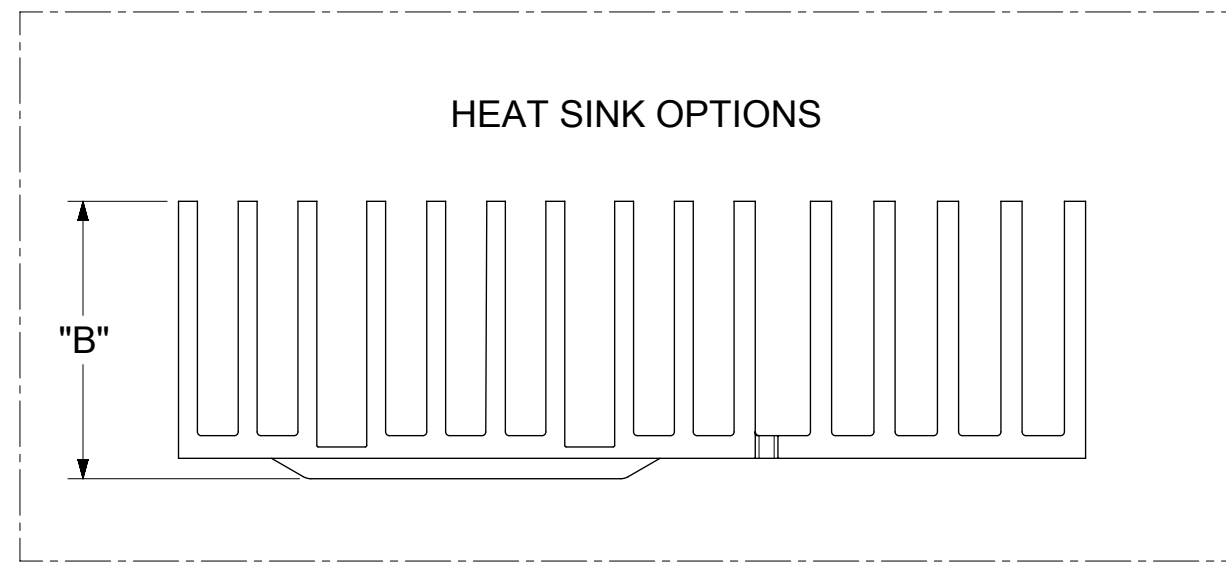
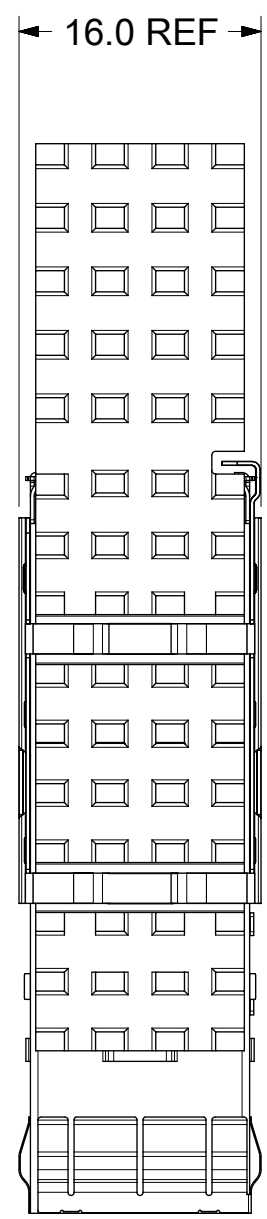
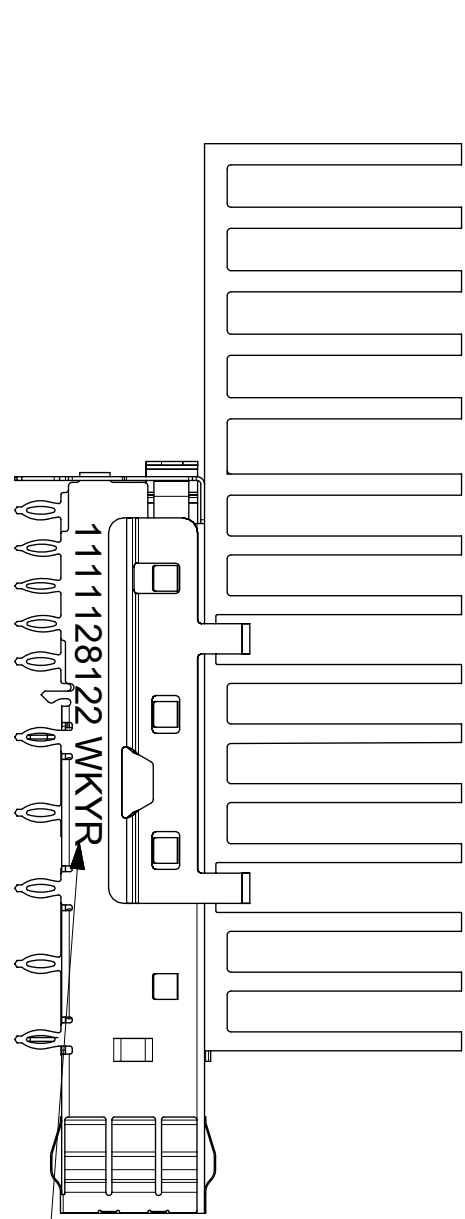
# CAGE ASSEMBLY

HEATSINK/CLIP NOT SHOWN FOR CLARITY



- NOTES:**
- MATERIAL:**  
 CAGE: 0.25mm THICK COPPER ALLOY, NICKEL PLATED.  
 FRONT SPRING FINGERS: STAINLESS STEEL.  
 HEATSINK: ALUMINUM, NICKEL PLATED.  
 HEATSINK SPRING CLIP: STAINLESS STEEL.
  - PRESS FIT LEGS 3.05mm LONG:**  
 1.57mm MINIMUM PCB THICKNESS FOR SINGLE SIDED USE.
  - PORTS ARE DESIGNED FOR SFP+ TRANSCEIVERS AND ARE COMPATIBLE WITH SFP TRANSCEIVERS.**  
 THE TOP SURFACE OF THE MODULE MUST BE FLAT (NO PRODUCT LABEL RECESS) AND THERMALLY CONDUCTIVE TO FUNCTION OPTIMALLY.
  - WELD SPOTS WILL SHOW SLIGHT MATERIAL DISCOLORATION.**
  - NO RoHS EXEMPTIONS.**
  - CUSTOM HEATSINKS AVAILABLE UPON REQUEST.**
  - CAGE ASSEMBLY, HEATSINK, AND HEATSINK SPRING CLIP SHIPPED ASSEMBLED.**
  - THE MOLEX CAGE REQUIRES USING THE MOLEX HEATSINK SPRING CLIP.**

THIS DRAWING CONTAINS INFORMATION THAT IS PROPRIETARY TO MOLEX ELECTRONIC TECHNOLOGIES, LLC AND SHOULD NOT BE USED WITHOUT WRITTEN PERMISSION									
FUNCTIONAL SYMBOLS	DIMENSION UNITS	SCALE	CURRENT REV DESC: SEE REVISION TABLE						
$\nabla_A = 0$	mm	3:1	<b>molex</b> SFP+ 1X1 CAGE ASSY PRESS FIT TYPE, W/ SUS SPRING FINGR, CUTOUT 3.4 & HEATSINKS PRODUCT CUSTOMER DRAWING						
$\nabla_E = 0$	GENERAL TOLERANCES (UNLESS SPECIFIED)								
$\nabla_P = 0$	ANGULAR TOL $\pm 1.0^\circ$								
DIVISIONAL SYMBOLS	4 PLACES $\pm$	3 PLACES $\pm$	2 PLACES $\pm 0.13$	1 PLACE $\pm 0.25$	0 PLACES $\pm$	EC NO: 707262	DRWN: SKRISHNAMURT	2022/04/11	2022/05/25
	DRAFT WHERE APPLICABLE MUST REMAIN WITHIN DIMENSIONS		THIRD ANGLE PROJECTION	DRAWING	SERIES	INITIAL REVISION:	DRWN: SKRISHNAMURT	2022/04/11	2022/05/27
				C-SIZE	111112	APPR: SCHIEN	APPR: SCHIEN	2022/05/27	
DOCUMENT STATUS	P1	RELEASE DATE	2022/05/27	10:20:27		DOCUMENT NUMBER	111128122	DOC TYPE	PSD
						CUSTOMER	111128122	DOC PART	ASY
						SHEET NUMBER	1 OF 5	REVISION	A



"A" MAX TYP. (AFTER MATING WITH TRANSCEIVERS)

F/G PART NUMBER	DIM "A"	DIM "B"
111128122	28.1	18.35

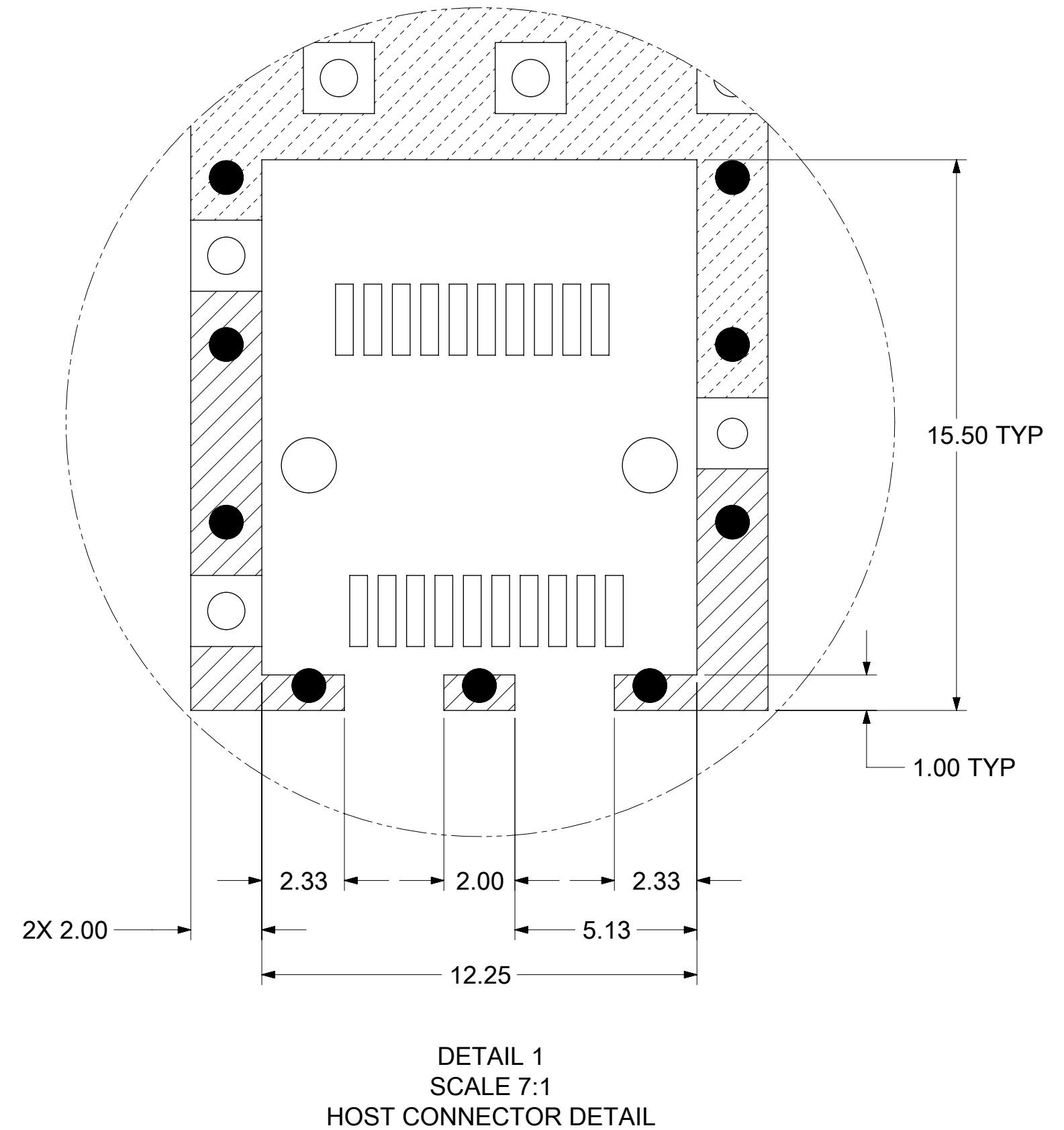
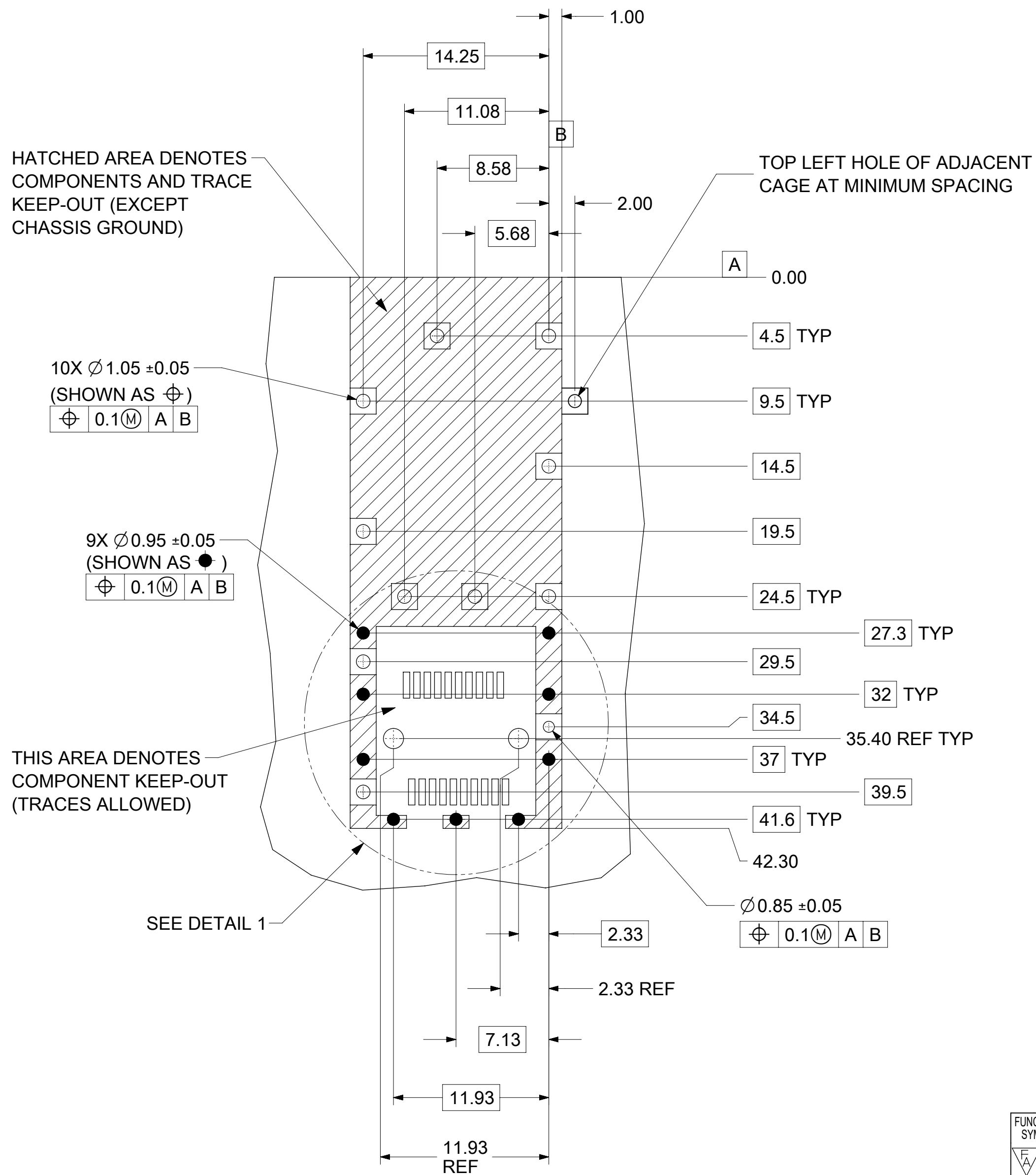
PART NO. AND WEEK/YEAR DATE CODE TO BE PRINTED ON THE SIDE OF COMPLETED CAGE ASSEMBLY APPROXIMATELY AS SHOWN

WEEK/YEAR DATE CODE TABLE	
WK	WEEK 01 THRU 52 OR 53 EXAMPLE: 01 = FIRST WEEK OF YEAR 52 = LAST WEEK OF YEAR
YR	22, 23, 24 ETC. EXAMPLE: YEAR 2022 = 22

FUNCTIONAL SYMBOLS $\nabla_A = 0$ $\nabla_C = 0$ $\nabla_P = 0$	THIS DRAWING CONTAINS INFORMATION THAT IS PROPRIETARY TO MOLEX ELECTRONIC TECHNOLOGIES, LLC AND SHOULD NOT BE USED WITHOUT WRITTEN PERMISSION DIMENSION UNITS: <b>mm</b> SCALE: <b>2:1</b>	CURRENT REV DESC: SEE REVISION TABLE EC NO: 707262 DRWN: SKRISHNAMURT 2022/04/11 CHK'D: TKUMARKC 2022/05/25 APPR: SCHIEN 2022/05/27				
	GENERAL TOLERANCES (UNLESS SPECIFIED) ANGULAR TOL $\pm 1.0^\circ$ 4 PLACES $\pm$ 3 PLACES $\pm$ 2 PLACES $\pm 0.13$ 1 PLACE $\pm 0.25$ 0 PLACES $\pm$	INITIAL REVISION: DRWN: SKRISHNAMURT 2022/04/11 APPR: SCHIEN 2022/05/27				SFP+ 1X1 CAGE ASSY PRESS FIT TYPE, W/ SUS SPRING FINGR, CUTOUT 3.4 & HEATSINKS PRODUCT CUSTOMER DRAWING
	DIVISIONAL SYMBOLS DRAFT WHERE APPLICABLE MUST REMAIN WITHIN DIMENSIONS	THIRD ANGLE PROJECTION 	DRAWING: <b>C-SIZE</b> SERIES: <b>111112</b>	DOCUMENT NUMBER: <b>111128122</b> MATERIAL NUMBER: <b>111128122</b>	DOC TYPE: <b>PSD</b> DOC PART: <b>ASY</b>	REVISION: <b>A</b> SHEET NUMBER: <b>2 OF 5</b>

DOCUMENT STATUS	P1	RELEASE DATE	2022/05/27	10:20:27
-----------------	----	--------------	------------	----------

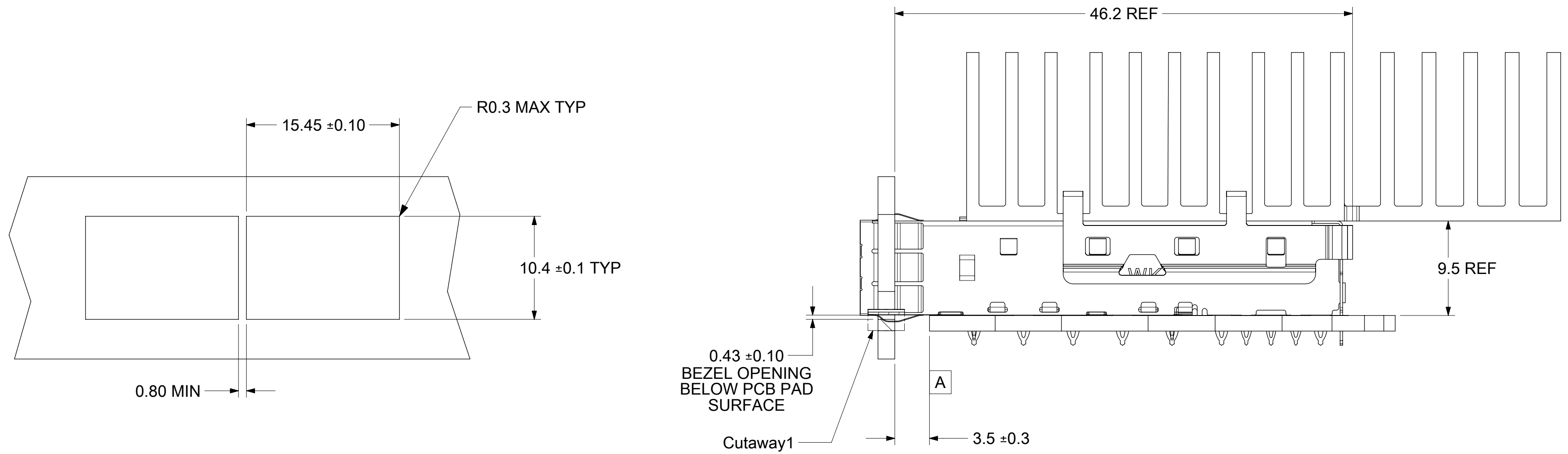
# PCB LAYOUT FOR SINGLE SIDE MOUNT



- NOTES:
1. PADS AND VIAS CONNECT TO CHASSIS GROUND (RECOMMEND PADS TO BE 2.00mm SQUARE)
  2. RECOMMENDED THRU HOLE PLATING INCLUDES HASL, OSP, OR IMMERSION (GOLD, SILVER, OR TIN).
  3. CONNECTOR PAD LAYOUT PER SFP+ MSA WILL ACCOMMODATE MOLEX CONNECTOR SERIES 74441 OR EQUIVALENT.

FUNCTIONAL SYMBOLS	THIS DRAWING CONTAINS INFORMATION THAT IS PROPRIETARY TO MOLEX ELECTRONIC TECHNOLOGIES, LLC AND SHOULD NOT BE USED WITHOUT WRITTEN PERMISSION		CURRENT REV DESC: SEE REVISION TABLE	
	DIMENSION UNITS	SCALE		
$\frac{F}{A} = 0$	mm	3:1		
$\frac{F}{C} = 0$	GENERAL TOLERANCES (UNLESS SPECIFIED)			
	ANGULAR TOL $\pm 1.0^\circ$			
DIVISIONAL SYMBOLS	4 PLACES	$\pm$	EC NO: 707262	2022/04/11
	3 PLACES	$\pm$	DRWN: SKRISHNAMURT	2022/05/25
	2 PLACES	$\pm 0.13$	CHK'D: TKUMARKC	2022/05/27
	1 PLACE	$\pm 0.25$	APPR: SCHIEN	
0 PLACES	$\pm$	INITIAL REVISION:		
DRAFT WHERE APPLICABLE MUST REMAIN WITHIN DIMENSIONS		THIRD ANGLE PROJECTION	DRAWING	SERIES
			C-SIZE	111112
		MATERIAL NUMBER		CUSTOMER
		111128122		
		DOCUMENT NUMBER		DOC TYPE   DOC PART   REVISION
		111128122		PSD   ASY   A
		SHEET NUMBER		
		3 OF 5		

# BEZEL AND BOARD POSITION DIMENSIONS FOR SINGLE SIDE MOUNTING (SPRING FINGER)



FUNCTIONAL SYMBOLS	THIS DRAWING CONTAINS INFORMATION THAT IS PROPRIETARY TO MOLEX ELECTRONIC TECHNOLOGIES, LLC AND SHOULD NOT BE USED WITHOUT WRITTEN PERMISSION										
	DIMENSION UNITS	SCALE	CURRENT REV DESC: SEE REVISION TABLE							<b>molex</b>	
$\frac{F}{A} = 0$	mm	3:1	EC NO: 707262 DRWN: SKRISHNAMURT 2022/04/11 CHK'D: TKUMARKC 2022/05/25 APPR: SCHIEN 2022/05/27								
$\frac{F}{C} = 0$	GENERAL TOLERANCES (UNLESS SPECIFIED)									INITIAL REVISION: DRWN: SKRISHNAMURT 2022/04/11 APPR: SCHIEN 2022/05/27	
$\frac{F}{P} = 0$	ANGULAR TOL ± 1.0°		DIVISIONAL SYMBOLS		DOCUMENT NUMBER		DOC TYPE	DOC PART	REVISION		
4 PLACES ±	3 PLACES ±	2 PLACES ± 0.13	1 PLACE ± 0.25	0 PLACES ±	111128122		PSD	ASY	A		
DRAFT WHERE APPLICABLE MUST REMAIN WITHIN DIMENSIONS			THIRD ANGLE PROJECTION	DRAWING	SERIES	MATERIAL NUMBER	CUSTOMER		SHEET NUMBER		
				C-SIZE	111112	111128122			4 OF 5		

DOCUMENT STATUS	P1	RELEASE DATE	2022/05/27	10:20:27
-----------------	----	--------------	------------	----------

12 11 10 9 8 7 6 5 4 3 2 1

H  
G  
F  
E  
D  
C  
B  
A

REV	DATE	DESCRIPTION
A	2022/05/25	INITIAL RELEASE

FUNCTIONAL SYMBOLS	THIS DRAWING CONTAINS INFORMATION THAT IS PROPRIETARY TO MOLEX ELECTRONIC TECHNOLOGIES, LLC AND SHOULD NOT BE USED WITHOUT WRITTEN PERMISSION							
	DIMENSION UNITS	SCALE	CURRENT REV DESC: SEE REVISION TABLE					
$\frac{F}{A} = 0$	mm	1:1	<p><b>molex</b></p> <p>SFP+ 1X1 CAGE ASSY PRESS FIT TYPE, W/ SUS SPRING FINGR, CUTOUT 3.4 &amp; HEATSINKS</p> <p>PRODUCT CUSTOMER DRAWING</p>					
$\frac{F}{C} = 0$	GENERAL TOLERANCES (UNLESS SPECIFIED)							
$\frac{F}{P} = 0$	ANGULAR TOL ± 1.0°							
DIVISIONAL SYMBOLS	4 PLACES ±	3 PLACES ±	EC NO: 707262		2022/04/11			
	2 PLACES ± 0.13	1 PLACE ± 0.25	DRWN: SKRISHNAMURT		2022/05/25			
	0 PLACES ±		CHK'D: TKUMARKC		2022/05/27			
			APPR: SCHIEN		2022/05/27			
			INITIAL REVISION:					
			DRWN: SKRISHNAMURT		2022/04/11			
			APPR: SCHIEN		2022/05/27			
DRAFT WHERE APPLICABLE MUST REMAIN WITHIN DIMENSIONS			THIRD ANGLE PROJECTION	DRAWING	SERIES	MATERIAL NUMBER	CUSTOMER	SHEET NUMBER
				C-SIZE	111112	1111128122		5 OF 5

DOCUMENT STATUS	P1	RELEASE DATE	2022/05/27 10:20:27
-----------------	----	--------------	---------------------

12 11 10 9 8 7 6 5 4 3 2 1