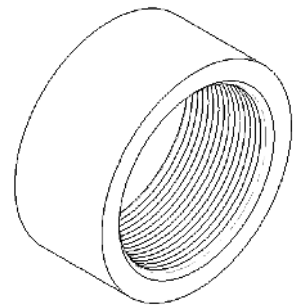


- NOTES:
1. MOUNTING: Mounts in a $\phi .281 \pm .002$ [$\phi 7.13\text{mm} \pm .05$] panel hole on .375 [9.5mm] centers. Panel thickness .031 [0.8mm] to .125 [3.18mm]. Panel hole should be deburred, but not chamfered.
 2. ASSEMBLY: Insert mount through panel hole, slide retainer on back of lens. PCB mounted LEDs slide into lens when the panel cover is closed or the PCB card is inserted into the case.
 3. U.S. & Foreign Pat. Issued & Pend.

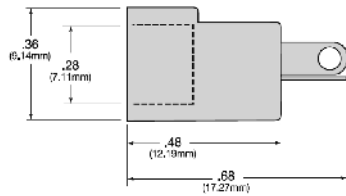
REVISIONS				
EC N#	REV.	DESCRIPTION	DATE	INITIALS
	1	DELETE .270 DIM.	7-1-00	JS
	2	.200 WAS .205, .310 WAS .300	7-24-01	JS
	3	.240 WAS .232	7-31-01	JS
	001	REVISED PER EC R111009AZ01	6-20-10	SMU

RETAINER
(ORDER SEPARATELY)

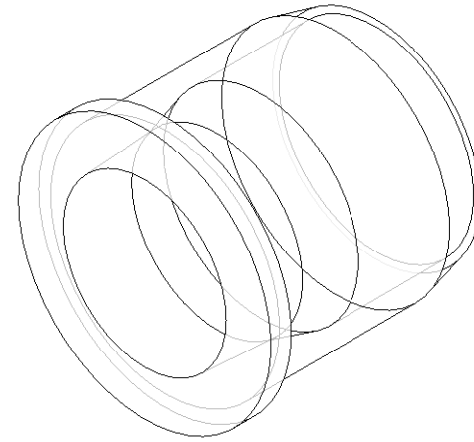


RNG 268

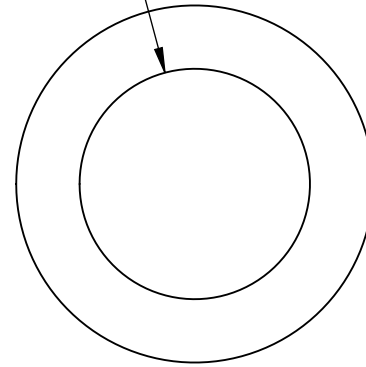
INTERCONNECT
(ORDER SEPARATELY)



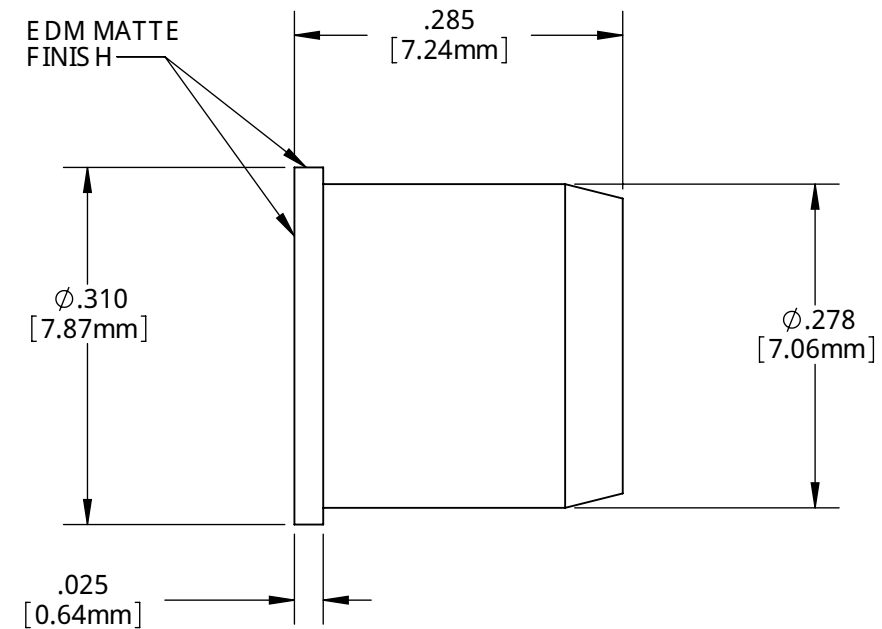
CNX 310



$\phi .202$
[5.13mm]

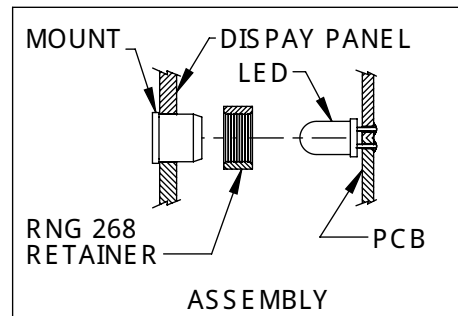


EDM MATTE
FINISH



ORDERING CODE: CMC 285 XXX

CLIP MOUNT COLOR	
BLK	BLACK
CTP	CLEAR TRANSPARENT



UNLESS OTHERWISE SPECIFIED: DIMENSIONS ARE IN INCHES:		MATERIAL POLYCARBONATE, UL 94-V2, BLACK		VISUAL COMMUNICATIONS COMPANY, INC. 190 Bosstick Boulevard, Suite 101 San Marcos, CA 92069 USA Phone (760) 560-1300 Fax (760) 560-1301 email vccsales@vcc-lite.com	
ANGLES $\pm 1^\circ$	DECIMALS .X $\pm .020$.XX $\pm .010$.XXX $\pm .005$	FINISH B		TITLE: CLIPLITE® CMC 285 MOUNT	
THIRD ANGLE PROJECTION		APPROVAL		DATE	
DRAWN: SMU		CHECKED: DZ		6-20-10	
DO NOT SCALE DRAWING		SIZE	DWG. NO.	REV	
		B	CMC 285 XXX	001	
SCALE: 1:1			SHEET 1 OF 1		