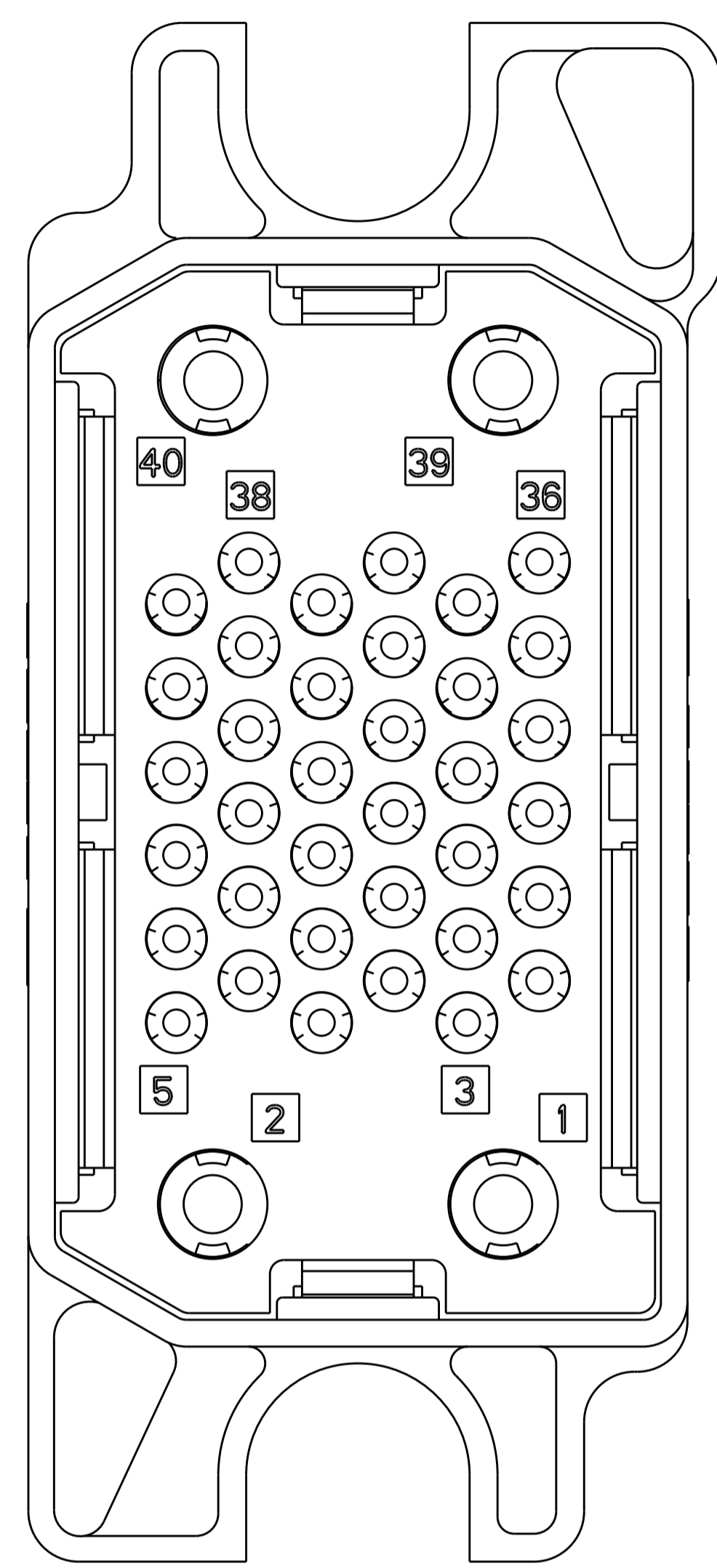
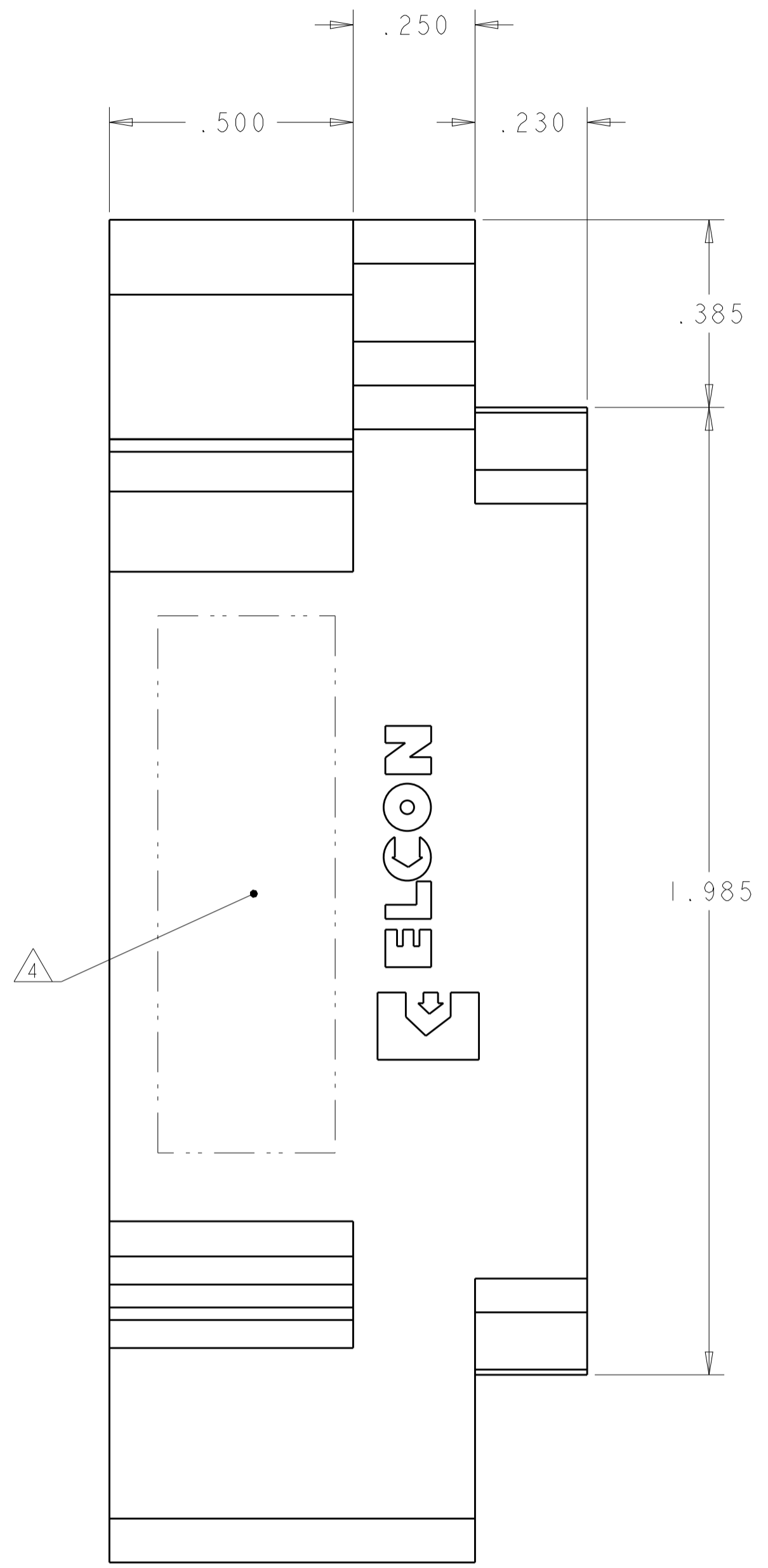
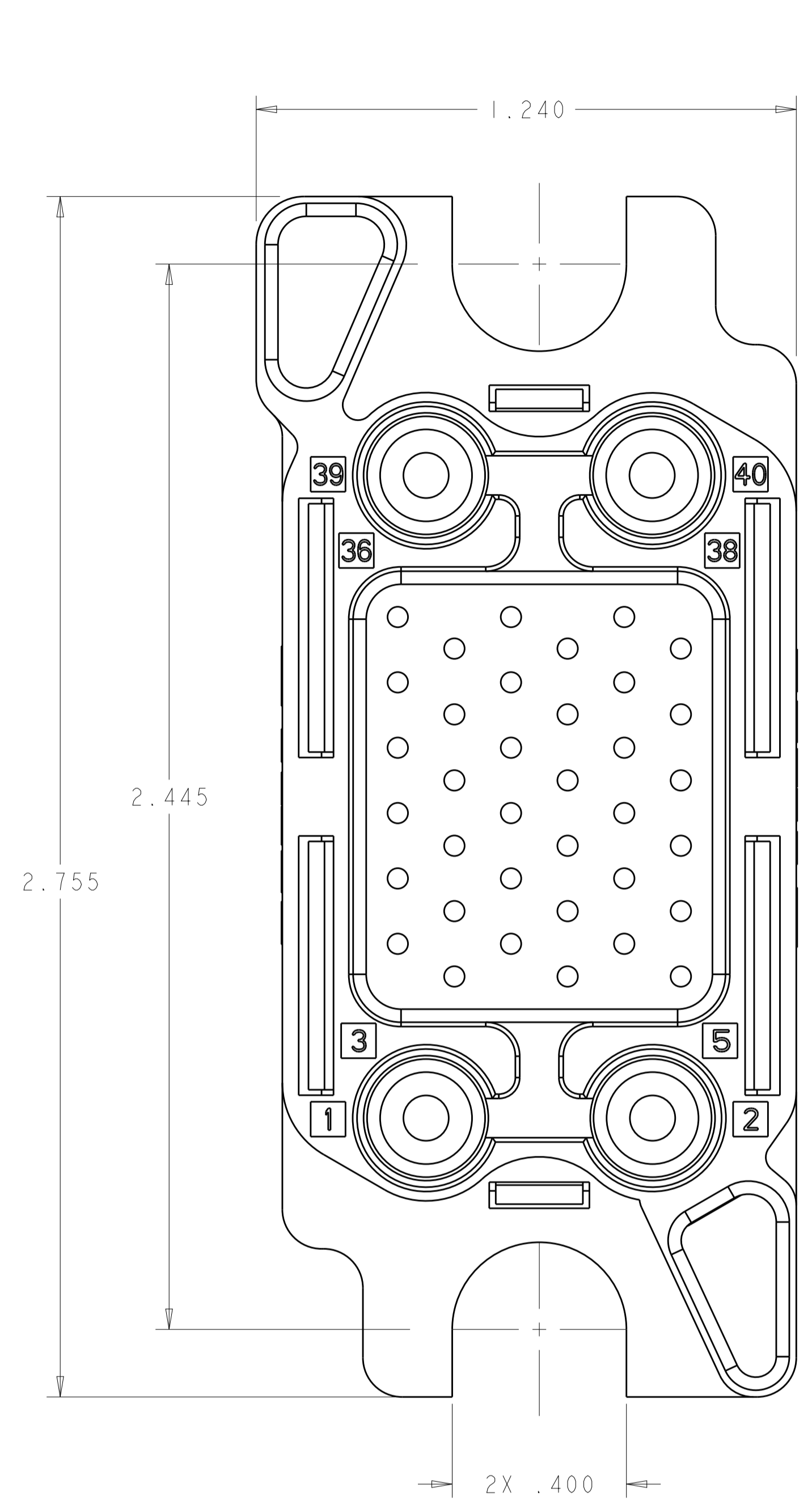


LOC		DIST		REVISIONS			
		P	LTH	DESCRIPTION	DATE	DWN	APVD
		A		RELEASED	09JUL2013	BC	DO



- PIN CONTACT SIZE No. 12 (C)
- PIN CONTACT SIZE No. 20 (B)
- PIN CONTACT SIZE No. 12 (C)

1. PART NUMBER CHANGES AND OR DESIGN CHANGES AFFECTING THE INTERCHANGEABILITY REQUIRE PRIOR TYCO ELECTRONICS APPROVAL AND AUTHORIZATION BY REVISION TO THIS DRAWING.
2. MATERIAL:
 INSULATOR: THERMOPLASTIC, GLASS REINFORCED, FLAMMABILITY RATED, COLOR: BLACK
 PIN CONTACT: COPPER ALLOY
 RETENTION CLIP: BERYLLIUM COPPER OR STAINLESS STEEL
 SHOULDER SCREW: STAINLESS STEEL
3. FINISH:
 PIN CONTACT SIZE 20: GOLD PLATE .000010 MIN THK. OVER NICKEL .000050 MIN THK.
 PIN CONTACT SIZE 12: SILVER PLATE .000200 MIN THK. OVER NICKEL .000050 MIN THK.

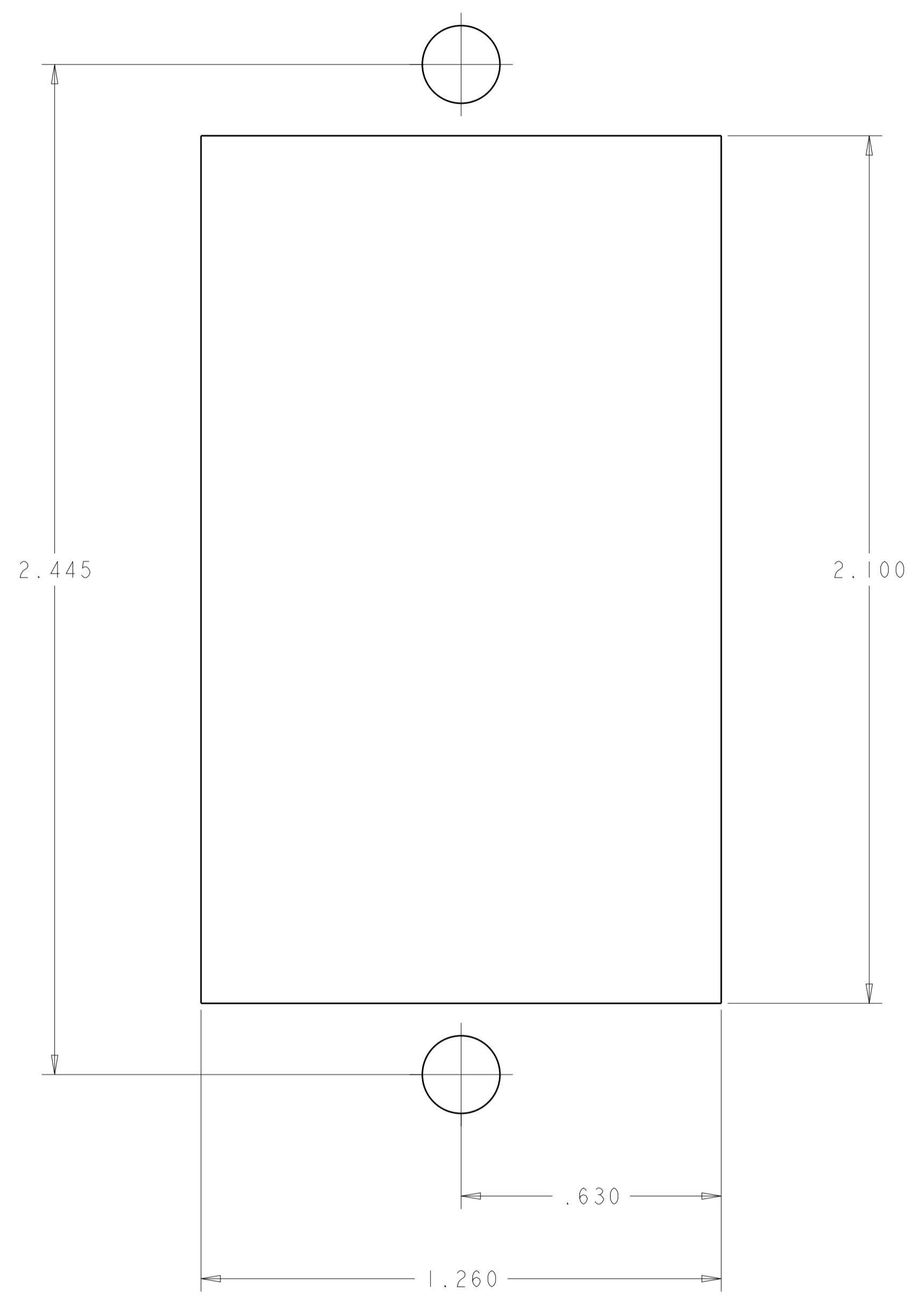
△ ITEMS PROVIDED TO THIS SPECIFICATION TO BE PERMANENTLY IDENTIFIED PER THE FOLLOWING IDENTIFIER:

TYCO ELECTRONICS P/N: XXXXXXX-X
 YEAR WEEK: YEAR 1 WEEK 1
 DATE CODE (e.g. 0216): XXXX

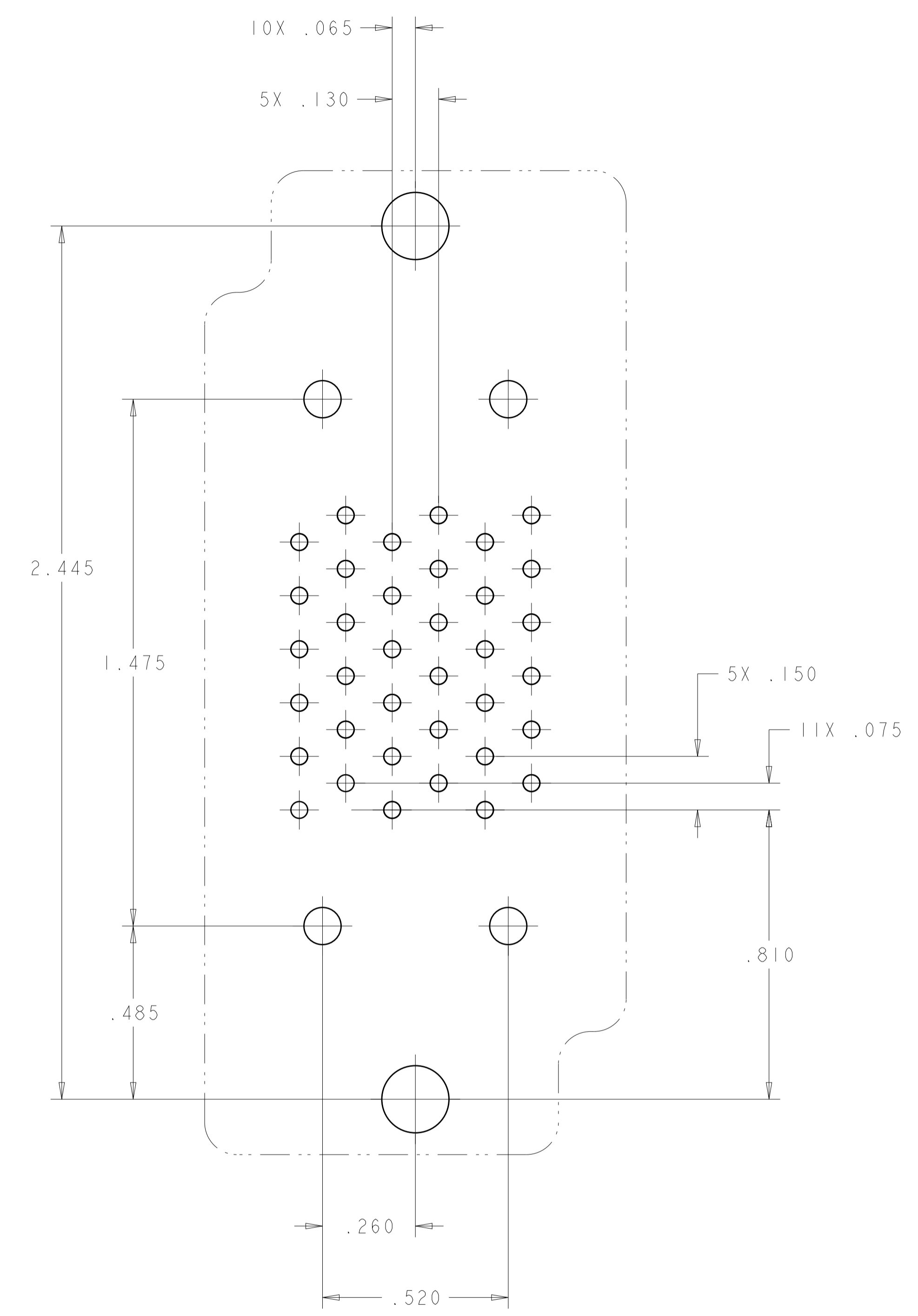
ITEM	PART NUMBER	DESCRIPTION	ITEM
4	1766245-1	CONTACT, PIN, #12, PCB TAIL	C
36	1650283-1	CONTACT, PIN, #20, PCB TAIL	B
1	1648132-2	CONNECTOR, PIN, UNMARKED/NO LABEL	A

THIS DRAWING IS A CONTROLLED DOCUMENT.		DWN: D. ORRIS 18OCT2012	TE Connectivity
DIMENSIONS: INCHES		CHK: D. ORRIS 18OCT2012	
TOLERANCES UNLESS OTHERWISE SPECIFIED:		APVD: D. ORRIS 18OCT2012	NAME: PIN CONNECTOR PCB TAIL SQUARE DRAWER SIZE: CAGE CODE DRAWING NO. RESTRICTED TO: A100779C=2212081
0 PLC ±. 1 PLC ±. 2 PLC ±.02 3 PLC ±.010 4 PLC ±. ANGLES ±.		PRODUCT SPEC	
MATERIAL:		APPLICATION SPEC	WEIGHT:
FINISH:		CUSTOMER DRAWING	SCALE: 3:1 SHEET 1 OF 2 REV A

LOC		DIST		REVISIONS			
P	LTN	DESCRIPTION	DATE	DMN	APVD		
-	-	SEE SHEET 1	-	-	-		




SUGGESTED PANEL CUTOUT
 VIEWED FROM CONNECTOR MOUNTING SIDE



SUGGESTED PCB CUTOUT
 VIEWED FROM CONNECTOR MOUNTING SIDE

ELCON SQUARE DRAWER

THIS DRAWING IS A CONTROLLED DOCUMENT.		DMN D. ORRIS 18OCT2012	 TE Connectivity
DIMENSIONS: INCHES		CHK D. ORRIS 18OCT2012	
TOLERANCES UNLESS OTHERWISE SPECIFIED:		APVD D. ORRIS 18OCT2012	NAME PIN CONNECTOR PCB TAIL SQUARE DRAWER
0 PLC ±	1 PLC ±.02	PRODUCT SPEC	SIZE A100779C=2212081
2 PLC ±.02	3 PLC ±.010	APPLICATION SPEC	RESTRICTED TO
4 PLC ±	ANGLES ±	WEIGHT	SCALE 3:1 SHEET 2 OF 2 REV A
MATERIAL	FINISH	CUSTOMER DRAWING	