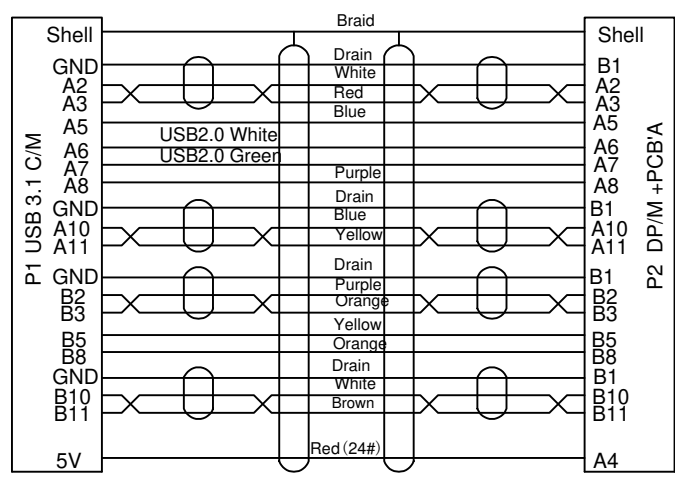
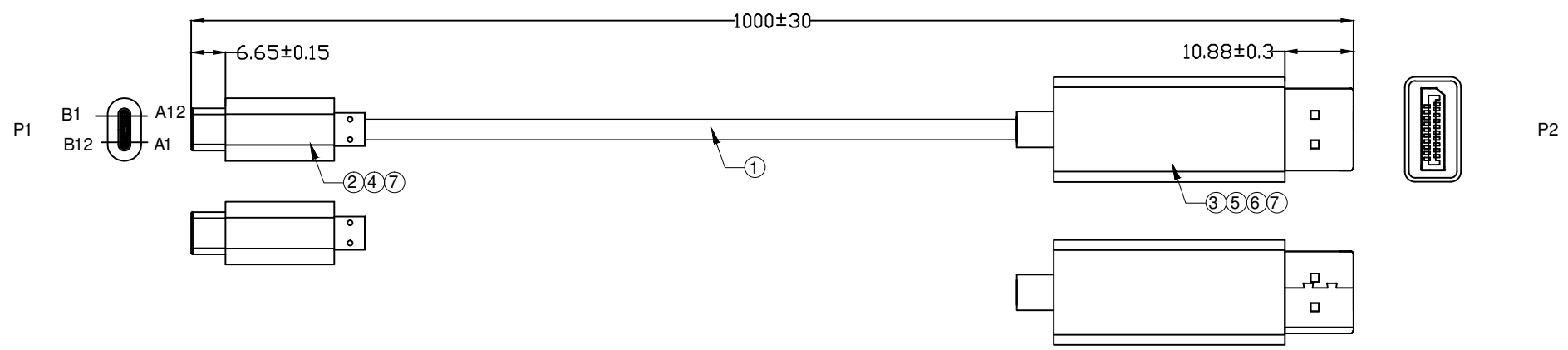


1 2 3 4 5 6 7

A
B
C
D
E
F
G
H

A
B
C
D
E
F
G
H



NOTE:
1.Solution: up to 3840x2160@60Hz
2.Deliver audio and video

①	Over mold	PVC 45P black	NA	G
②	Inner mold	LD-PE	NA	G
③	Shell	DP male shell, black ABS	1	PCS
④	Shell	Type-C male shell, black ABS	1	PCS
⑤	CONN	DP male,in gold flash,shell gold flash,without hook, with PCB	1	PCS
⑥	CONN	Type-C male,pin gold flash,shell gold flash	1	PCS
⑦	CABLE ②	UL20276 USB3.1 (32#*1P+D+AL+HM)*4C+32#*4C+32#*1P+24#*1C+AB, OD:4.7mm,BK PVC jacket No marking	1	PCS
NO.	NAME	DESCRIPTION	Q'TY	UNIT

RoHS compliant
Unit: mm

Scale	Free	Date	Name	Customer-No.
TOLERANCE		Drawn	13.12.2022	Daniel
		Approved	12.06.2023	Luca
		ASSMANN WSW-No. A-USB31C-02M-100		
DIM	TOL	Drawing-No. ASS 10360 CA rev02		
Angle	TOL	Replace Sheet 1/1		



1 2 3 4 5 6 7