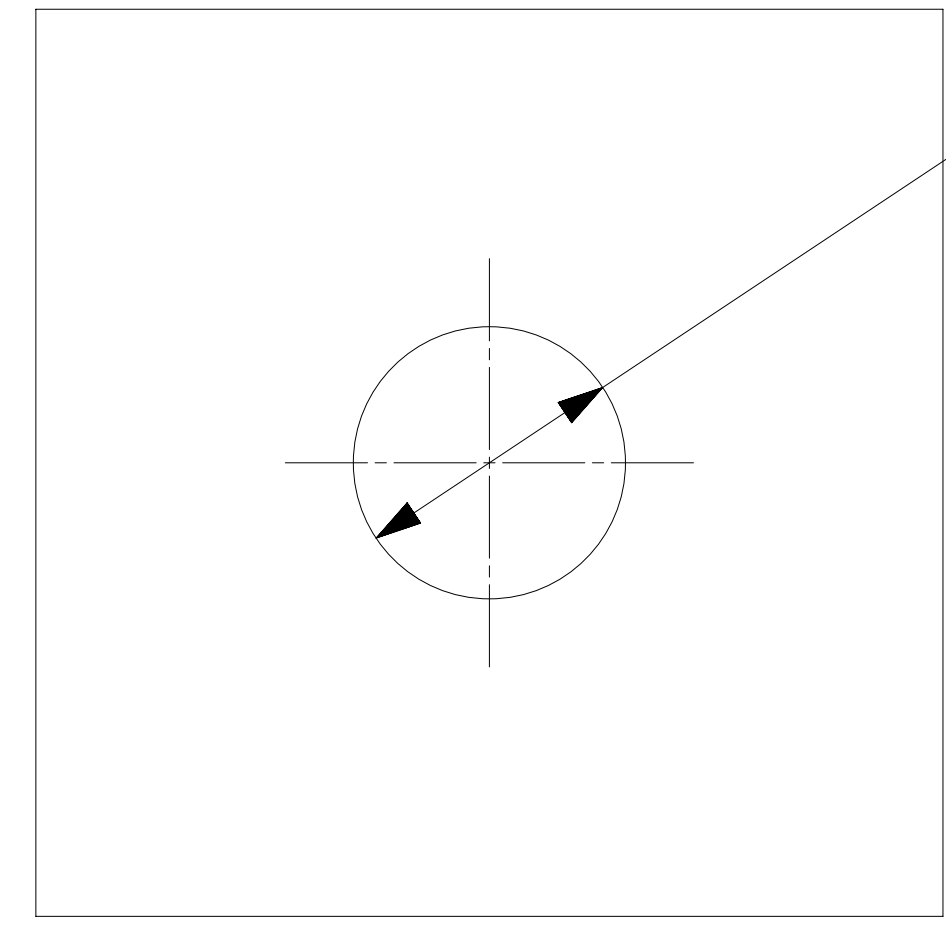
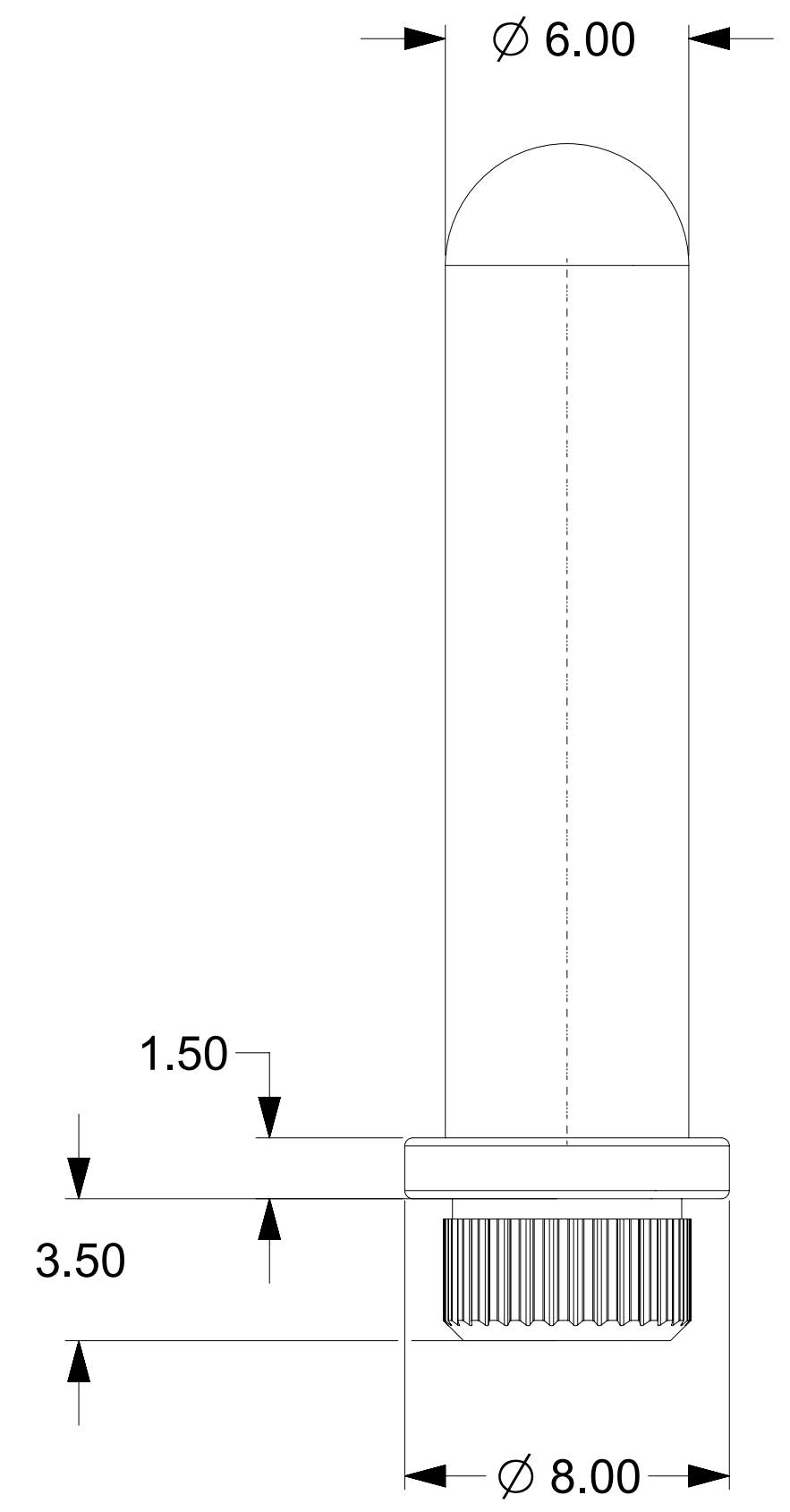
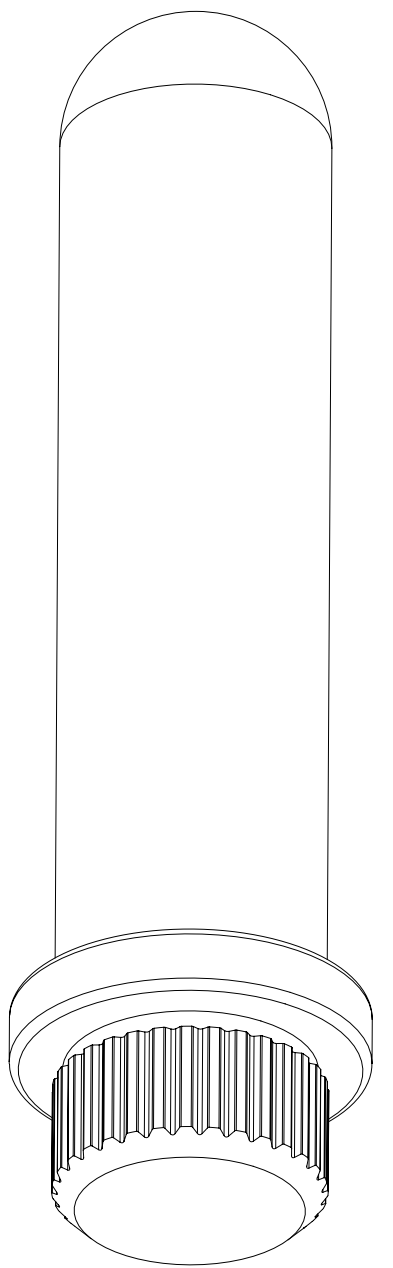
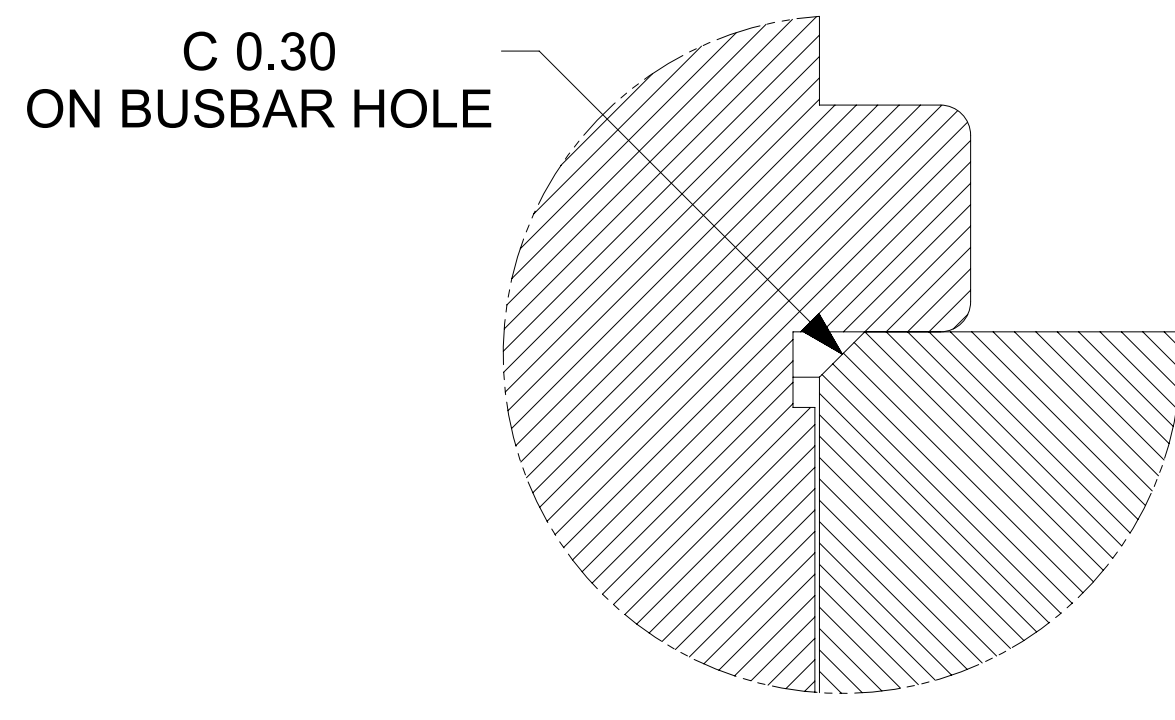


PART NUMBER	DIMENSION "L"
203263-0006	26.00
203263-0016	20.00
203263-0026	14.00
203263-0036	36.00
203263-0046	17.95
203263-0056	16.00
203263-0066	48.00



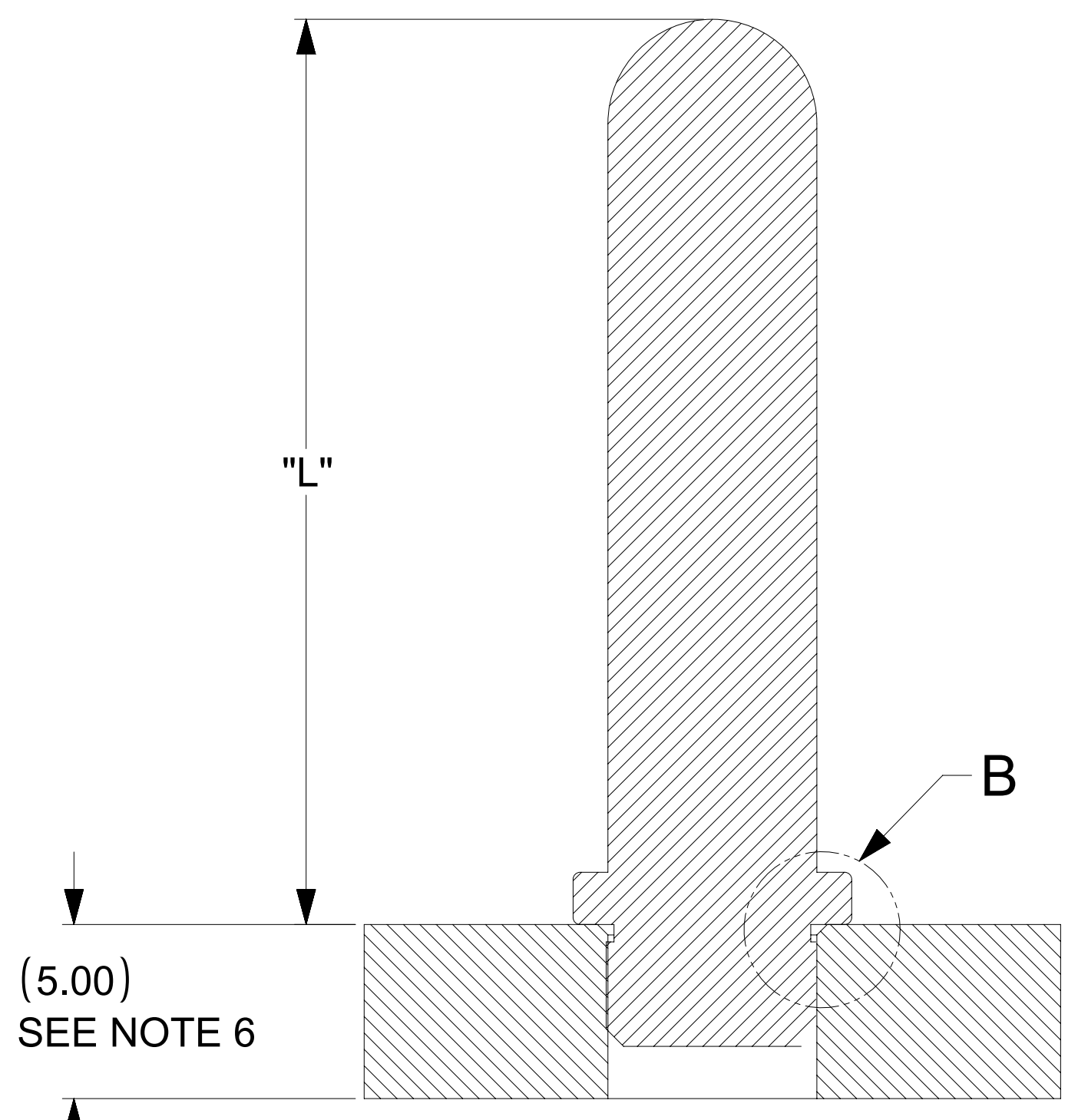
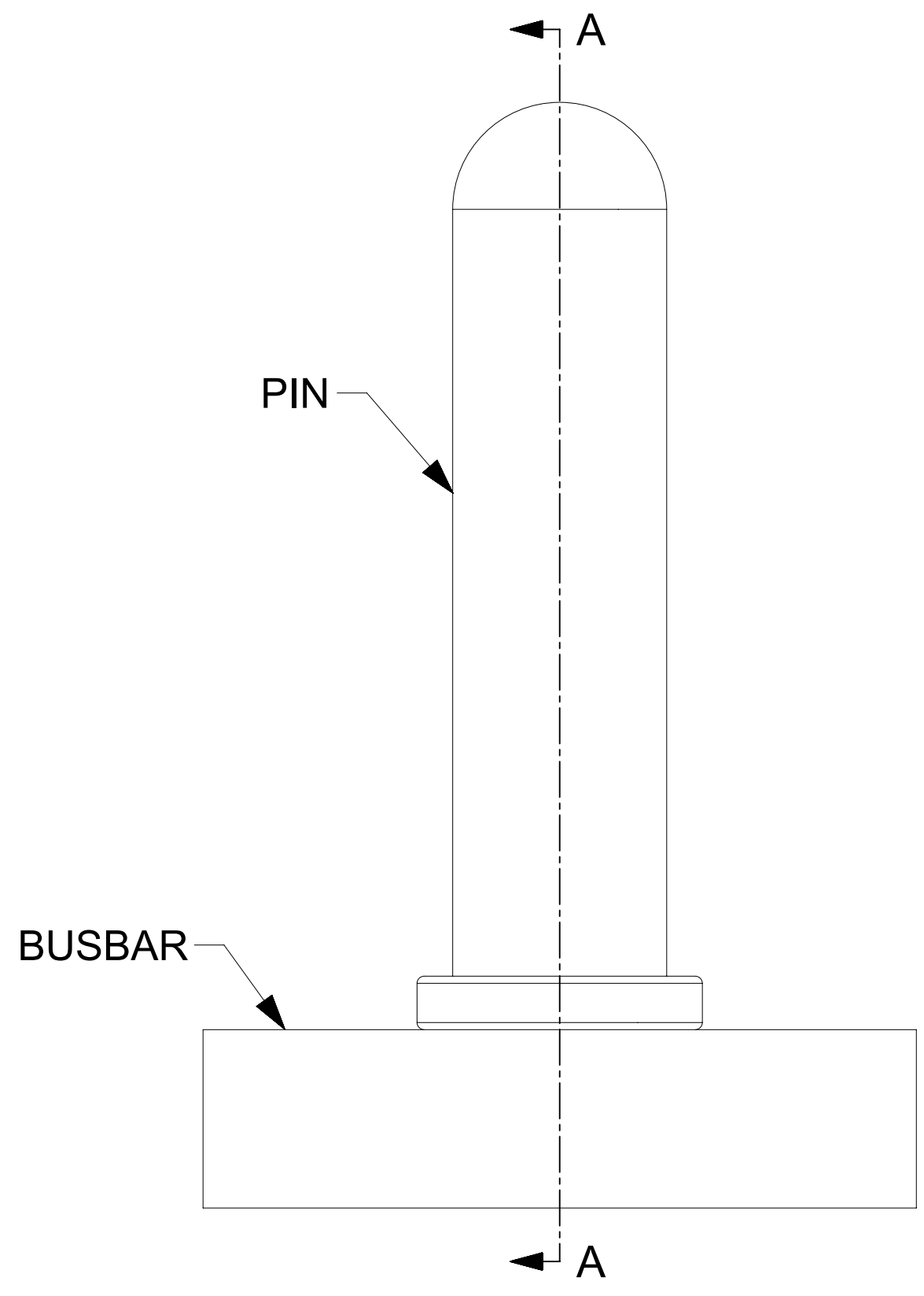
HOLE REQUEST ON BUS BAR



DETAIL B
SCALE 20:1

NOTES :

- MATERIAL:
 - BASE METAL: HIGH CONDUCTIVE COPPER ALLOY
 - PLATING ON BODY: 3.18 MICRON MIN SILVER OVER 1.27 MICRON MIN NICKEL
- PRODUCT SPECIFICATION: 2043130006-PS
- APPLICATION SPECIFICATION: 2043130006-AS
- PACKAGING SPECIFICATION: 2032630006-PK
- SILVER COMPONENTS WILL BE SUPPLIED TARNISH FREE BUT MAY TARNISH OVER TIME.
- MINIMUM RECOMMENDED BUSBAR THICKNESS IS 1.5MM



SECTION A-A

THIS DRAWING CONTAINS INFORMATION THAT IS PROPRIETARY TO MOLEX ELECTRONIC TECHNOLOGIES, LLC AND SHOULD NOT BE USED WITHOUT WRITTEN PERMISSION												
DIMENSION UNITS		SCALE		CURRENT REV DESC: UPDATED THE DESCRIPTION								
mm		10:1										
GENERAL TOLERANCES (UNLESS SPECIFIED)												
ANGULAR TOL ± 0.5°												
4 PLACES ±		EC NO: 726284										
3 PLACES ±		DRWN: SOURAJ 2022/10/26										
2 PLACES ± 0.15		CHK'D: SUVARS 2022/10/27										
1 PLACE ± 0.25		APPR: GSHARMA 2022/10/28		INITIAL REVISION:				DOCUMENT NUMBER		DOC TYPE	DOC PART	REVISION
0 PLACES ±		DRWN: FCSSO 2018/10/01		2019/06/10		2032630006-SD		PSD	000	C3		
DRAFT WHERE APPLICABLE MUST REMAIN WITHIN DIMENSIONS		THIRD ANGLE PROJECTION		DRAWING		SERIES		MATERIAL NUMBER		CUSTOMER		SHEET NUMBER
				D-SIZE		203263		SEE TABLE		GENERAL MARKET		1 OF 1