

Electronic housing - UEGM 40/2-FS/FS - 2792099

Please be informed that the data shown in this PDF Document is generated from our Online Catalog. Please find the complete data in the user's documentation. Our General Terms of Use for Downloads are valid (<http://phoenixcontact.com/download>)



Electronic housing, 40 mm wide, fully equipped with 12 slip-on connections per side for two printed circuit boards


The illustration shows version UEGM 40/1-FS/FS

Product Features

- ✓ Cost-effective series production, since the base element and the assembled PCB are soldered by machine
- ✓ Efficient assembly thanks to overlapping housing parts
- ✓ Can be snapped onto standard NS 35/7,5 and NS 35/15 DIN rails
- ✓ Complex electronic circuits can be integrated, with up to 24 connections on two levels



Key commercial data

Packing unit	1 pc
GTIN	 4 017918 072568
Weight per Piece (excluding packing)	78.09 GRM
Custom tariff number	85369010
Country of origin	Germany

Technical data

General

Housing type	Complete housing
Housing material	Polyamide (PA 6.6)
Color	green

Ambient conditions

Ambient temperature (operation)	-40 °C ... 105 °C
---------------------------------	-------------------

Dimensions

Electronic housing - UEGM 40/2-FS/FS - 2792099

Technical data

Dimensions

Length	101 mm
Constructional height	85.5 mm
Width	40 mm

Technical data

Inflammability class according to UL 94	V0
Power dissipation at 20°C in the horizontal mounting position	5.2 W 11.2 W
Number of positions	24

Connection data

Conductor cross section solid min.	0.2 mm ²
Conductor cross section solid max.	4 mm ²
Conductor cross section stranded min.	0.2 mm ²
Conductor cross section stranded max.	2.5 mm ²
Conductor cross section AWG/kcmil min.	24
Conductor cross section AWG/kcmil max	12

Classifications

eCl@ss

eCl@ss 4.0	27180401
eCl@ss 4.1	27180401
eCl@ss 5.0	27180506
eCl@ss 5.1	27180506
eCl@ss 6.0	27180802
eCl@ss 7.0	27182702
eCl@ss 8.0	27182702

ETIM

ETIM 2.0	EC001031
ETIM 3.0	EC001031
ETIM 4.0	EC001031
ETIM 5.0	EC001031

UNSPSC

UNSPSC 6.01	31261501
UNSPSC 7.0901	31261501
UNSPSC 11	31261501
UNSPSC 12.01	31261501

Electronic housing - UEGM 40/2-FS/FS - 2792099

Classifications

UNSPSC

UNSPSC 13.2	31261501
-------------	----------

Approvals

Approvals

Approvals


UL Recognized / GOST / GOST


Ex Approvals

Approvals submitted

Approval details

UL Recognized 

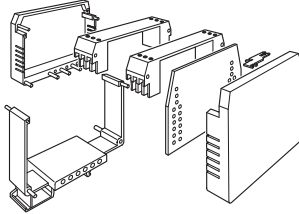
GOST 
--

GOST 
--

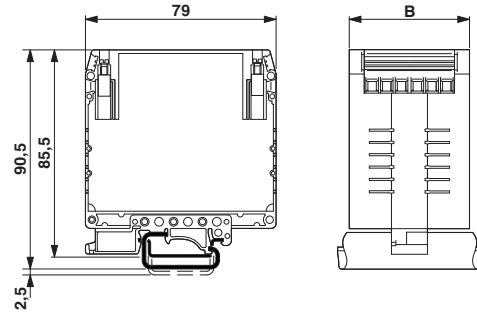
Drawings

Electronic housing - UEGM 40/2-FS/FS - 2792099

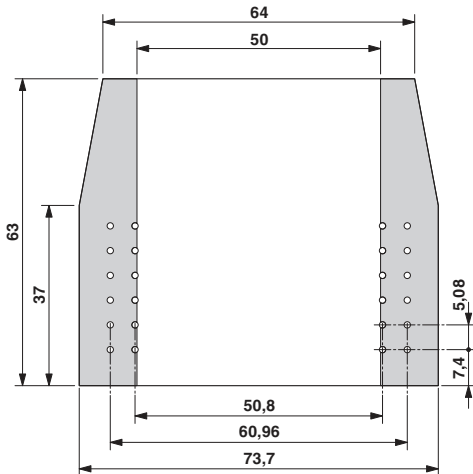
Explosion drawing



Dimensioned drawing



Dimensioned drawing



Schematic diagram

