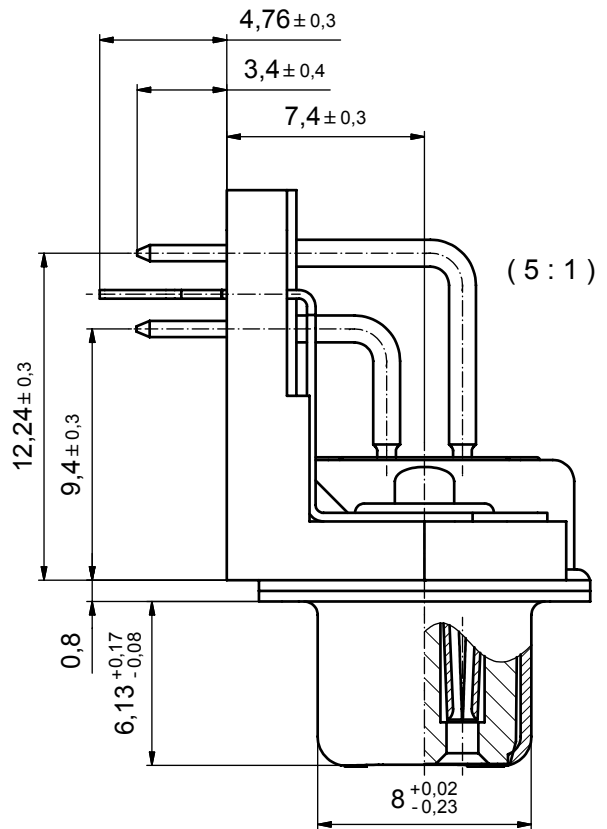
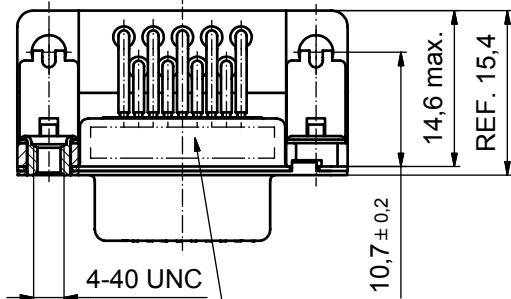
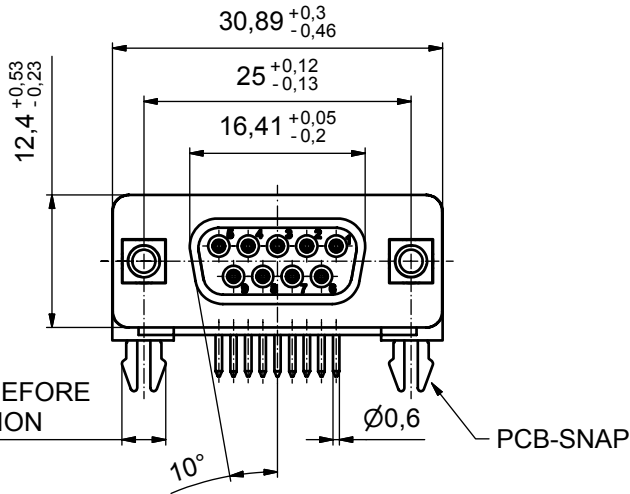


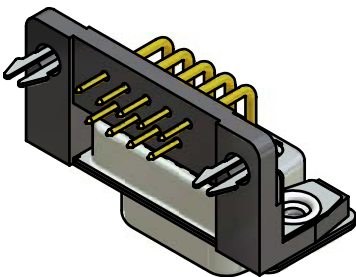
P.C.B. HOLE DRILLINGS



④ 4.1
NOMINAL BEFORE
INSTALLATION



SEE NOTE 12



Directive 2002/95/EC
„RoHS“
Compliant

NOTES:

1. RoHS COMPLIANT
2. SUITABLE FOR WAVESOLDERING
3. METALSHELLS: STEEL; min. 315µm TIN over 40-80µm NICKEL
4. INSULATORS: HIGH TEMPERATURE PLASTIC UL 94 V-0, BLACK
5. CONTACTS: COPPER ALLOY
PLATING: 8µm HARD GOLD over min. 50µm NICKEL
CONTACT TAILS PRETINNED
6. MOUNTING BRACKET: PBT GF UL 94 V-0; BLACK
7. THREADED INSERT: COPPER ALLOY; min. 200µm TIN over 80µm NICKEL
8. GROUNDING-CLIP: COPPER ALLOY
PCB-HOLE: $\varnothing 3,1 \pm 0,1$; PCB THICKNESS 1,6mm
9. CAPACITANCE: 1300pF±20%
10. DIELECTRIC WITHSTANDING VOLTAGE: 424 VDC
11. MAXIMUM TORQUE VALUE FOR THREAD: 6 in.LB
12. CONNECTOR IS PART MARKED: 242A12860X CONEC ABC

| | |
|---|--------|
| APPROVAL # FREIGABE # DEBLOCAGE # AUTORIZACION # APPROVAL | |
| CUSTOMER APPROVAL DATE: | |
| NAME: | TITLE: |
| COMPANY NAME: | |
| APPROVAL # FREIGABE # DEBLOCAGE # AUTORIZACION # APPROVAL | |

| | | | |
|--|-------------|----------|-------|
| THIS DRAWING MAY NOT BE COPIED OR REPRODUCED IN ANY WAY, AND MAY NOT BE PASSED ON TO A THIRD PARTY WITHOUT WRITTEN PERMISSION. OWNERSHIP AND COPYRIGHT OF CONEC GmbH | | | |
| DO NOT ALTER CAD DRAWING BY HAND | | | |
| 2 x b | A 2772 | 15.08.07 | Lehm. |
| a | Origin | | |
| rev. | description | date | name |

| | |
|--------------|-----------------------|
| tolerance | dim. in mm |
| date | name |
| drawn | 01.03.96 Barcinski |
| appd. | 01.03.96 Mickenbecker |
| norm | DIN 41652 |
| d-old | |
| CONEC | |

| | |
|---|------------------------|
| scale: | 2:1 (5:1) |
| material: | SEE NOTES |
| title: | |
| D-SUB FILTER FEMALE 90° | |
| 9pos. SOLDER PIN ANGLED 0.370inch | |
| threaded insert, mounting bracket, grounding clip | |
| dwg no: | Inventor 10 (b) DIN-A3 |
| | sh: 1 |
| part no: | 16K11U1A |
| | 242A12860X |