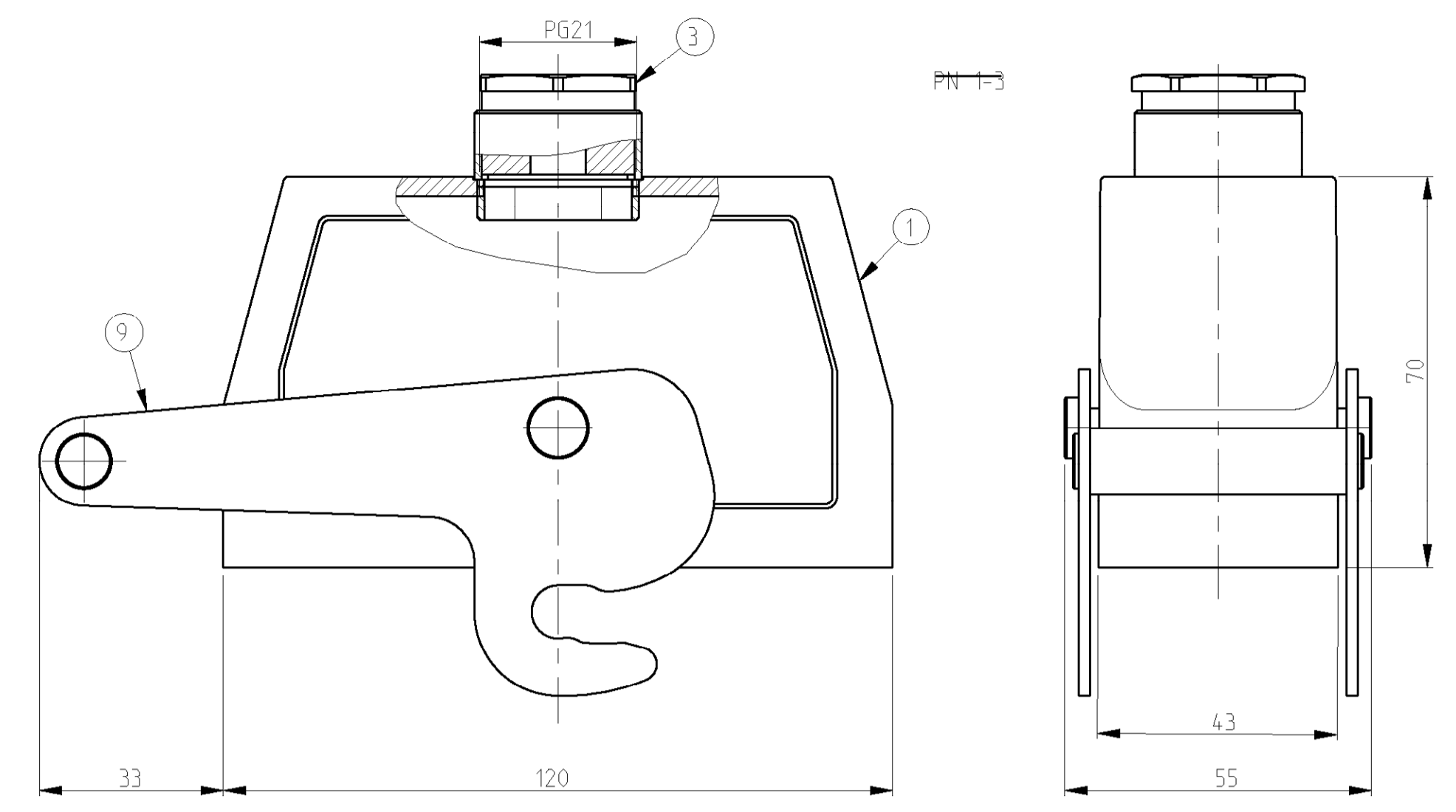
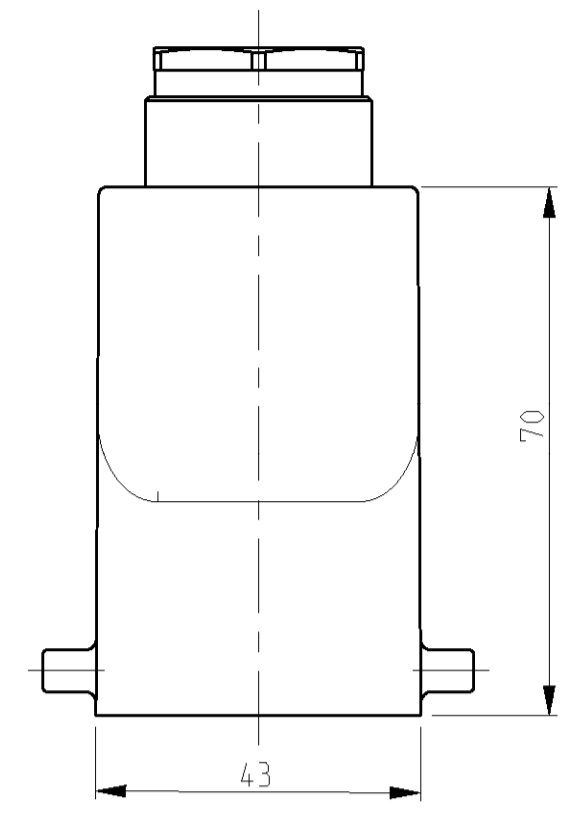
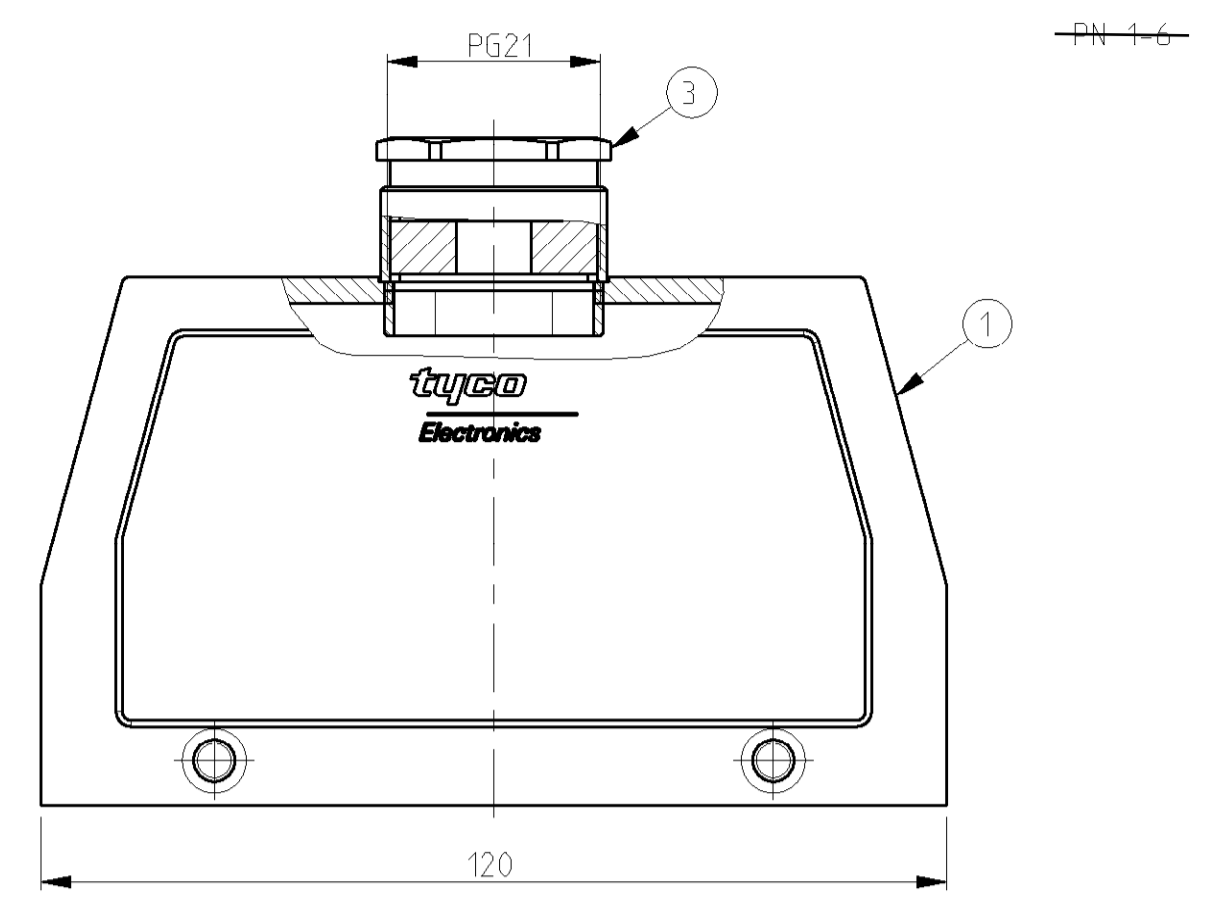
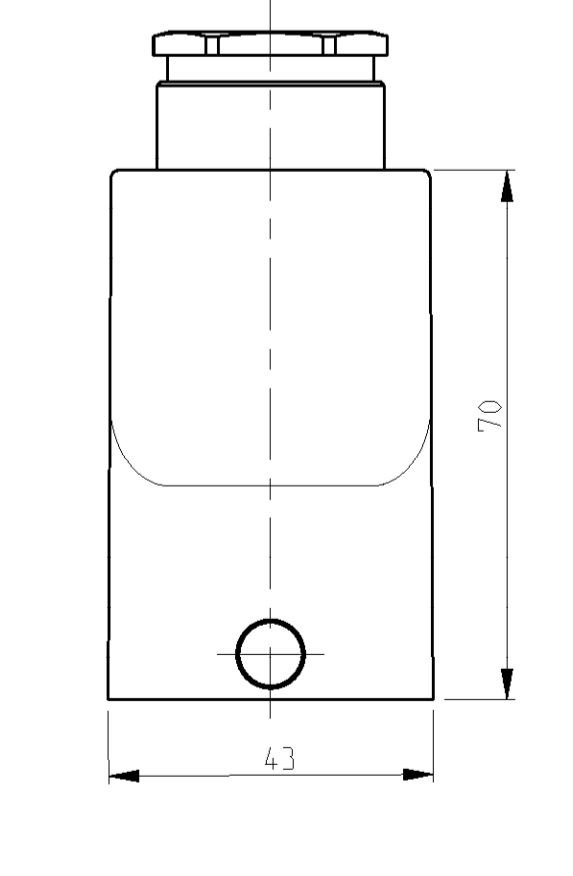
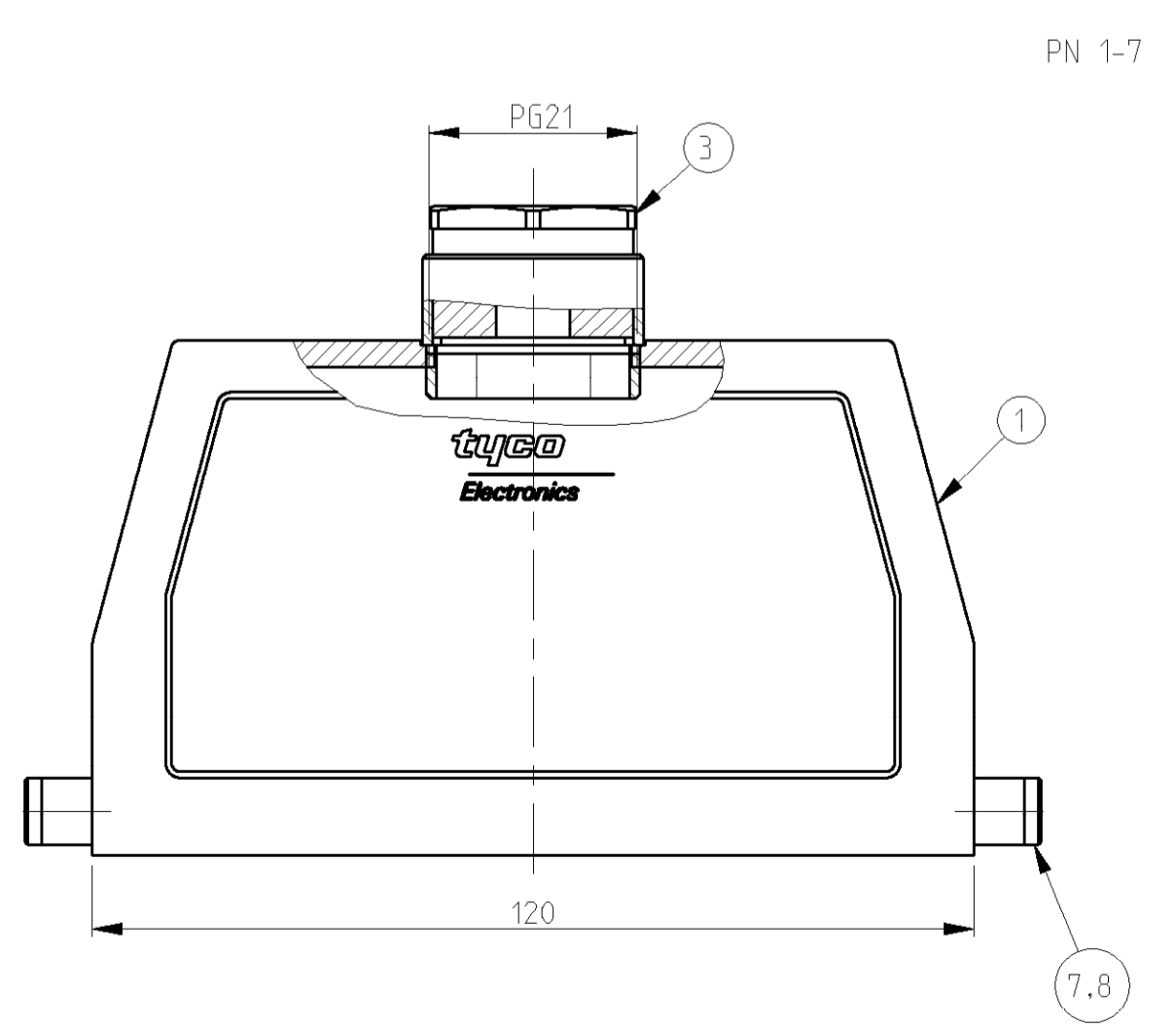
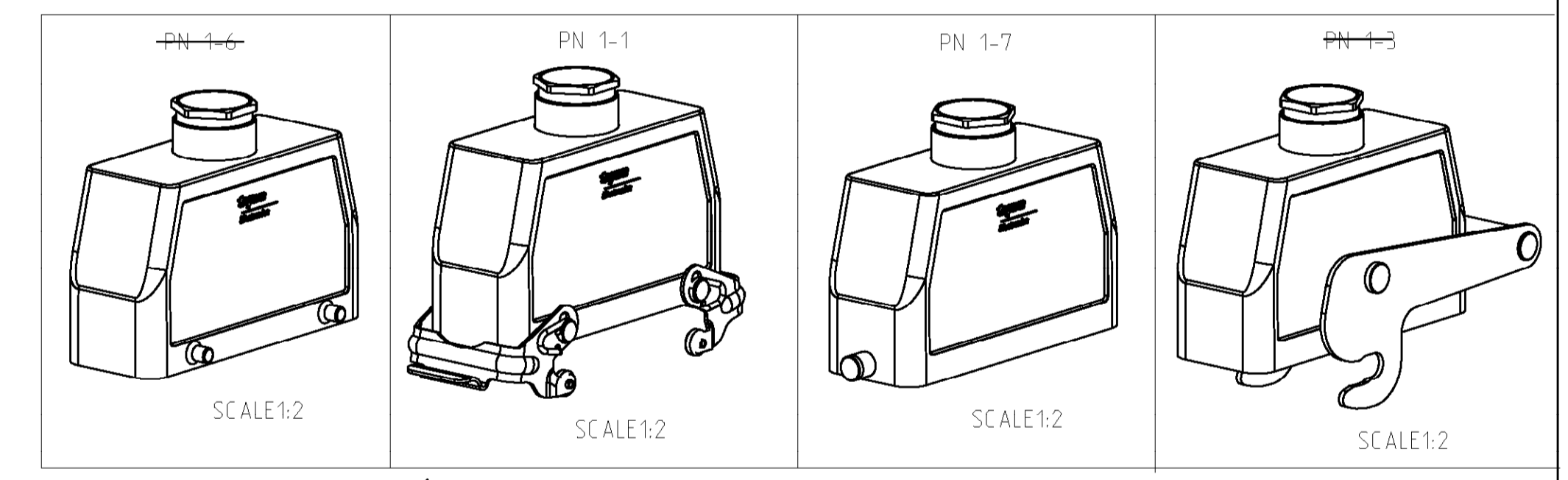
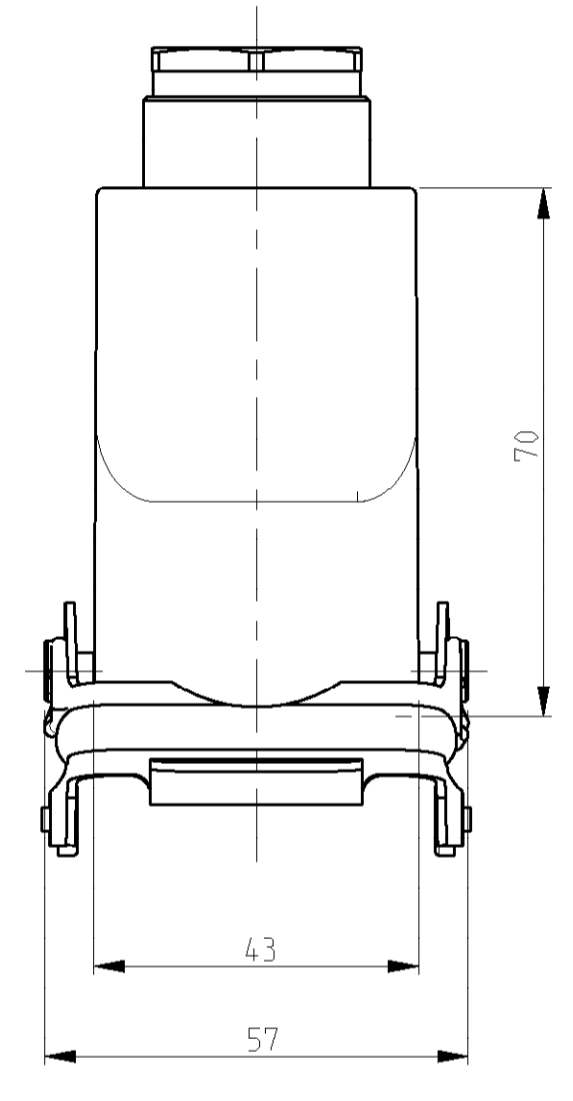
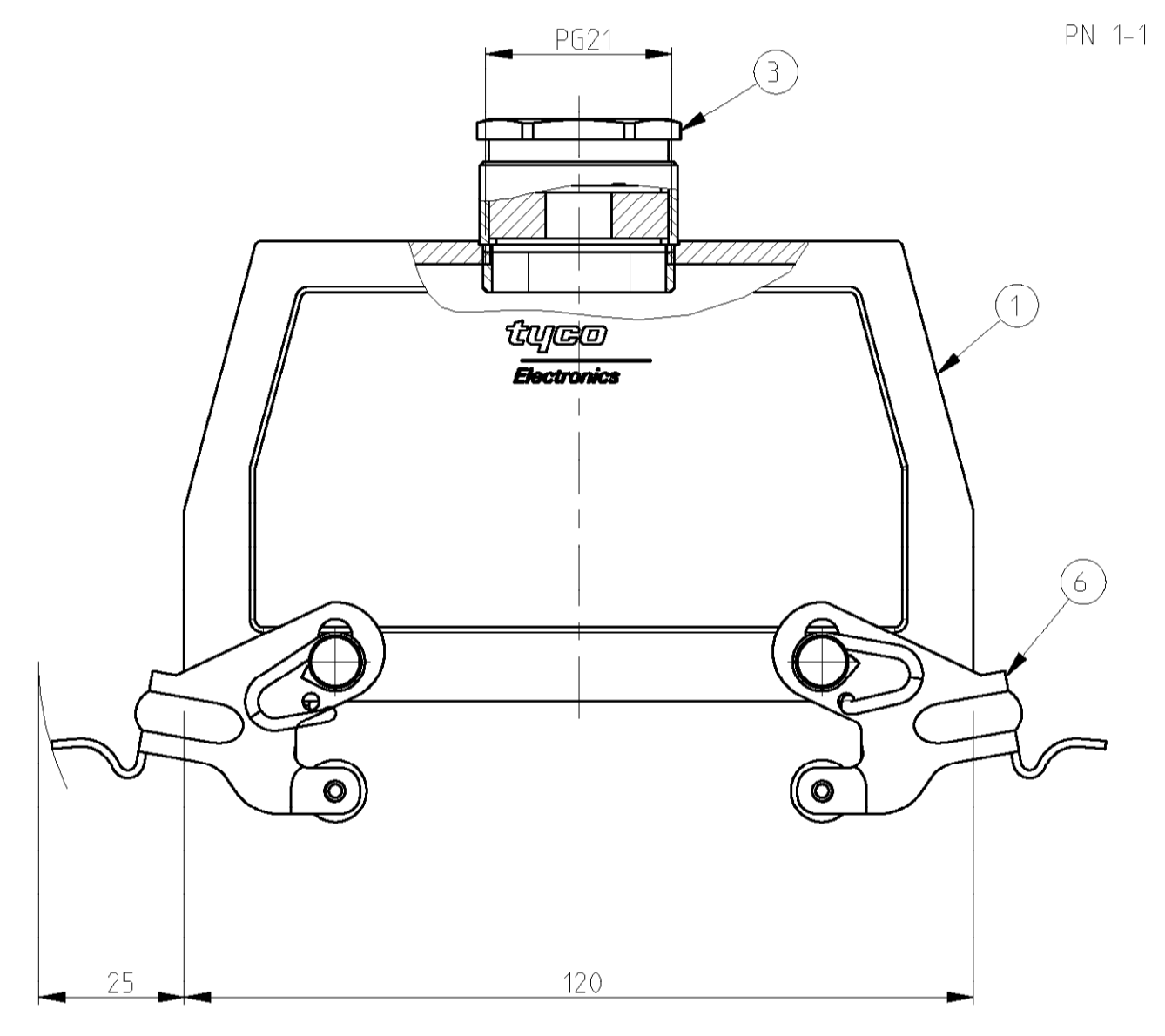


LOC	DIST	REVISIONS			
P	LYR	DESCRIPTION	DATE	DWN	APVD
A4		REVISED PER ECO-09-027197	19JAN10	KK	HMR
A5		ECR-17-013084	02APR18	SG	MKO



- NOTES:
- Material:Housing:Aluminium Diecasting Alloy
  - Surface:Varnish grey
  - Varnish on the inside not necessary
  - Packaging  
Quantity 5 Pieces in a box
- OBsolete PARTS: OBSOLETE CIS STREAMLINING PER D.RENAUD/D.SINISI**



QTY	DESCRIPTION	MATERIAL	SURFACE	COLOR	ITEM NO	REMARKS
2	ZB-Central clip	Steel	Zinc plated	Blue	9	
	LB-Clip bolt	Stainless steel	-	-	8	
	LB-Clip bolt	Steel	Zinc plated	Blue	7	
	VS-Locking clip	Steel	Zinc plated	Blue	6	
	VS-Clip bolt	Stainless steel	-	-	5	
	Hut Gland fitting Pg21	Brass	Nickel plated	-	4	
	PG Gland fitting Pg21	Brass	Nickel plated	-	3	
1	HB Hood .24.Sto.1.21	Aluminium	Aluminium oxide	Black	2	
1	HB Hood .24.Sto.1.21	Aluminium	-	Grey	1	

ORDERING TEXT

HB-24.STO-1.21  
 HB-K.24.STO-1.21  
 HB.24.STO-VS.1.21  
 HB.24.STO-GR.1.21  
 HB-K.STO-GR.1.21  
 HB-Z.24.STO-ZD.1.21

DIMENSIONS: mm TOLERANCES UNLESS OTHERWISE SPECIFIED: 0 DIM MESH-10 1 PLC ± 2 PLC ± 3 PLC ± 4 PLC ± 5 PLC ± 6 PLC ± 7 PLC ± 8 PLC ± 9 PLC ±		DWN: Schneider 31.07.2000 CDR: Schneider 31.07.2000 APVD: Schneider		<b>TE</b> TE Connectivity NAME: Hood HB.24.STO.1.21	
MATERIAL: FINISH:		PRODUCT SPEC: 108-74001 108-74003 APPLICATION SPEC: 114-74001 114-74004		SIZE: CAGE CODE: DRAWING NO: A1 00779 C=1102323 RESTRICTED TO:	
CUSTOMER DRAWING		SCALE: 1:1 SHEET 1 OF 1 REV A5		WEIGHT:	