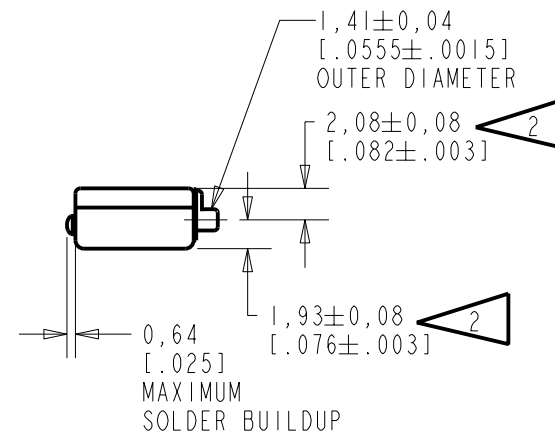
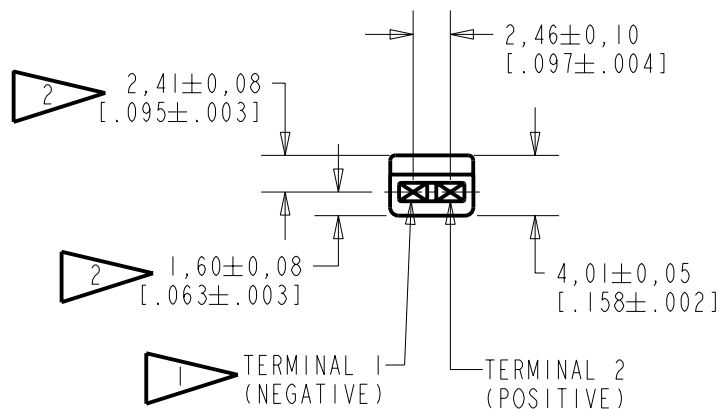
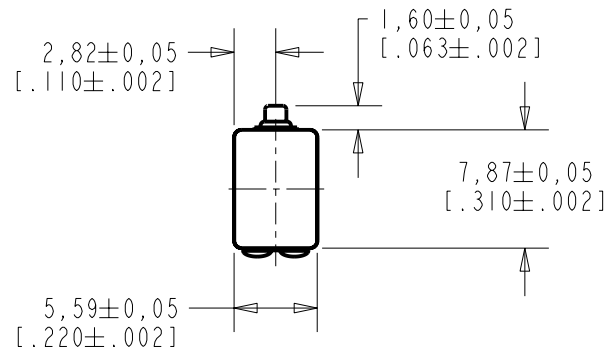


FEF-26356-104

SHT 1.1

NOTES:

- 1 A POSITIVE GOING VOLTAGE AT TERMINAL 2, RELATIVE TO TERMINAL 1, CAUSES A DECREASE IN PRESSURE AT THE SOUND OUTLET.
- 2 LOCATED FROM TWO SURFACES FOR CUSTOMER CONVENIENCE. ONLY APPLICABLE FROM ONE SURFACE, NOT TO BE USED TOGETHER. HORIZONTAL LOCATION FOR TERMINAL CENTERED TO $\pm 0,17$ [.007].



NOMINAL WEIGHT
.66 GRAMS

DIMENSIONS IN MILLIMETERS [INCHES]

KNOWLES ELECTRONICS
ITASCA, ILLINOIS U.S.A.

Revision	C.O. #	Implementation Date	RELEASE LEVEL	REVISION
A	CI0103605	2-6-06	Released	A

SCALE: 2:1		DR. BY	DATE
DO NOT SCALE DRAWING		MMM	2-6-06
TITLE: RECEIVER		CK. BY	DATE
OUTLINE DRAWING		GJP	2-8-06
FEF-26356-104		APP. BY	DATE
SHT 1.1		GJP	2-8-06

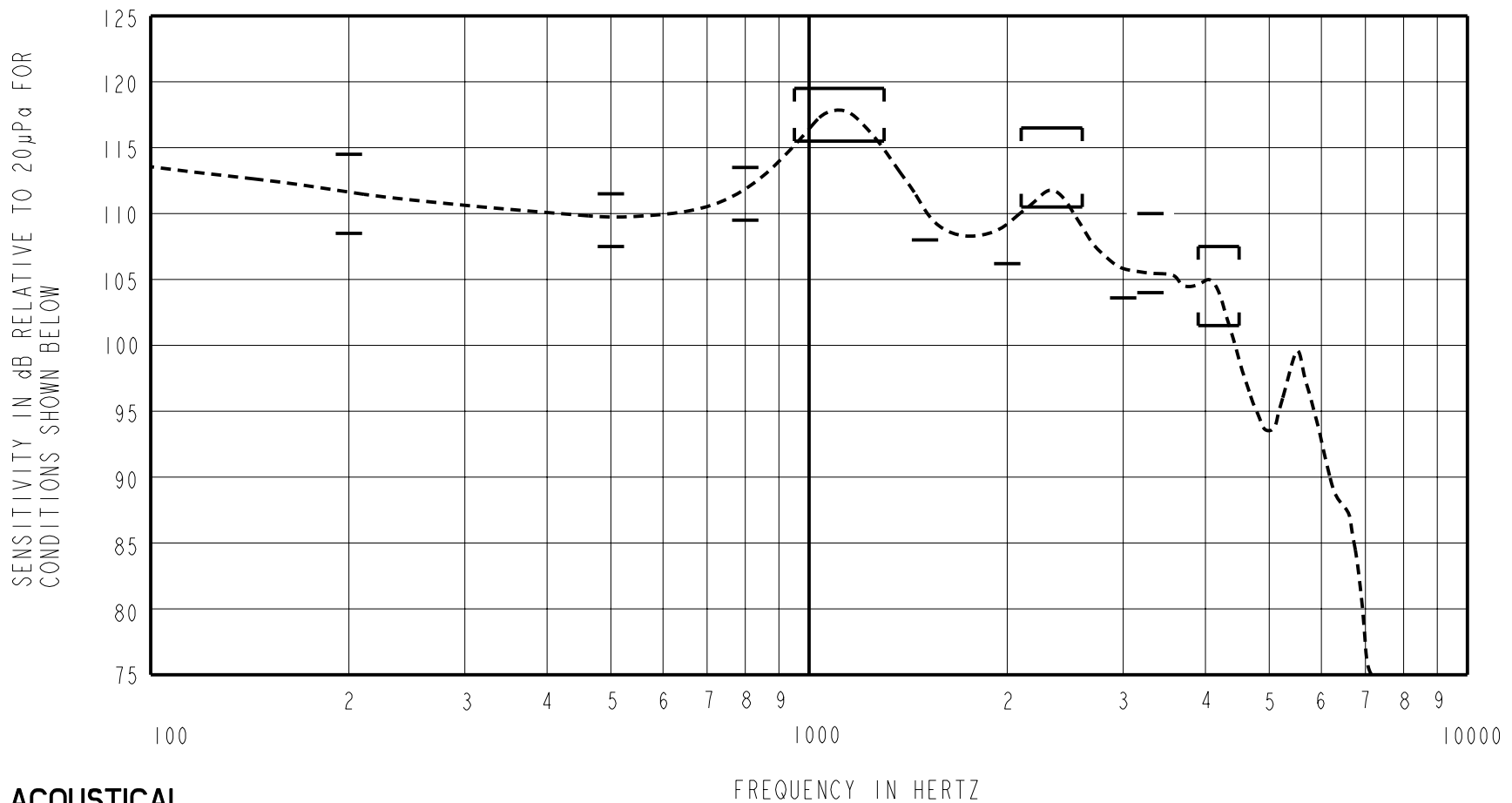
THE FEF-26356-104 IS A FERROFLUID DAMPED EF-26356-000 RECEIVER. THE AMPLITUDE OF PEAK #2 OF THE FREQUENCY RESPONSE IS +4dB RELATIVE TO THE SENSITIVITY AT 500 Hz UNDER CONSTANT VOLTAGE DRIVE CONDITIONS.

FERROFLUID DAMPING

FEF-26356-104

SHEET 2.1

CONSTANT VOLTAGE DRIVE CONDITIONS



ACOUSTICAL

SENSITIVITY
 DEVICE WILL PRODUCE THE SPL LISTED BELOW UNDER TEST CONDITIONS DESCRIBED IN TABLE 3.
 NOMINAL SENSITIVITY AT 500 Hz IS dB RELATIVE TO 20µPa. ALL OTHER VALUES
 IN dB RELATIVE TO THE SENSITIVITY AT 500 Hz EXCEPT MINIMUM LIMITS AT 1500, 2000, AND 3000 Hz
 (I.E., dB RE 20 µPa PER CUSTOMER REQUIREMENT).

FREQUENCY (Hz)	MINIMUM	NOMINAL	MAXIMUM
200	-1.0	+2.0	+5.0
500	-2.0	109.5	+2.0
800	0.0	+2.0	+4.0
950-1300	+6.0	+8.0	+10.0
1500	108.0	-	-
2000	106.2	-	-
2100-2600	+1.0	+4.0	+7.0
3000	103.6	-	-
3300	-5.5	-2.5	+0.5
3900-4500	-8.0	-5.0	-2.0

PORT LOCATION: 12S

TABLE 1

TOTAL HARMONIC DISTORTION
 DEVICE WILL NOT EXCEED TOTAL HARMONIC DISTORTION LEVELS LISTED BELOW.

FREQUENCY (Hz)	AC DRIVE (V rms)	DC BIAS (mA)	LIMIT (%)
500	0.14	0	5
500	0.25	0	10

TABLE 2

TEST CONDITIONS

NOMINAL SOURCE VOLTAGE	0.14 V rms, 0 mA DC BIAS
SOURCE IMPEDANCE	<1 Ohm
TUBING	8mm x 1mm ID + 28mm x 1.5mm ID EAR HOOK SIMULATOR + 25mm x 2mm ID TUBE + 18mm x 3mm ID TUBE
COUPLER CAVITY	2 CM ³ , SIMULATED ANSI S3.7 TYPE HA-3 (IEC 126)

TABLE 3

ELECTRICAL

DC RESISTANCE	39.1 Ohms ± 10%
IMPEDANCE @ 500 Hz	73 Ohms ± 15%
IMPEDANCE @ 1kHz	115 Ohms ± 15%

TABLE 4

ISOLATION: CASE WILL BE ELECTRICALLY ISOLATED FROM THE COIL CIRCUIT.

TEMPERATURE: OPERATING RANGE FROM 0°C TO 63°C (SENSITIVITY WILL NOT VARY BY MORE THAN ±3 dB WITHIN RANGE)
 SENSITIVITY AT 0°C IS 1.5dB LOWER THAN THE SENSITIVITY AT ROOM TEMPERATURE.
 DELTA PEAK IS 1.8dB HIGHER AT BODY TEMPERATURE (37°C)
 STORAGE RANGE FROM -40°C TO 63°C

Revision	C.O. #	Implementation Date	RELEASE LEVEL	REVISION
			Released	A
A	CI0103605	2-6-06		
WHEN TEST LIMITS ARE USED TO ESTABLISH INCOMING INSPECTION ACCEPTANCE/REJECTION CRITERIA, CORRELATION OF TEST EQUIPMENT WITH KNOWLES IS ALSO REQUIRED FOR ELIMINATION OF EQUIPMENT AND TEST METHOD VARIATION			DR. BY	DATE
TITLE: RECEIVER PERFORMANCE SPECIFICATION			MMM	2-6-06
			FEF-26356-104	
			GJP	2-8-06
			APP. BY	DATE
			GJP	2-8-06

KNOWLES ELECTRONICS
 ITASCA, ILLINOIS U.S.A.