


**PTSM 0,5/ 2-HV-2,5-THR R32**

Order No.: 1778557

<http://eshop.phoenixcontact.de/phoenix/treeViewClick.do?UID=1778557>

Header, Nominal current: 6 A, Rated voltage (III/2): 160 V, Number of positions: 2, Pitch: 2.5 mm, Color: black, Metal surface: Sn, Assembly: SMD/THT/THR

**Commercial data**

GTIN (EAN)	 4 046356 529723
sales group	E430
Pack	330 pcs.
Customs tariff	85369010
Catalog page information	Page 185 (NTK-2010)

**Product notes**

WEEE/RoHS-compliant since:  
09/17/2009



<http://www.download.phoenixcontact.com>  
Please note that the data given here has been taken from the online catalog. For comprehensive information and data, please refer to the user documentation. The General Terms and Conditions of Use apply to Internet downloads.

**Technical data****Dimensions / positions**

Length	5 mm
Pitch	2.5 mm
Dimension a	2.5 mm
Number of positions	2

Pin dimensions	0,6 x 0,6 mm
Pin spacing	2.50 mm
Hole diameter	1.1 mm

#### Technical data

Range of articles	PTSM 0,5/..-HV-THR
Insulating material group	IIIa
Rated surge voltage (III/3)	2.5 kV
Rated surge voltage (III/2)	2.5 kV
Rated surge voltage (II/2)	2.5 kV
Rated voltage (III/2)	160 V
Rated voltage (II/2)	160 V
Connection in acc. with standard	EN-VDE
Nominal current $I_N$	6 A
Nominal voltage $U_N$	50 V
Maximum load current	6 A
Insulating material	LCP
Inflammability class acc. to UL 94	V0
Nominal voltage, UL/CUL Use Group B	150 V
Nominal current, UL/CUL Use Group B	6 A

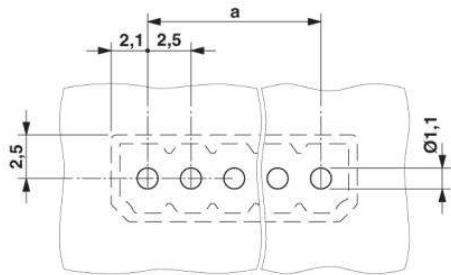
#### Certificates / Approvals



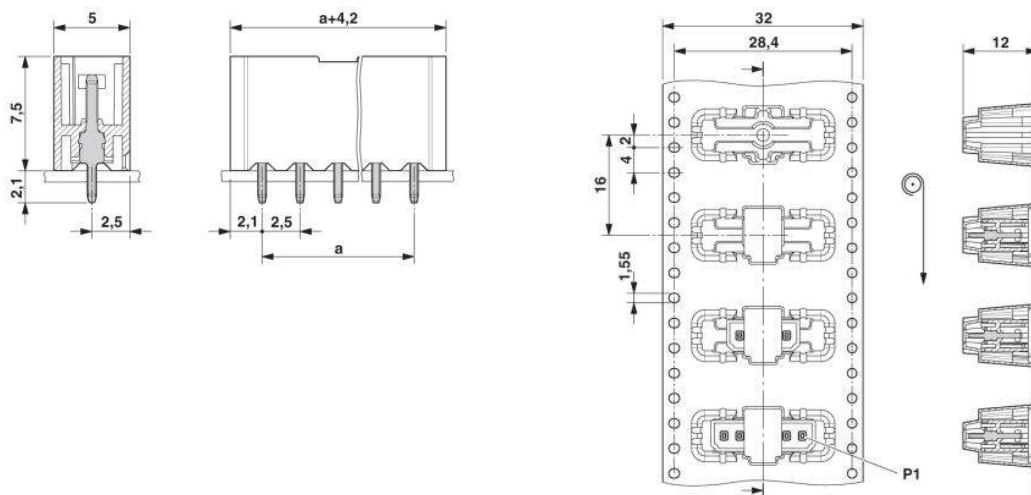
Certification	CUL, UL
Certifications applied for:	UL / CUL

## Diagrams/Drawings

### Drilling plan/solder pad geometry



### Dimensioned drawing



**Address**

PHOENIX CONTACT Inc., USA  
586 Fulling Mill Road  
Middletown, PA 17057, USA  
Phone (800) 888-7388  
Fax (717) 944-1625  
<http://www.phoenixcon.com>



© 2011 Phoenix Contact  
Technical modifications reserved;