

THIS DRAWING IS UNPUBLISHED.

RELEASED FOR PUBLICATION

20

© COPYRIGHT 20

TE

ALL RIGHTS RESERVED.

LOC
AP

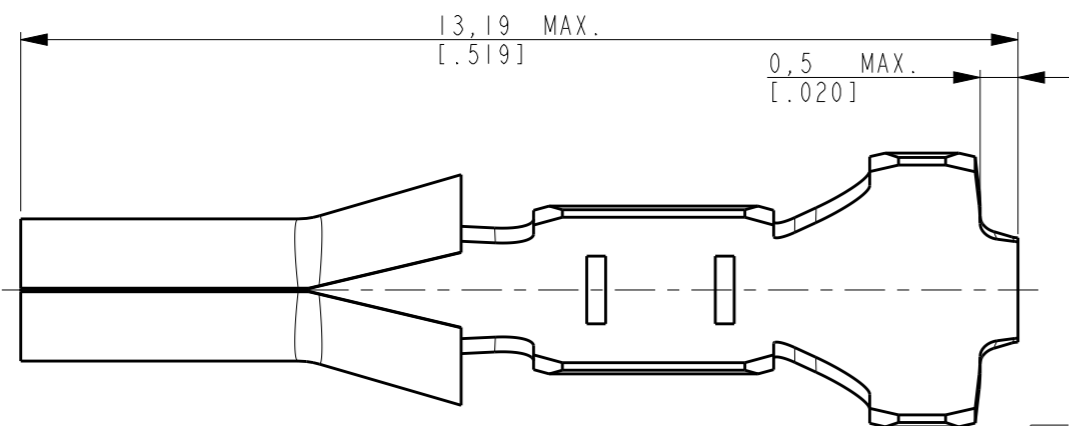
DIST
-

REVISIONS

P	LTR	DESCRIPTION	DATE	DWN	APVD
	L	REV. BY ECO-11-020077	18OCT2011	HC	WLS
	LI	REV. BY ECO 13-016867	30OCT2013	HC	WLS

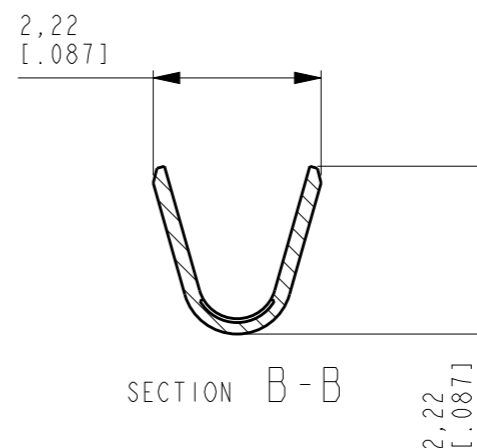
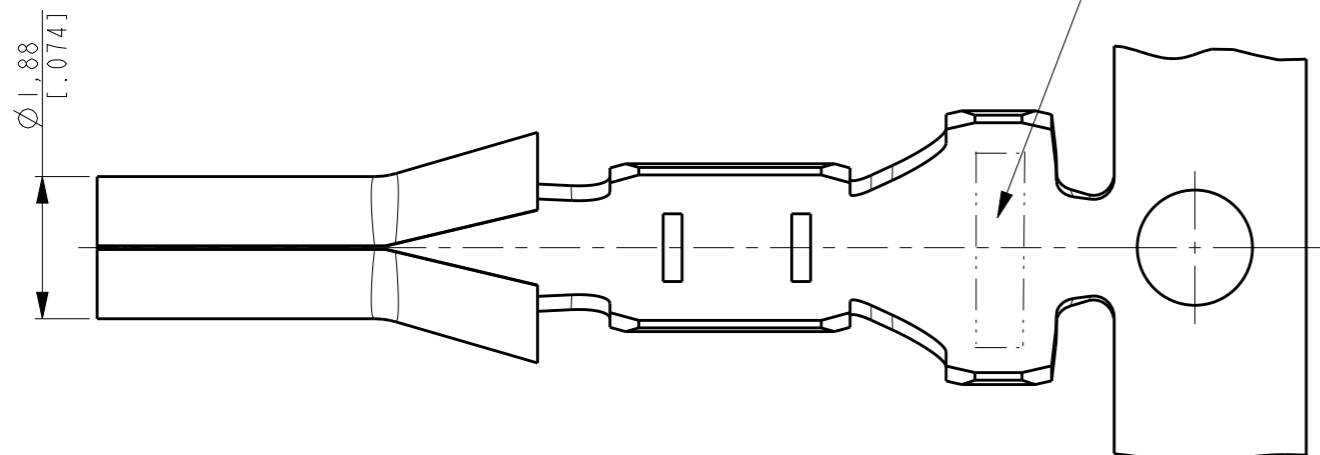
NOTES:

⚠ WIRE RANGE #22 TO #18 AWG; INSULATION RANGE 1,5 mm TO 2,8 mm [.060 TO .100 INCH]

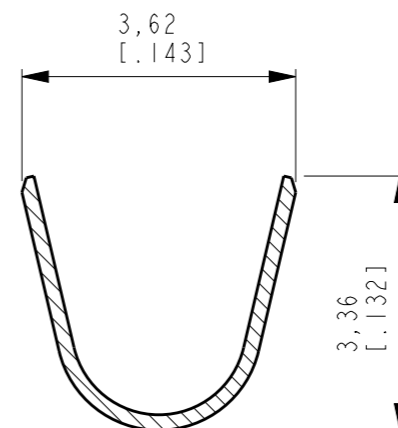


AFTER CUTOFF

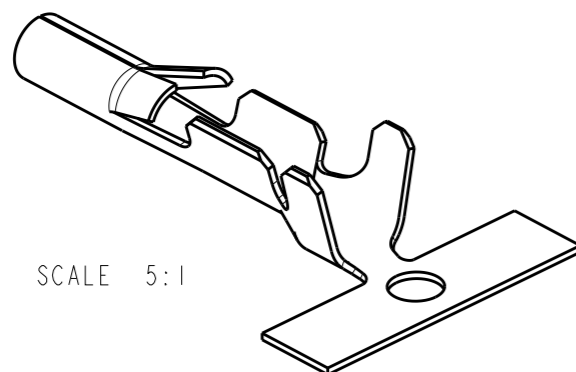
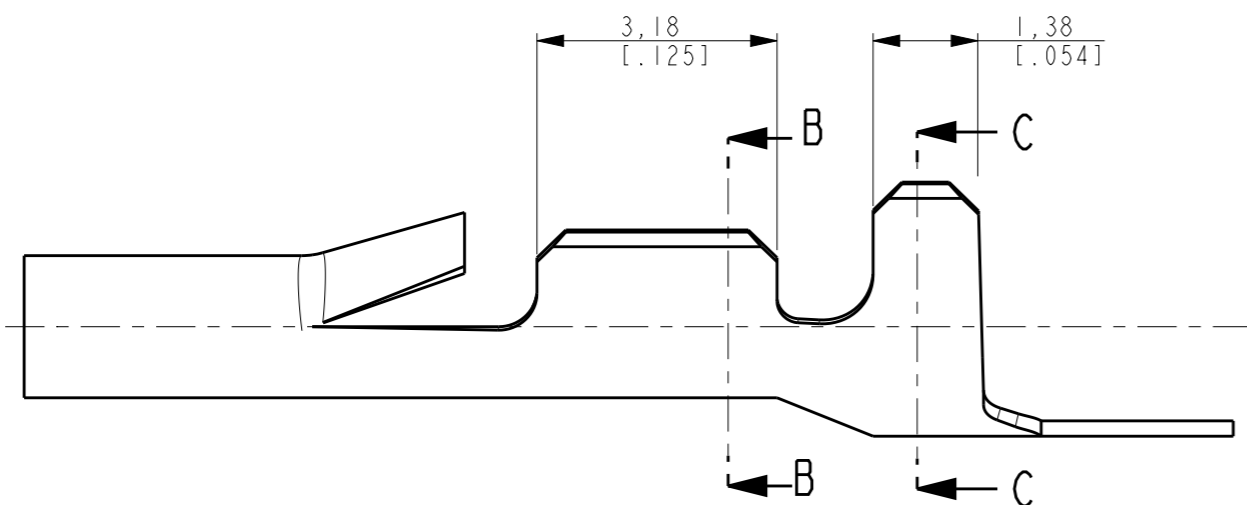
LOGO



SECTION B-B



SECTION C-C



SCALE 5:1

FINISH	MATERIAL	DESCRIPTION	PARTNUMBER
POST-TIN OVER NICKEL	BRASS	LOOSE PIECE	61123-1
PRE-TIN	BRASS	STRIP PRODUCT	61064-3
PRE-TIN OVER NICKEL	BRASS	STRIP PRODUCT	61064-1

THIS DRAWING IS A CONTROLLED DOCUMENT.

DWN H.C.CANTERI | INOV2009

CHK W.L.STEFANI | INOV2009

APVD -

PRODUCT SPEC

108-1002

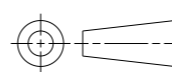
APPLICATION SPEC

WEIGHT -

Customer Drawing

DIMENSIONS:
mm [inch]

TOLERANCES UNLESS OTHERWISE SPECIFIED:



- 0 PLC ±-
- 1 PLC ±-
- 2 PLC ±0,31 (.012)
- 3 PLC ±-
- 4 PLC ±-
- ANGLES ±2°
- FINISH SEE TABLE

MATERIAL SEE TABLE

FINISH SEE TABLE



.060 COMBOLINE SOCKET

SIZE CAGE CODE DRAWING NO RESTRICTED TO

A3 00779 C-61064

SCALE 10/1 SHEET 1 OF 1 REV LI