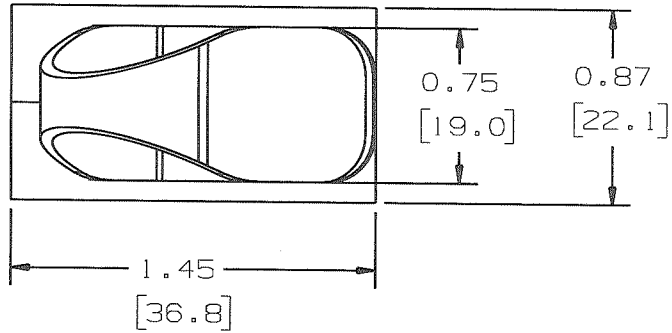
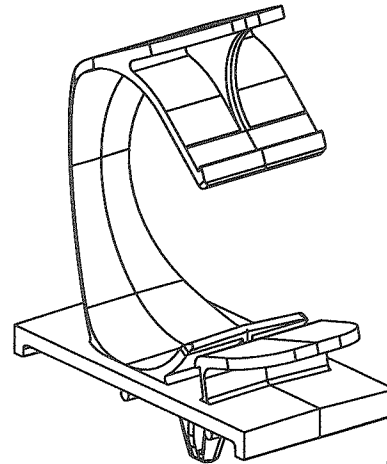
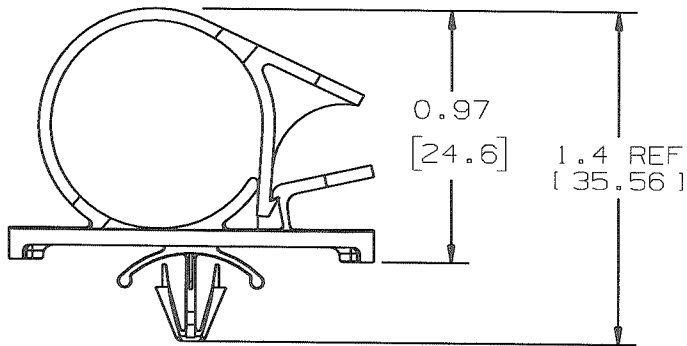


THIS COPY IS PROVIDED ON A RESTRICTED BASIS AND IS NOT TO BE USED IN ANY WAY DETRIMENTAL TO THE INTERESTS OF PANDUIT CORP.

| PANDUIT PART NUMBER* | MAXIMUM CABLE DIA.<br>in. (mm) | WEIGHT<br>lbs. (g)/100pcs | HOLE SIZE DIA. RANGE | PANEL THK. RANGE         |
|----------------------|--------------------------------|---------------------------|----------------------|--------------------------|
| LWC75-H25            | 0.75<br>(19.05)                | 1.05<br>(475)             | 3/16"-1/4"<br>[5-6]  | 0.025-0.105<br>[0.6-2.7] |



NOTES:  
1. SEE CURRENT PRICE SHEET FOR PART NUMBER SUFFIX DESIGNATION, FOR PACKAGE SIZE.



DIMENSIONS IN BRACKETS ARE METRIC [ mm ]

CAD FILENAME/LAYERS G03597G0\_DC\_GB0239FB/00B

**PANDUIT** CORP. TINLEY PARK, ILLINOIS

LWC75-H25, LATCHING WIRE CLIP

UNLESS OTHERWISE SPECIFIED, DIMENSIONAL TOLERANCES ARE:  
(.X) ±0.05 (1.3) (.XXX) ±0.010 (0.25)  
(.XX) ±0.02 (0.5) ANGLES ± 5°

UNLESS OTHERWISE SPECIFIED, ALL DIMENSIONS ARE GIVEN IN INCHES, THIRD ANGLE PROJECTION.

DRAWN BY JAD

MAT'L:

SCALE NONE

DATE 8/18/97

NYLON 6/6

DRAWING NO.

DRG

CHK'D KLN

GB0239FG

A

SIZE

| REV | DATE     | BY   | CHK        | DESCRIPTION                                 | ECN      | R   | CUST       | SUP |
|-----|----------|------|------------|---|----------|-----|------------|-----|
| 00B | 04-14-09 | GDH  | <i>GDH</i> | UPDATED PANEL THICKNESS RANGE CONVERSION    | GB0239FG | 00B | <i>KLN</i> |     |
| I   | 2-4-99   | CGSM |            | CHANGED DIM. TO REF. DIM. UPDATED FILE NAME | GB0239FG | I   |            |     |
| R   | 8/19/97  | JAD  |            | INITIAL RELEASE                             | GB0239FG | R   |            |     |