

DO NOT SCALE FROM THIS PRINT

DESIGNED & DIMENSIONED IN MILLIMETERS [INCHES]

T1M-XX-X-SH-L-X-XX

No. OF POSITIONS
-02 THRU -20

PACKAGING

BLANK: TAPE & REEL (SEE NOTES 3, 5 & 6)
-FR: FULL REEL QTY TAPE & REEL (SEE NOTES 5 & 6)

PLATING SPECIFICATION

*-T: MATTE TIN CONTACT AND TAIL
-F: 3μ" GOLD ON CONTACT, MATTE TIN ON TAIL

OPTION

-K: POLYIMIDE FILM (SEE FIG 2, SHT 2)

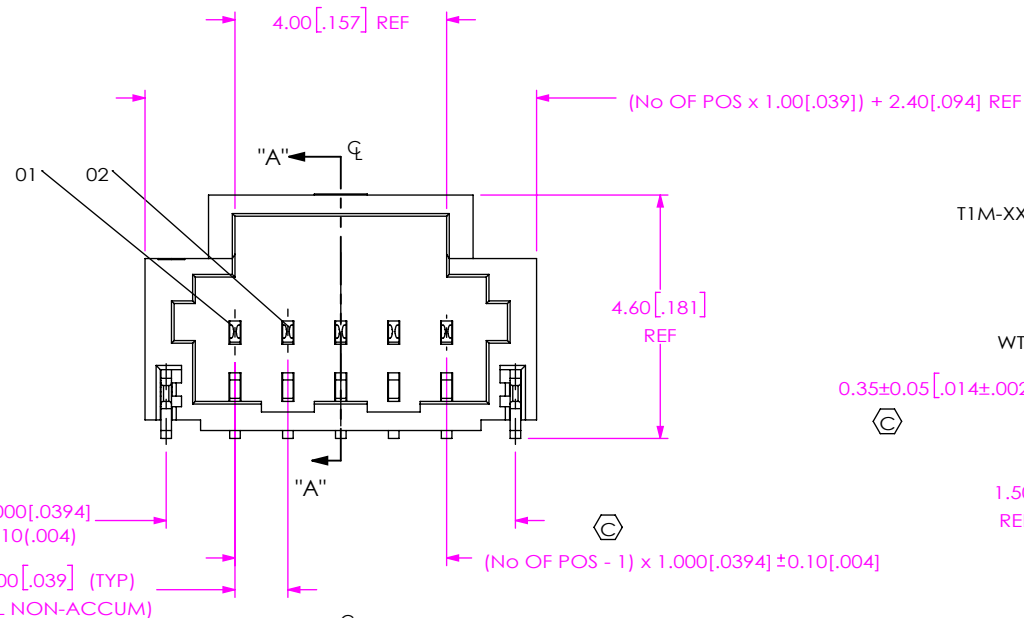
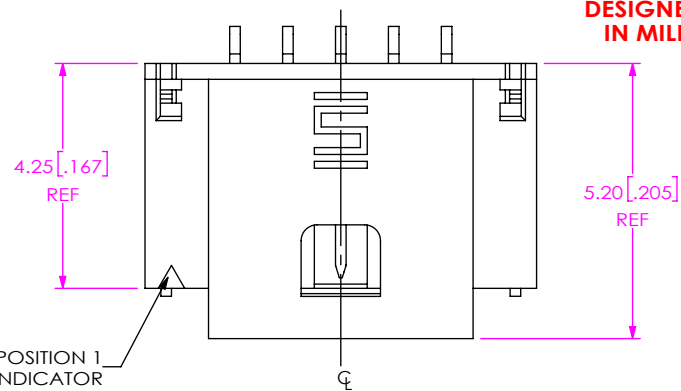
ROW SPECIFICATION

-SH: SINGLE ROW, HORIZONTAL

LATCH

* = FOR EXISTING CUSTOMERS ONLY

POSITION 1 INDICATOR



(No OF POS - 1) x 1.00 [.0394] ± 0.10 [.004]

1.00 [.039] (TYP) (TOL NON-ACCUM)

(No OF POS - 1) x 1.00 [.0394] ± 0.10 [.004]

(No OF POS - 1) x 1.00 [.0394] ± 0.10 [.004]

0.20 [.008] REF (TYP)

T1M-XX-S-L

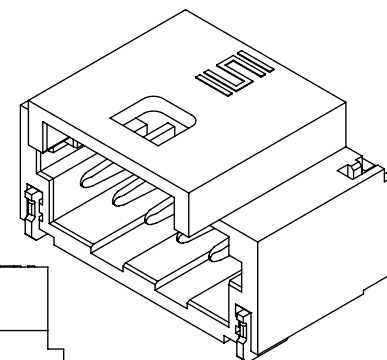
WT-68-02-X

T-1M123-02-XX

0.35 ± 0.05 [.014 ± .002]

1.50 [.059] REF (TYP)

5.10 [.201]



NOTES:

1. Ⓢ REPRESENTS A CRITICAL DIMENSION.
2. MINIMUM PUSHOUT FORCE: 2.22N [.5 LB] FOR SIGNAL AND WELD TAB.
3. TAPE AND REEL IS STANDARD PACKAGING.
4. COPLANARITY MEASUREMENT INCLUDES WT'S.
5. ORDERS WILL BE PACKAGED ACCORDING TO THE SAMTEC PACKAGING EFFICIENCY STANDARDS (SPES) FOUND ON WWW.SAMTEC.COM.
6. ATTACH LABEL TO EACH REEL.

FIG 1
T1M-05-X-SH-L SHOWN

UNLESS OTHERWISE SPECIFIED, DIMENSIONS ARE IN MILLIMETERS.

TOLERANCES ARE:

DECIMALS	ANGLES
X.X: ±0.3 [.01]	2°
X.XX: ±0.13 [.005]	
X.XXX: ±0.051 [.0020]	

PROPRIETARY NOTE

THIS DOCUMENT CONTAINS CONFIDENTIAL AND PROPRIETARY INFORMATION AND ALL DESIGN, MANUFACTURING, REPRODUCTION, USE, PATENT RIGHTS AND SALES RIGHTS ARE EXPRESSLY RESERVED BY SAMTEC, INC. THIS DOCUMENT SHALL NOT BE DISCLOSED, IN WHOLE OR PART, TO ANY UNAUTHORIZED PERSON OR ENTITY NOR REPRODUCED, TRANSFERRED OR INCORPORATED IN ANY OTHER PROJECT IN ANY MANNER WITHOUT THE EXPRESS WRITTEN CONSENT OF SAMTEC, INC.

MATERIAL: DO NOT SCALE DRAWING
INSULATOR: LCP, UL 94 V-0; COLOR: NATURAL
TERMINAL: PHOS BRONZE
WELD TAB: PHOS BRONZE

SHEET SCALE: 7:1

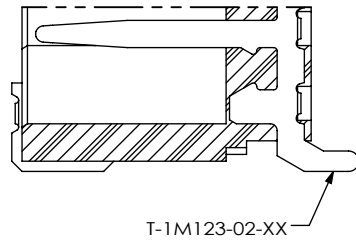


520 PARK EAST BLVD, NEW ALBANY, IN 47150
PHONE: 812-944-6733 FAX: 812-948-5047
e-Mail: info@SAMTEC.com code 55322

DESCRIPTION:
1 MM SINGLE ROW DISCRETE WIRE HEADER

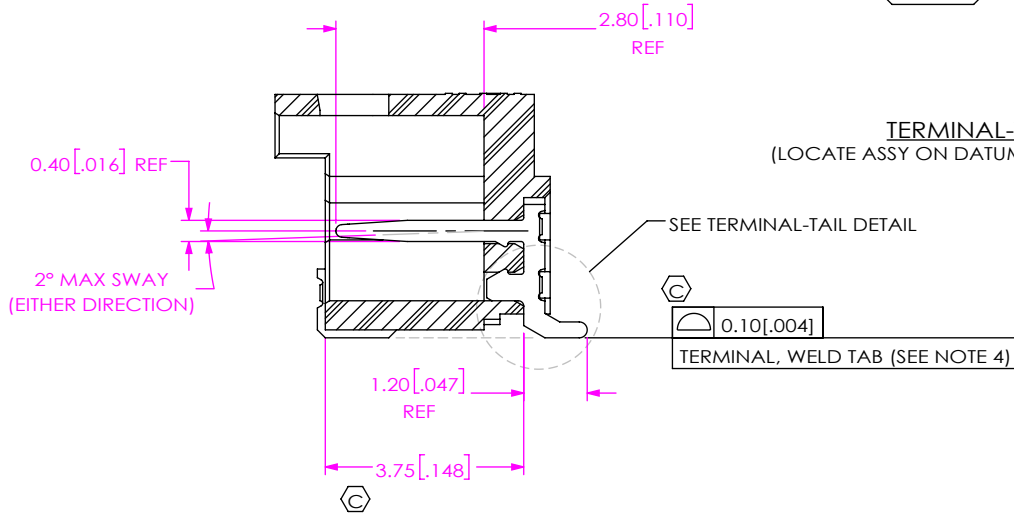
DWG. NO.
T1M-XX-X-SH-L-X-XX

BY: ROY LUO 08/22/2014 SHEET 1 OF 2

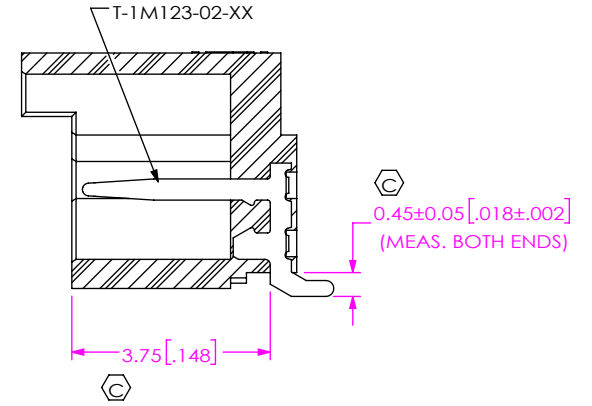


T-1M123-02-XX

TERMINAL-TAIL DETAIL
(LOCATE ASSY ON DATUM -C- FOR MEASUREMENT)



SECTION "A"-"A"



IN-PROCESS 1
(FILL T-1M123-02-XX)

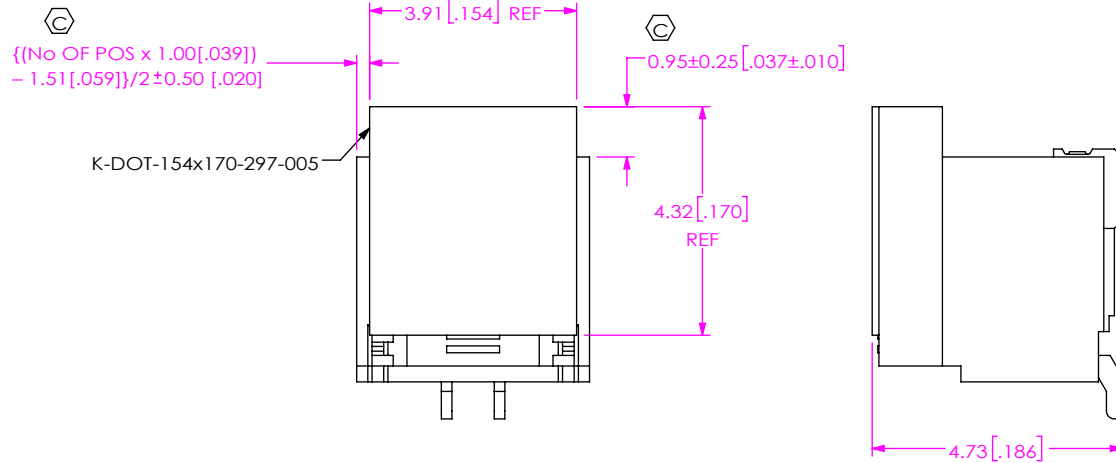


FIG 2
-K: POLYIMIDE FILM
(T1M-02-X-SH-L-K SHOWN)

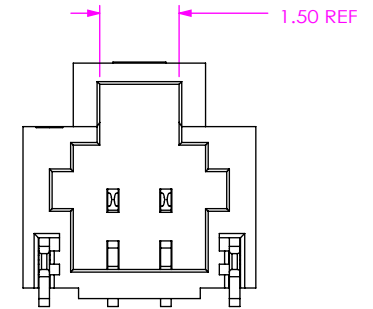


FIG 3
T1M-02-X-SH-L SHOWN
(DIFFERENT AS SHOWN, OTHERWISE SAME AS FIG 1)
(FOR POSITIONS -02 THRU -04)

PROPRIETARY NOTE
THIS DOCUMENT CONTAINS CONFIDENTIAL AND PROPRIETARY INFORMATION AND ALL DESIGN, MANUFACTURING, REPRODUCTION, USE, PATENT RIGHTS AND SALES RIGHTS ARE EXPRESSLY RESERVED BY SAMTEC, INC. THIS DOCUMENT SHALL NOT BE DISCLOSED, IN WHOLE OR PART, TO ANY UNAUTHORIZED PERSON OR ENTITY NOR REPRODUCED, TRANSFERRED OR INCORPORATED IN ANY OTHER PROJECT IN ANY MANNER WITHOUT THE EXPRESS WRITTEN CONSENT OF SAMTEC, INC.

DO NOT SCALE DRAWING

SHEET SCALE: 7:1



520 PARK EAST BLVD, NEW ALBANY, IN 47150
PHONE: 812-944-6733 FAX: 812-948-5047
e-Mail: info@SAMTEC.com code 55322

DESCRIPTION:
1 MM SINGLE ROW DISCRETE WIRE HEADER

DWG. NO.
T1M-XX-X-SH-L-X-XX

BY: ROY LUO 08/22/2014 SHEET 2 OF 2