

## Specification For The Acoustic Characteristics of Dynamic Speaker

Customer		Model Name	BTD44-12-03H20.1 LF
Customer P/N		Product No.	260101
Date	21 Feb. 20	Issue No.	BS/TES01.1142A0
Page	01 of 07	Issue Date	2020.02.21

### Approval:

- 1.Characteristics
- 2.Drawing
- 3.Reliability Test
- 4.Packing
- 5.History Change Record

Drawn by	Checked by	Approved by	Customer approved
杨利平	黄金	张勇磊	

### ***BESTAR ELECTRONICS INDUSTRY CO.,LTD***

No.199 HuangHe West Road,New district,ChangZhou,JiangSu Province,P.R.China

**Tel:** +86 519 88222567      **Fax:** +86 519 88222551

**E-mail:**[wu@be-star.com](mailto:wu@be-star.com)      **<http://www.be-star.com>**

BTD44-12-03H20.1 LF

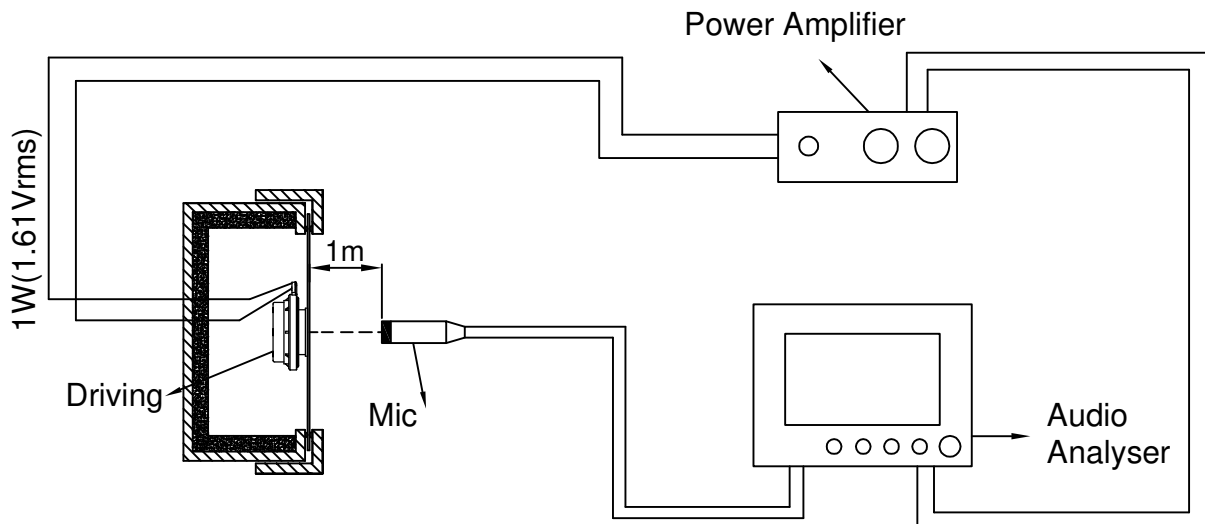


1.Characteristics

1.1 Electrical and Mechanical Characteristics

No.	Item	Specification
1.	Dimension	Ø44 ×20.1(mm)
2.	AC Impedance	3 Ω ±15%(at 1KHz)
3.	Rated Input Power	10W(5.09Vrms)
4.	Maximum Input Power	20W(7.21Vrms)
5.	Resonance Frequency	250Hz ±20%
6.	Frequency Response	f <sub>o</sub> ~20KHz
7.	T.H.D(1W)	<5% at 1.0KHz
8.	Buzzes & Rattles	Must be normal at sine wave 5.09 Vrms
9.	Polarity	Positive voltage to (+),Diaphragm moves forward
10.	Operating Temperature	-40~+ 85°C
11.	Storage Temperature	-40~+ 85°C
12.	Weight	~70g

1.2 Test Method

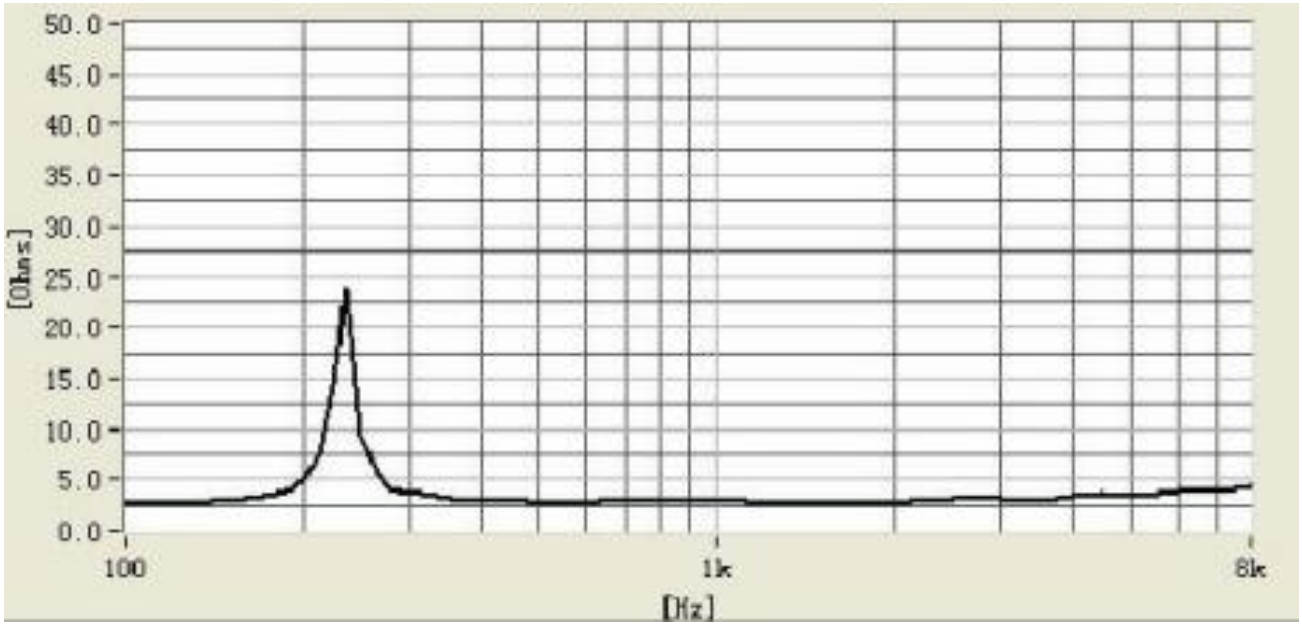


This print and information there in are proprietary to BESTAR Holdings Co., Ltd. and shall not be used in whole or in part without its written content

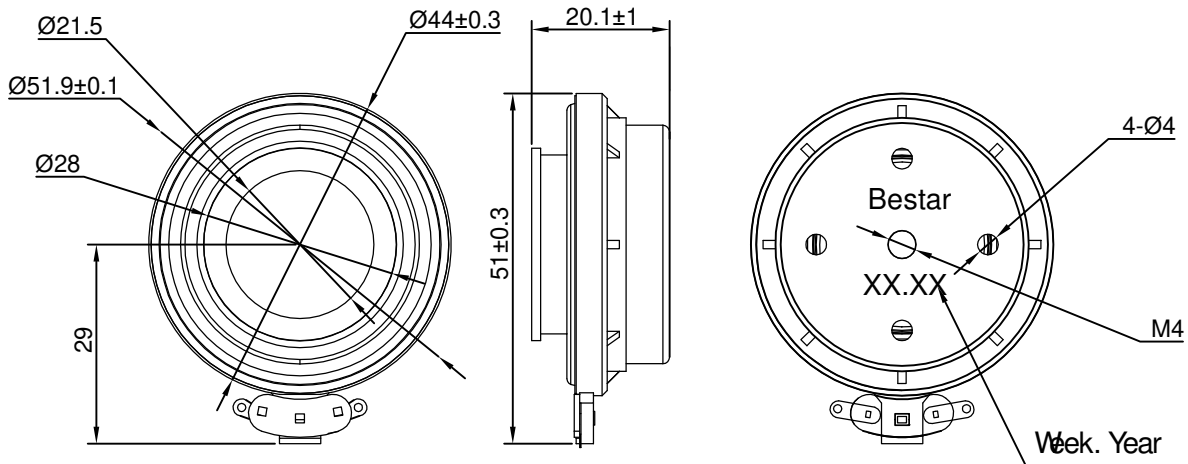
				Date:	2020.02.21	BTD44-12-03H20.1LF
				Drawn by:	杨利平	
A0	2020.02.21	杨利平		Checked by:	黄金	Speaker
Rev.	Date	Drawn	Note	Approved by:	张勇磊	
BESTAR Holdings Co., Ltd						DRG NO:BS/TES01.1142A0 Page:02 of 06
<a href="http://www.be-star.com">http://www.be-star.com</a> <a href="mailto:info@be-star.com">info@be-star.com</a>						

BTD44-12-03H20.1 LF

1.5 Impedance Response Curve (only for reference)



2.Drawing



unit: mm  
Tol: ±0.5mm

				Date:	2020.02.21	BTD44-12-03H20.1 LF
				Drawn by:	杨利平	
A0	2020.02.21	杨利平		Checked by:	黄金	Speaker
Rev.	Date	Drawn	Note	Approved by:	张勇磊	
BESTAR Holdings Co., Ltd						DRG NO:BS/TES01.1142A0
<a href="http://www.be-star.com">http://www.be-star.com</a> <a href="mailto:info@be-star.com">info@be-star.com</a>						Page:03 of 06

BTD44-12-03H20.1 LF

### 3. Reliability Test

3.1 Load Test	Power (Nom)	5.09W(white noise)
	Duration	96hrs
3.2 High Temperature Test	Temperature	+85±2°C
	Duration	96hrs
3.3 Low Temperature Test	Temperature	-40±2°C
	Duration	96hrs
3.4 Damp Heat	Temperature	40±2°C
	Relative Humidity	90%-95%RH
	Duration	96hrs
3.5 Drop Test	Height	75cm
	Drop face	free falling on concrete floor
	Times	10 times
3.6 Vibration Test	Frequency	30±15Hz
	Amplitude	1.5mm for 3hrs

**Notice:**

1. After test leave at room temperature for 1 hours, SPL shall not deviate by ±3dB from pre-test measurement, and meet above spec. item 5,6,7,8,9

This print and information there in are propriety to BESTAR Holdings Co., Ltd. and shall not be used in whole or in part without its written content

				Date:	2020.02.21	BTD44-12-03H20.1 LF
				Drawn by:	杨利平	
A0	2020.02.21	杨利平		Checked by:	黄金	Speaker
Rev.	Date	Drawn	Note	Approved by:	张勇磊	
BESTAR Holdings Co., Ltd						DRG NO:BS/TES01.1142A0
<a href="http://www.be-star.com">http://www.be-star.com</a> <a href="mailto:info@be-star.com">info@be-star.com</a>						Page:04 of 06

BTD44-12-03H20.1 LF

4. Packing

**T B D**

This print and information there in are propriety to BESTAR Holdings Co., Ltd. and shall not be used in whole or in part without its written content

				Date:	2020.02.21	BTD44-12-03H20.1 LF	
				Drawn by:	杨利平		
A0	2020.02.21	杨利平		Checked by:	黄金	Speaker	
Rev.	Date	Drawn	Note	Approved by:	张勇磊		
BESTAR Holdings Co., Ltd						DRG NO:BS/TES01.1142A0	Page:05 of 06
<a href="http://www.be-star.com">http://www.be-star.com</a> <a href="mailto:info@be-star.com">info@be-star.com</a>							

