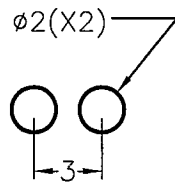
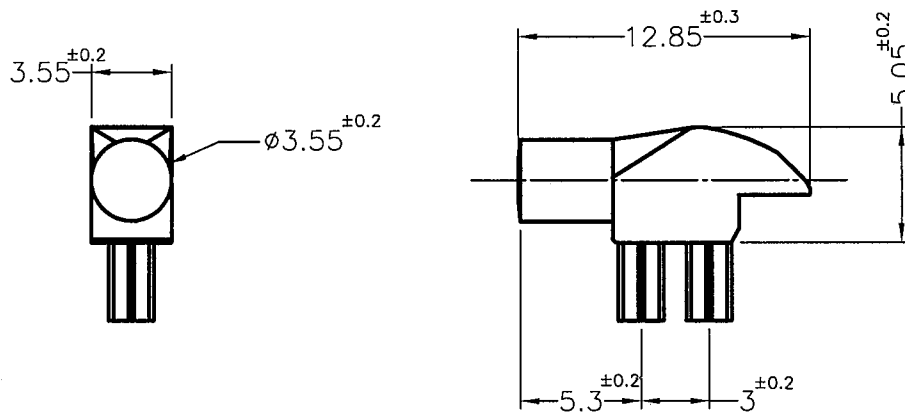
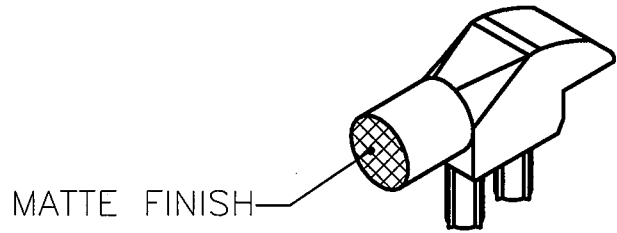



REVISIONS			
REV	DESCRIPTION	DATE	BY



MOUNTING HOLE

NOTE:MADE OF EQUIVALENT MATERIAL.
均可使用同等材質.

 <p>康揚企業股份有限公司 KANG YANG HARDWARE ENTERPRISE CO., LTD. 康揚塑膠(東莞)有限公司 KANG YANG PLASTIC(DONG GUAN)CO.,LTD. 康哲電腦配件(吳江)有限公司 KANG CHE COMPUTER COMPONENTS(WUJIANG) CO.,LTD.</p>		TITLE	LIGHT PIPE	SPEC. DWG	
		MATERIAL	PC UL94V-2	DATE	2015.02.11
		FINISH		DRAWN	T.C
		COLOR	TRANSPARENT	CHECK	李柏睿
PART NUMBER	LEM-195	DRAWING NUMBER	LEM-195	UNLESS OTHERWISE SPECIFIED TOLERANCE	SEE ABOVE
SIZE	A4	SCALE	3:1	UNIT	mm
		REV	A	APPROVED	