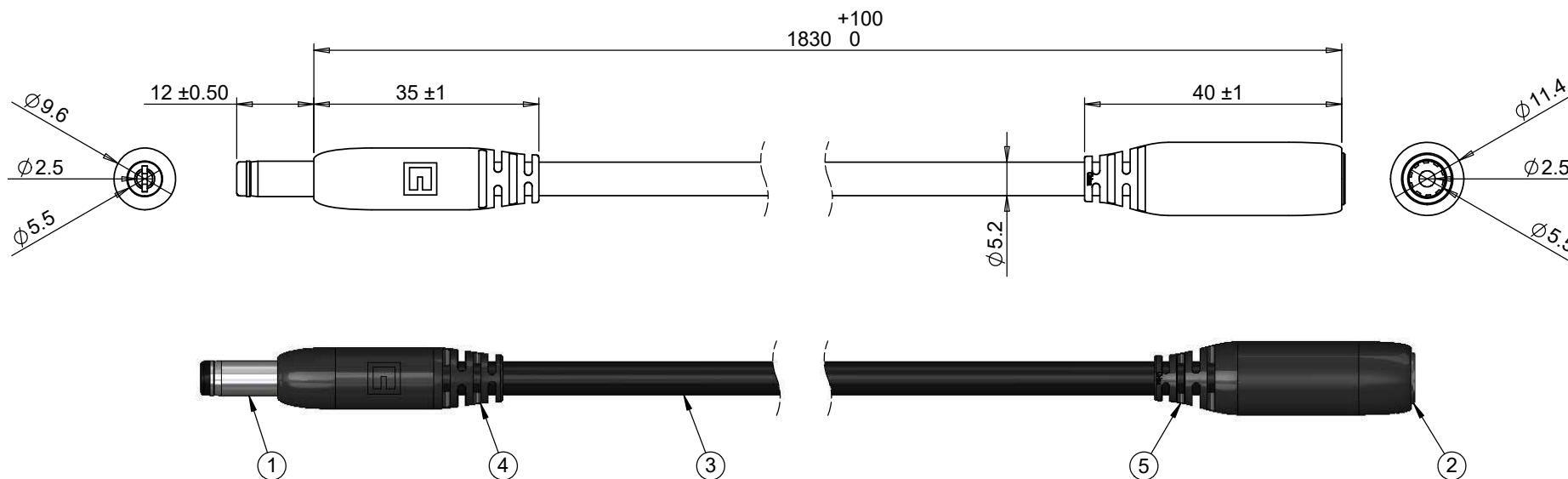


| ITEM NO. | PART NUMBER | DESCRIPTION | QTY. | COMPONENT NOTES |
|----------|-------------|--|------|-----------------|
| 1 | 50-00026 | Connector, dc plug, 5.5x2.5xL23 mm, molding style, spring contacts | 1 | |
| 2 | 50-00027 | Connector, dc jack, 5.5x2.5xL17.4 mm, molding style | 1 | |
| 3 | 30-00683 | Wire, 2C TS, 18 AWG, UL2464, 300V, 80C, 5.2 mm, VW-1, PVC | 1 | |
| 4 | 24-00182 | Overmold, dc plug, 5.5 mm, Tensility | 1 | black |
| 5 | 24-00183 | Overmold, dc jack, 5.5 mm, Tensility | 1 | black |



Notes:
Functionally equivalent components may be substituted

Electrical requirements: 7 A, 12 Vdc

| Wiring Diagram | | |
|----------------|------------|----------|
| 50-00026 | wire color | 50-00027 |
| center | red | center |
| sleeve | black | sleeve |

| | | | | | |
|-----------|-----------|-----------------|--|--|--|
| Revision: | Date: | Description: | Prepared: | Notes: | <h1>TENSILITY</h1> <p>tel 1.541.323.3228 800 877.670.7118 fax 1.541.323.4202 web tensility.com</p> |
| A | 9/13/2016 | Initial release | DN <small>Digitally signed by DN Date: 2017.01.30 13:55:13 -08'00'</small> | | |
| | | | Verified: | Function test: no open, no short circuit, no intermittent | Size: Part number: A 10-02234 |
| | | | PS <small>Digitally signed by PS Date: 2017.01.30 15:29:34 -08'00'</small> | | |
| | | | Dimensions are in millimeters. Tolerances: X: ± 0.5 mm X.X: ± 0.3 mm X.XX: ± 0.05 mm | Description: | Scale: 1:1 |
| | | | | Cable, 1830 mm, 5.5x2.5x12mm 50-00026 plug to 5.5x2.5mm 50-00027 jack, 18 AWG, 30-00683 wire | Sheet 1 of 1 |