

THIS DRAWING IS UNPUBLISHED.

RELEASED FOR PUBLICATION

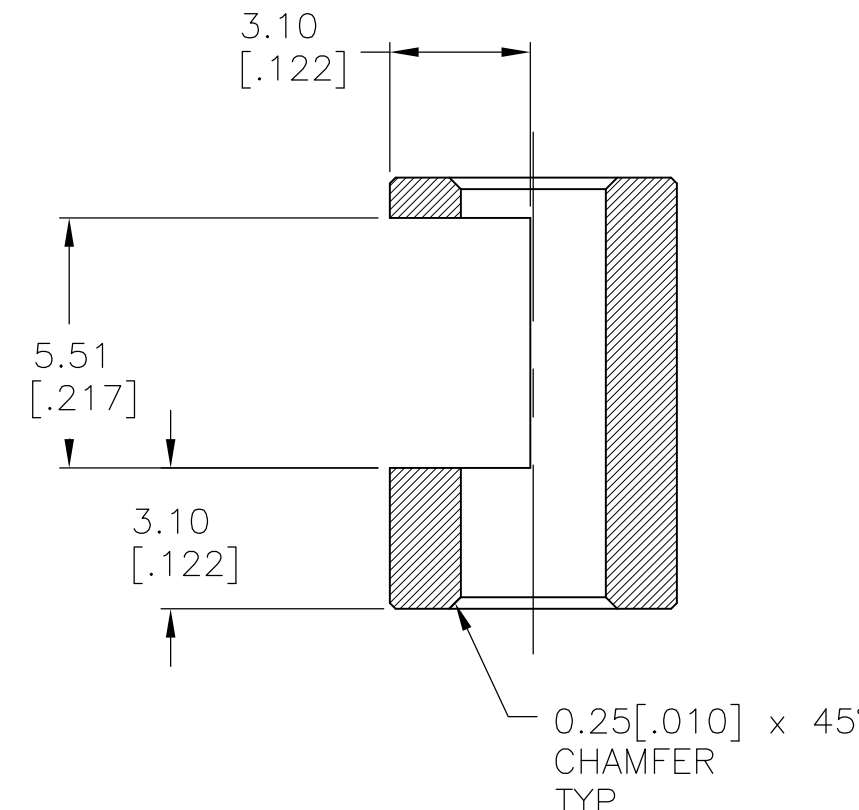
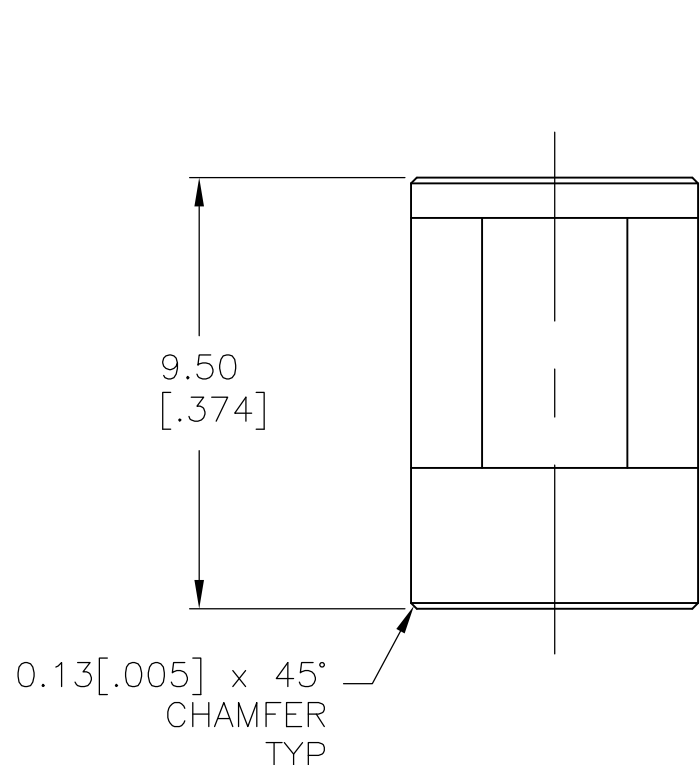
© COPYRIGHT - By -

ALL RIGHTS RESERVED.

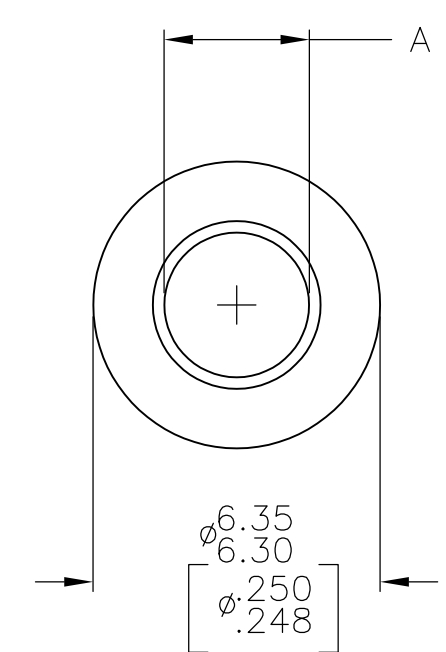
LOC AD DIST 00

REVISIONS

P	LTR	DESCRIPTION	DATE	DWN	APVD
	A1	REVISED PER ECO-11-004917	11MAR11	RK	HMR



- △ 1 BRASS
- △ 2 NICKEL PLATE ELECTRODEPOSITED



4.09 ^{+0.08} _{-0.0} [.161 ^{+0.003} _{-.000}]	△ 2	△ 1	KR-304	1825620-3
4.83 ^{+0.08} _{-0.0} [.190 ^{+0.003} _{-.000}]	△ 2	△ 1	KR-204	1825620-2
3.20 ^{+0.08} _{-0.0} [.126 ^{+0.003} _{-.000}]	△ 2	△ 1	KR-104	1825620-1
A	FINISH	MATERIAL	ALCO P/N	P/N

THIS DRAWING IS A CONTROLLED DOCUMENT.		DWN M.BINNER 18OCT2007	STE TE Connectivity		
DIMENSIONS: mm [INCHES]		CHK M.WILBOURN 18OCT07			
TOLERANCES UNLESS OTHERWISE SPECIFIED:		APVD M.WILBOURN 18OCT07	NAME SHAFT ADAPTER		
<ul style="list-style-type: none"> 0 PLC ± - 1 PLC ± - 2 PLC ± 0.13 [.005] 3 PLC ± - 4 PLC ± - ANGLES ± 5° 		PRODUCT SPEC	RESTRICTED TO		
MATERIAL SEE TABLE		APPLICATION SPEC	SIZE A3	CAGE CODE 00779	DRAWING NO C-1825620
FINISH SEE TABLE		WEIGHT -	SCALE 8:1		SHEET 1 OF 1
CUSTOMER DRAWING			REV A1		