

PART NAME: KNOB

SCALE: 1:1

DATE: 7/20/72

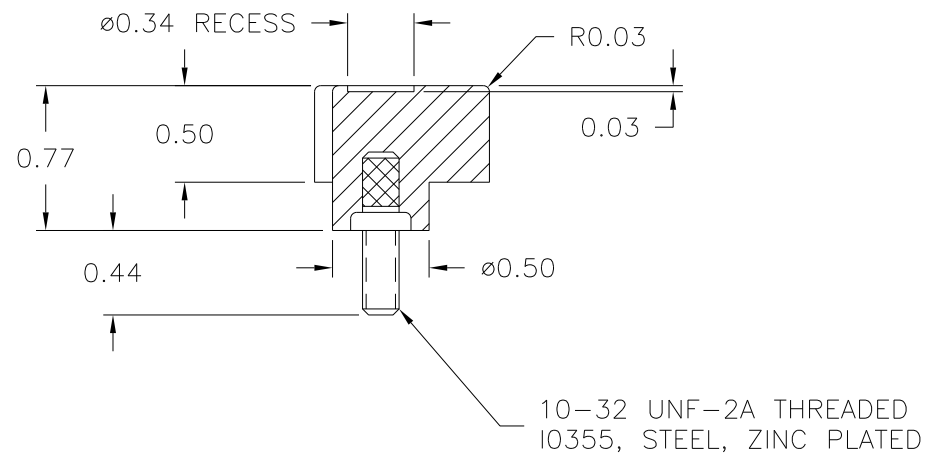
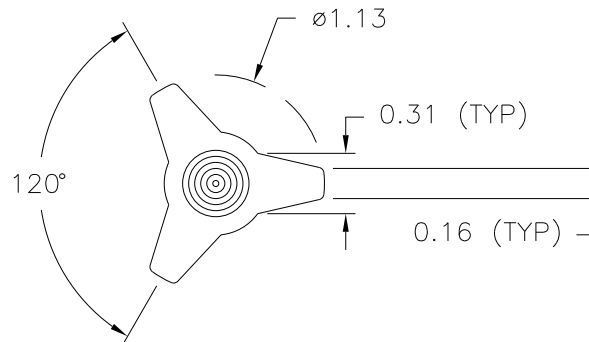
DR. BY NH


 DESIGNERS & MANUFACTURERS
 OF KNOBS, HANDLES, CASES &
 CUSTOM PLASTIC COMPONENTS

P/N 3025BA

 THIS DRAWING IS THE PROPERTY OF DAVIES MOLDING COMPANY, IS SUBMITTED SOLELY AS A DESIGN OR ENGINEERING PROJECT.
 WE ACCEPT NO RESPONSIBILITY WHATSOEVER FOR THE PRACTICAL APPLICATION OF THE PIECES MADE TO THIS DESIGN.
M^{NO.} 3025

CAVITY	3025
PLUNGER	3025
PLUNGER PIN	3025-A
PINS	3025
SHIMS	1/4 + 1/8
INSERT	I0355


 MATERIAL: G.P. PHENOLIC (B11)
 COLOR: BLACK

TOLERANCES: UNLESS OTHERWISE SPECIFIED	DO NOT SCALE DRAWING			
DECIMALS: X.XXX ± .005 X.XX ± .015	MM: X.XX ± 0.15MM X.X ± 0.4MM	-	RE-DID REDRAW	TL 11/16/99
FRACTIONS ± 1/64	ANG. ± 1°	-	CAD REDRAW	HD 9/22/97
CHANGES				