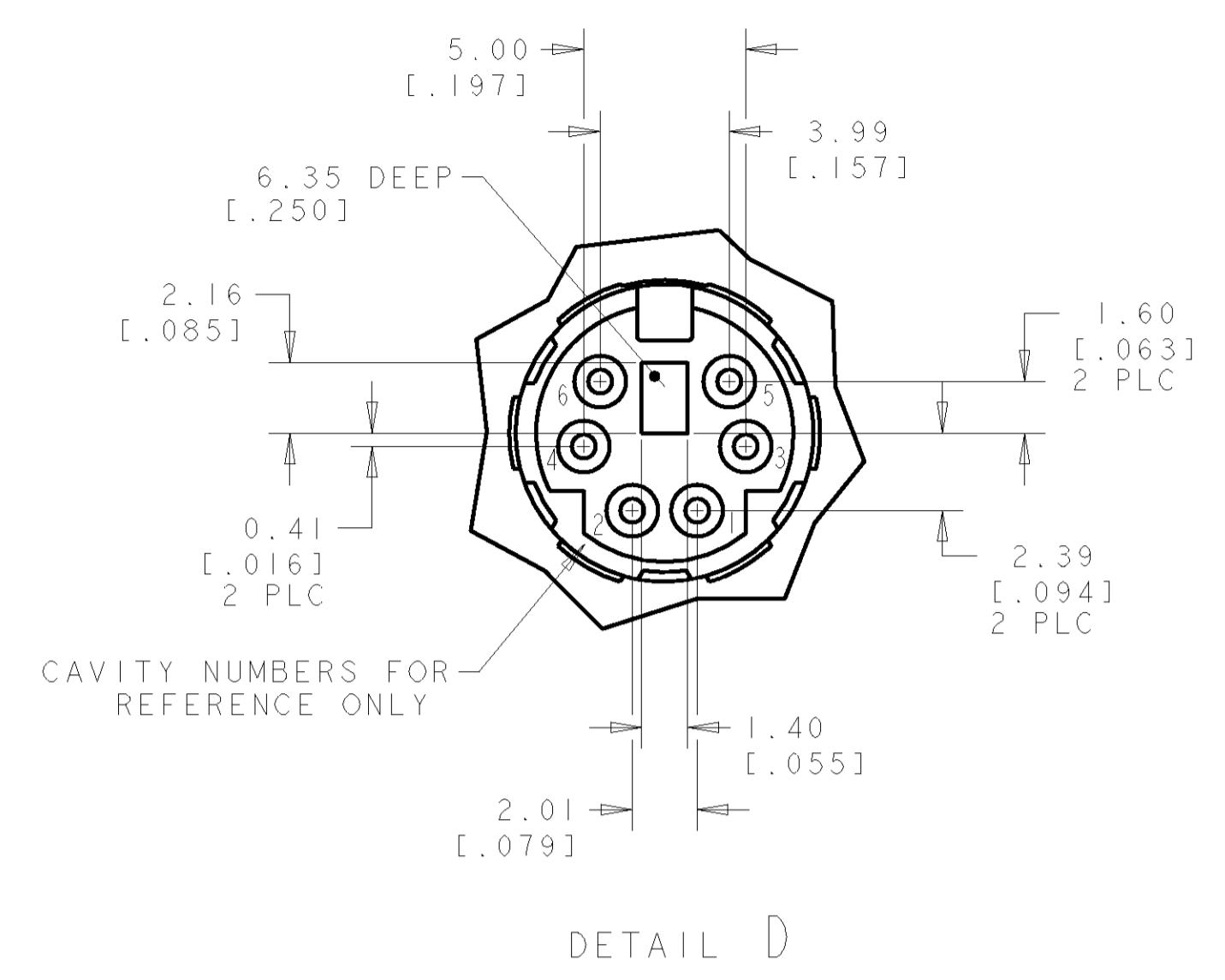
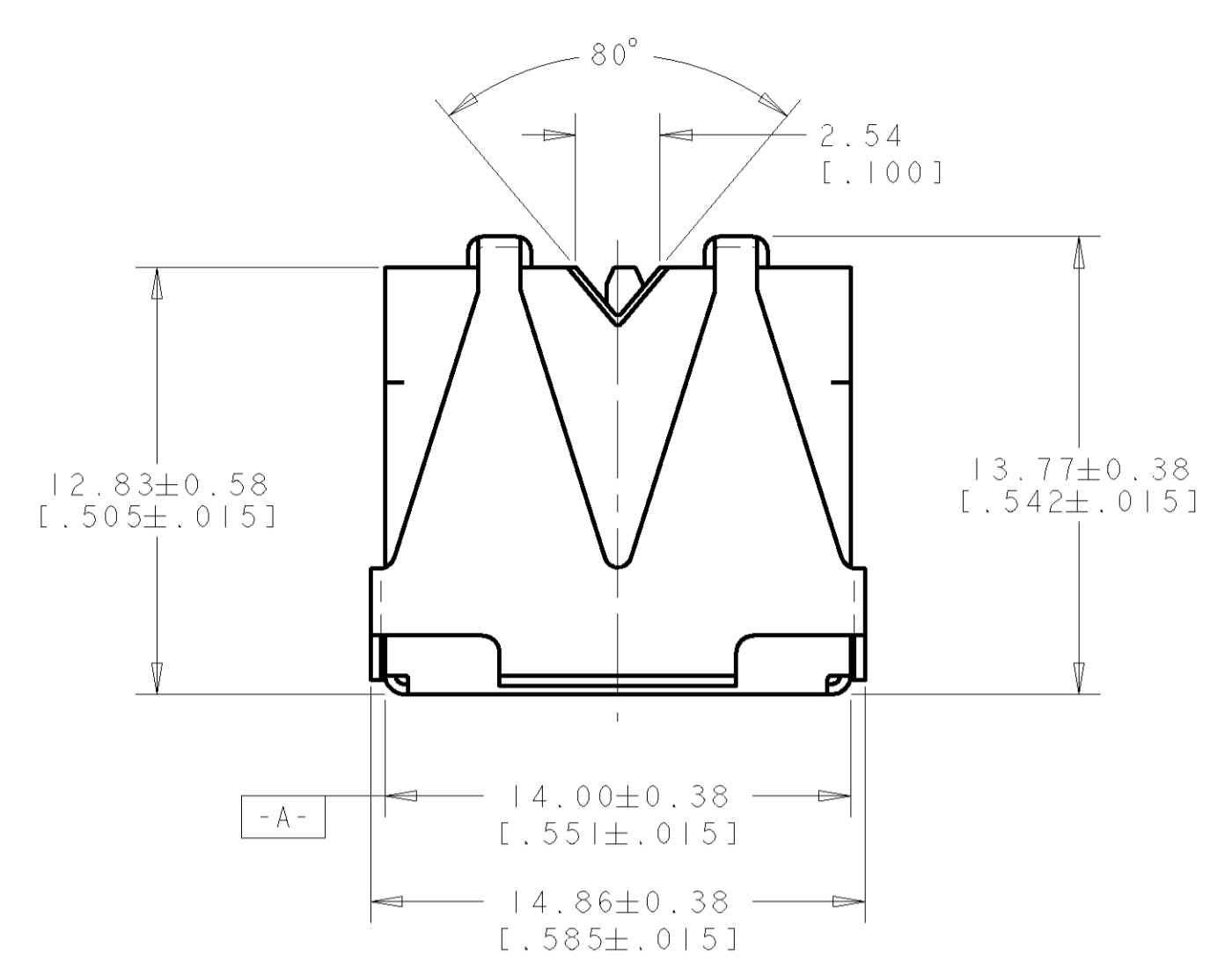
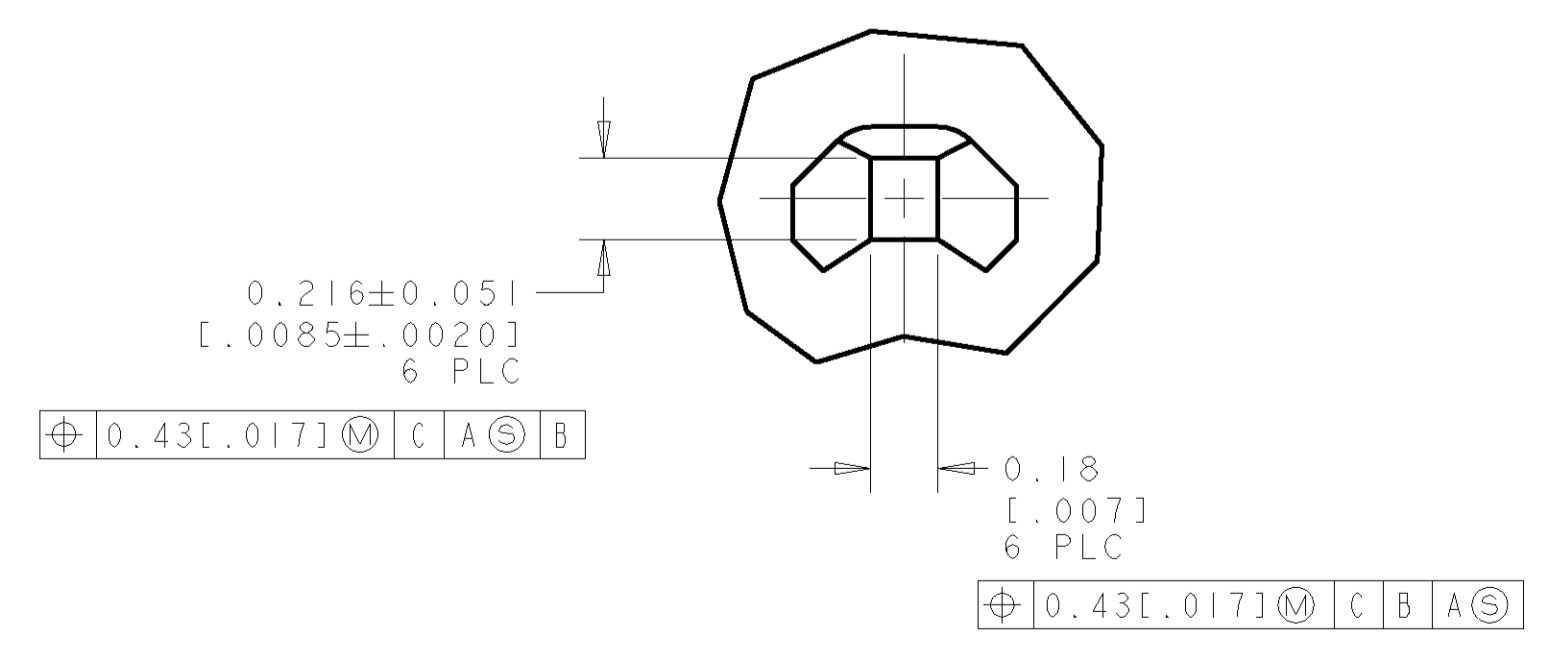
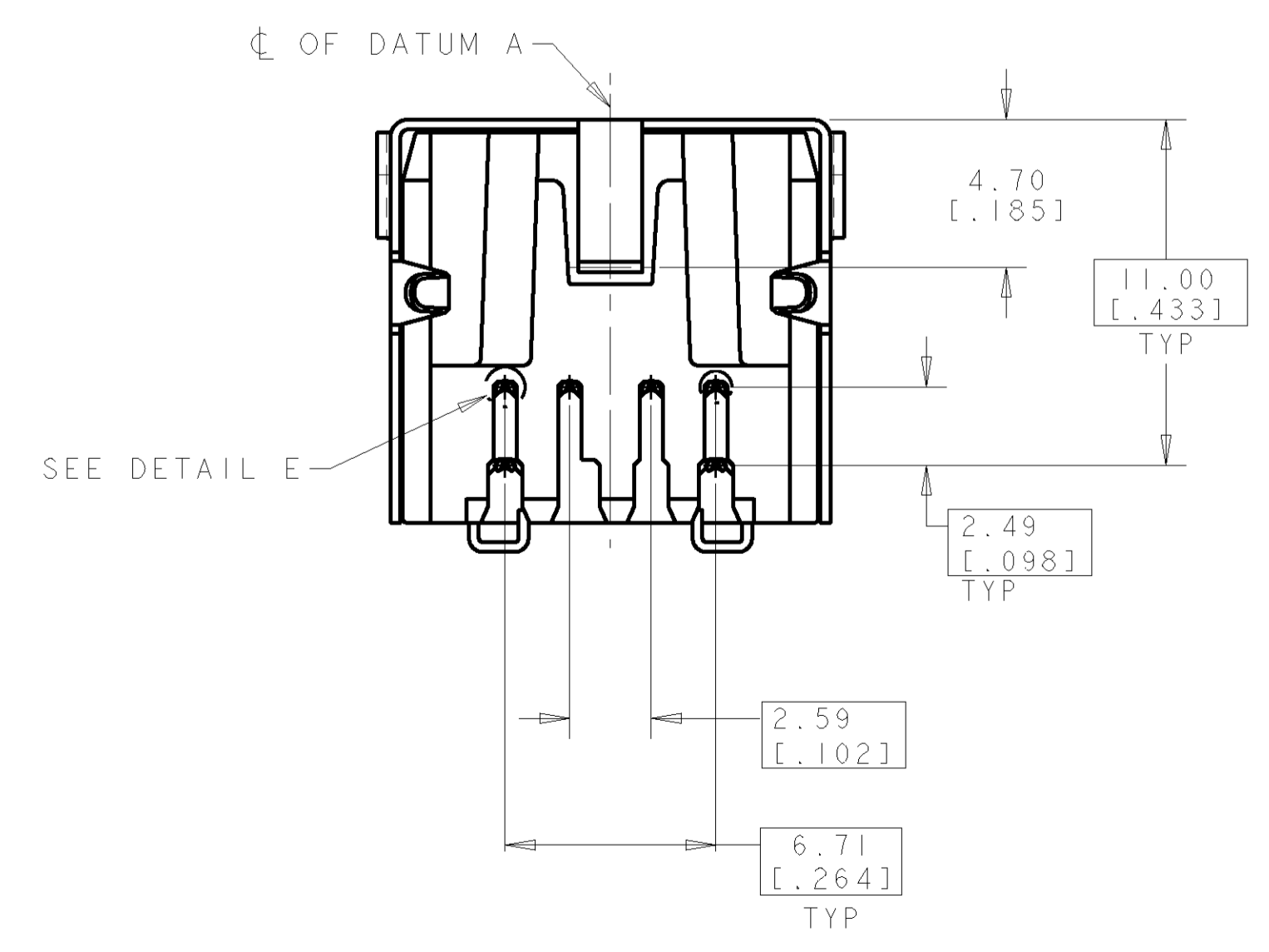
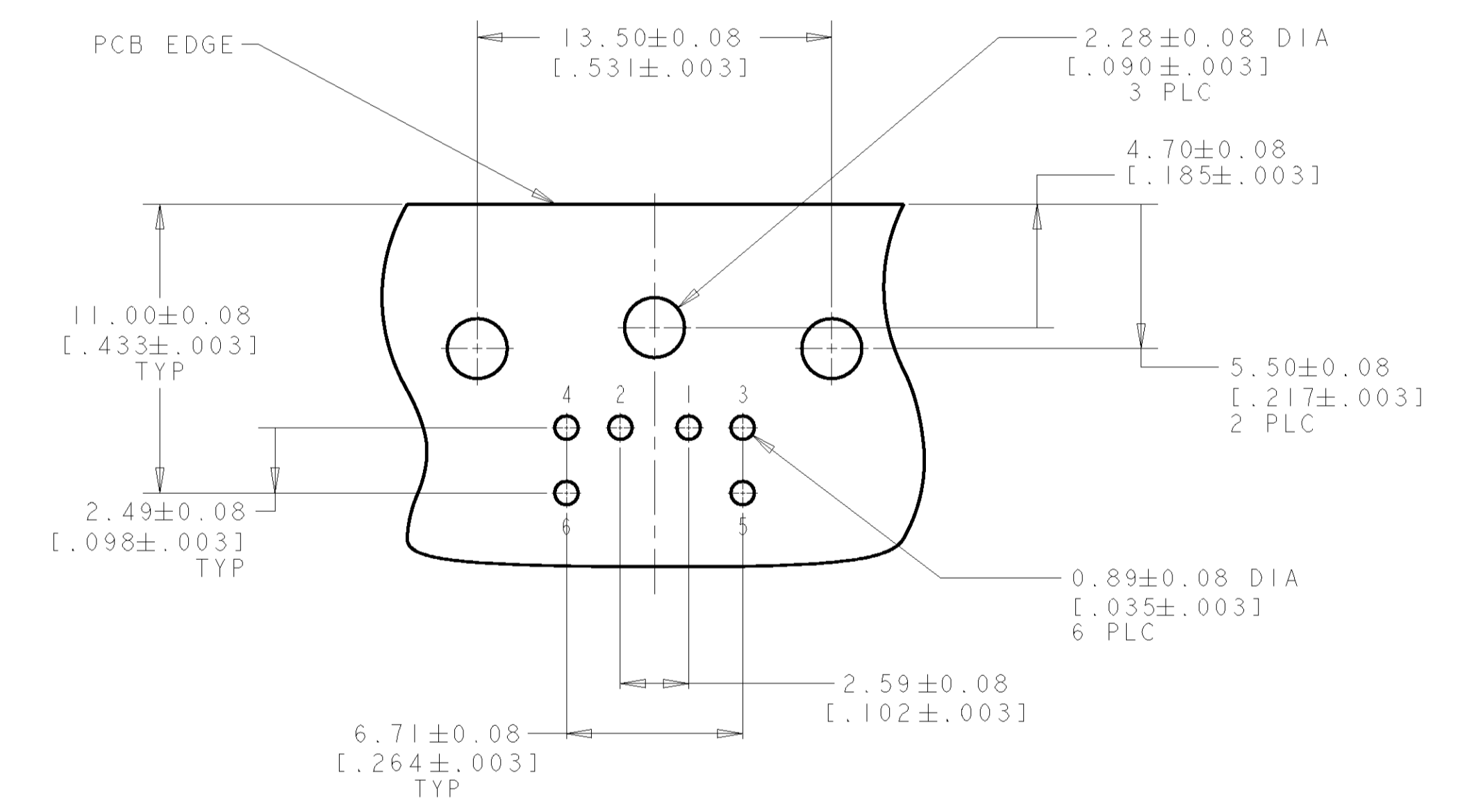
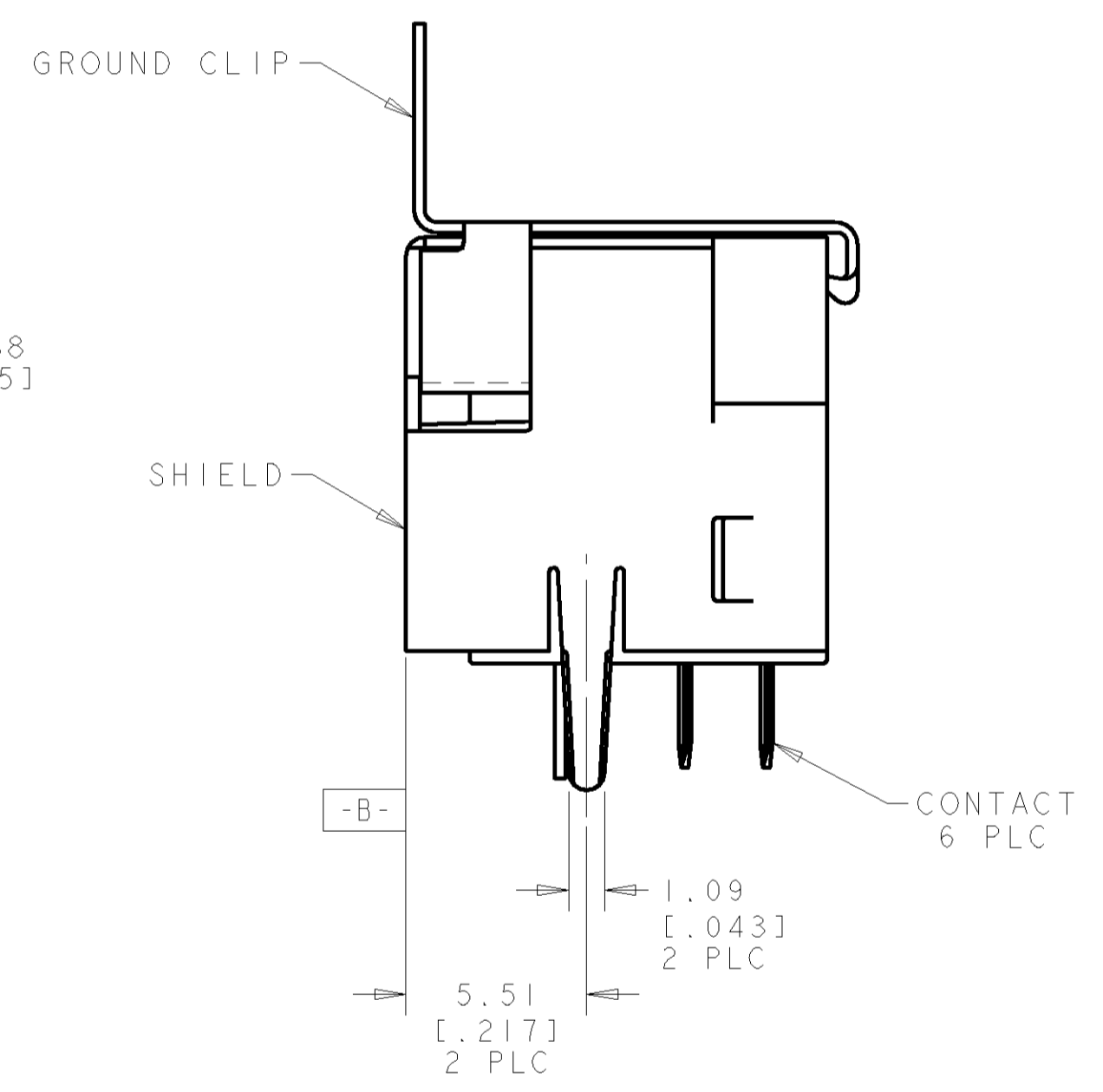
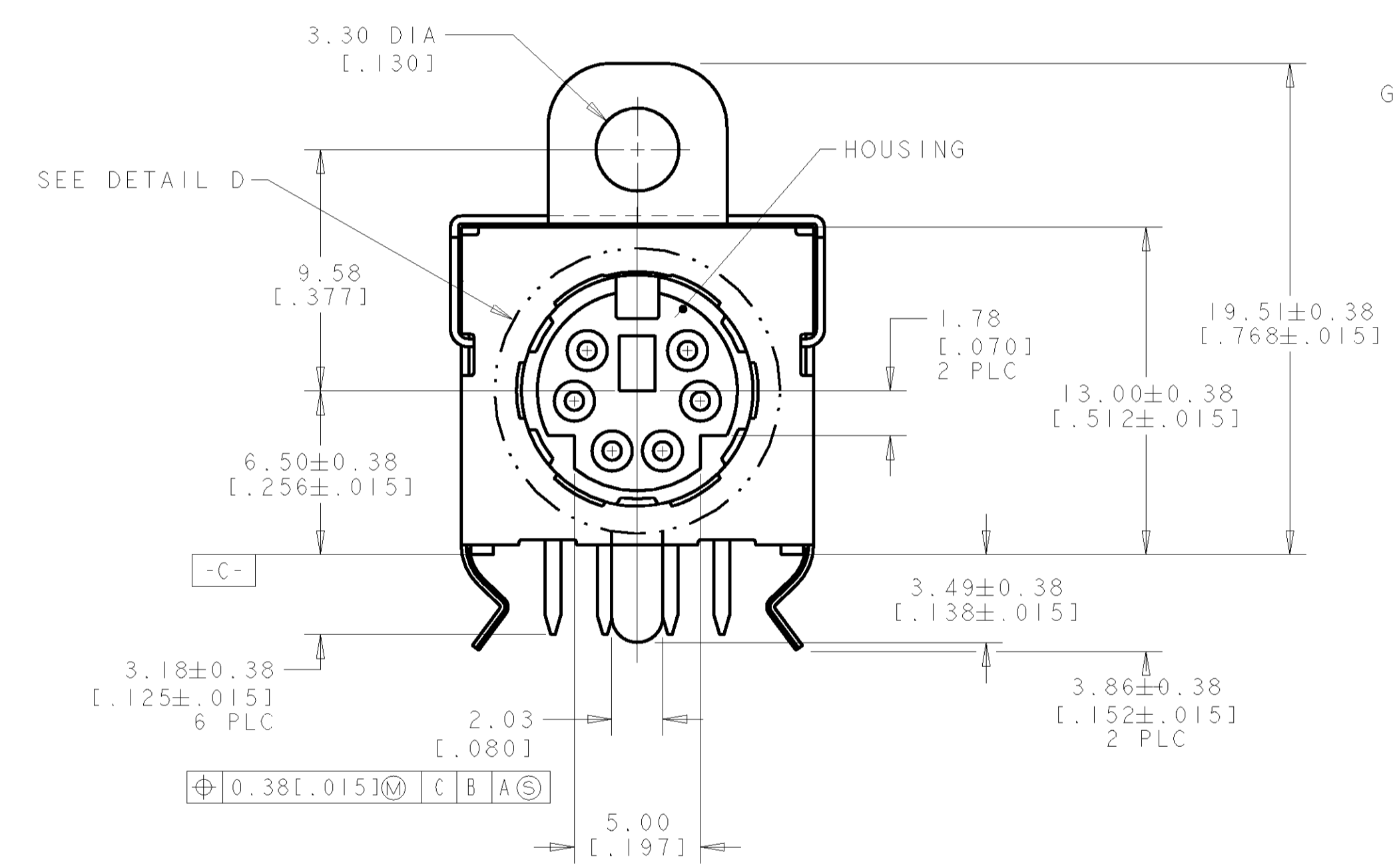


LOC		DIST		REVISONS			
REV	DATE	BY	CHKD	DESCRIPTION	DATE	DWN	APPR
0				NPR FP00-0340-04	5JAN05	LWY	LSF



- NOTES:
- 1 HOUSING: THERMOPLASTIC, UL 94V-0 RATED, GRAY
  - 2 CONTACT & SHIELD: COPPER ALLOY
  - 3 CONTACT: 0.76um [0.00030] MIN GOLD FOR A LENGTH OF 1.52 [0.060] MIN FROM MATING END, 3.05um [0.00120] MIN MATTE-TIN ON OPPOSITE END, BOTH OVER 1.27um [0.00050] MIN NICKEL, ENTIRE CONTACT.
  - 4 SHIELD: PRE-TIN PLATED



DETAIL E  
SCALE 50:1

P/N: 5750725-1 AS SHOWN

<small>THIS DRAWING IS UNPUBLISHED. RELEASED FOR PUBLICATION BY AMP INCORPORATED. ALL RIGHTS RESERVED.</small>		DWG: WYLEE CHK: WYLEE APPD: SE LEONG	05JAN2005 NAME: RECEPTACLE ASSY, W/ HOLD DOWN, SPECIAL, 7 POS, RIGHT ANGLE, MINIATURE CIRCULAR DIN
DIMENSIONS: mm [INCHES]	TOLERANCES UNLESS OTHERWISE SPECIFIED: 0 PLC ± 1 PLC ±0.13 [0.005] 2 PLC ± 3 PLC ± 4 PLC ± 5 PLC ± 6 PLC ±	PRODUCT SPEC: 108-1225 APPLICATION SPEC: 114-40031	Tyco Electronics Singapore Pte. Ltd. SCALE: 5:1
MATERIAL:	FINISH:	WEIGHT: - CUSTOMER DRAWING	DRAWING NO: 5750725 SHEET 1 OF 1