



10 9 8 7 6 5 4 3 2 1

F

F

E

E

D

D

C

C

B

B

A

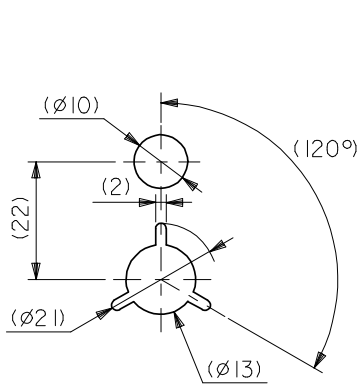
A

23.9	23.5	20.5	18.6	19.3	17.5	53398-1571	15
22.65	22.25	19.25	17.35	18.05	16.25	53398-1471	14
21.4	21	18	16.1	16.8	15	53398-1371	13
20.15	19.75	16.75	14.85	15.55	13.75	53398-1271	12
18.9	18.5	15.5	13.6	14.3	12.5	53398-1171	11
17.65	17.25	14.25	12.35	13.05	11.25	53398-1071	10
16.4	16	13	11.1	11.8	10	53398-0971	9
15.15	14.75	11.75	9.85	10.55	8.75	53398-0871	8
13.9	13.5	10.5	8.6	9.3	7.5	53398-0771	7
12.65	12.25	9.25	7.35	8.05	6.25	53398-0671	6
11.4	11	8	6.1	6.8	5	53398-0571	5
10.15	9.75	6.75	4.85	5.55	3.75	53398-0471	4
8.9	8.5	5.5	3.6	4.3	2.5	53398-0371	3
7.65	7.25	4.25	2.35	3.05	1.25	53398-0271	2
F	E	D	C	B	A	EMBOSSED TAPE PKG. (HIGH BARRIER PKG.) ORDER No.	種数 No. of &T's.

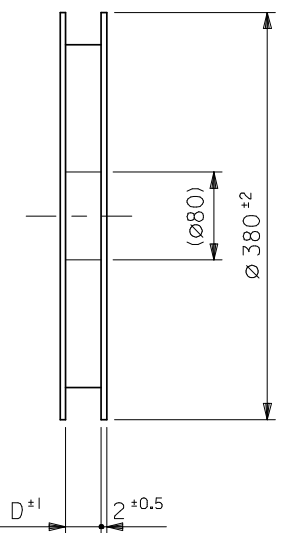
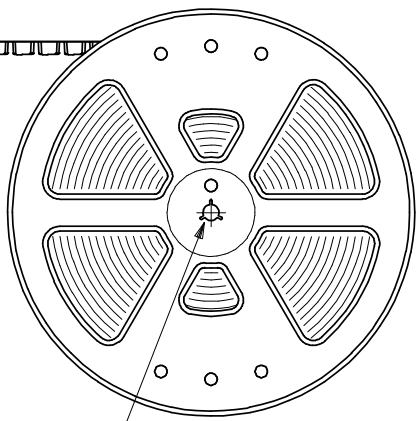
CONNECTOR SERIES NO. 53398-\*\*\*19

REVISED EC NO: J2010-0213 DRWN:TKON 2009/09/25 CHKD:NUKITA 2009/09/25 APPR:NUKITA 2009/09/28	GENERAL TOLERANCES (UNLESS SPECIFIED)		DIMENSION STYLE <b>MM ONLY</b>	SCALE ---	DESIGN UNITS <b>METRIC</b>	THIRD ANGLE PROJECTION	
	10 UNDER	±0.2	DRAWN BY MNINOMIYA	DATE 04/02/06	TITLE 1.25 W/B CONN. ASS'Y FOR SMT(ST.) -LEAD FREE-		
	10 OVER 30 UNDER	±0.25	CHECKED BY KTOJO	DATE 04/02/06	MOLEX INCORPORATED		
	30 OVER	±0.3	APPROVED BY MSASAO	DATE 04/02/06	MATERIAL NO. <b>SEE TABLE</b>	DOCUMENT NO. SD-53398-032	SHEET NO. 2 OF 2
	ANGULAR ±3 °		DRAFT WHERE APPLICABLE MUST REMAIN WITHIN DIMENSIONS		THIS DRAWING CONTAINS INFORMATION THAT IS PROPRIETARY TO MOLEX INCORPORATED AND SHOULD NOT BE USED WITHOUT WRITTEN PERMISSION		

引き出し方向  
PULL OUT DIRECTION

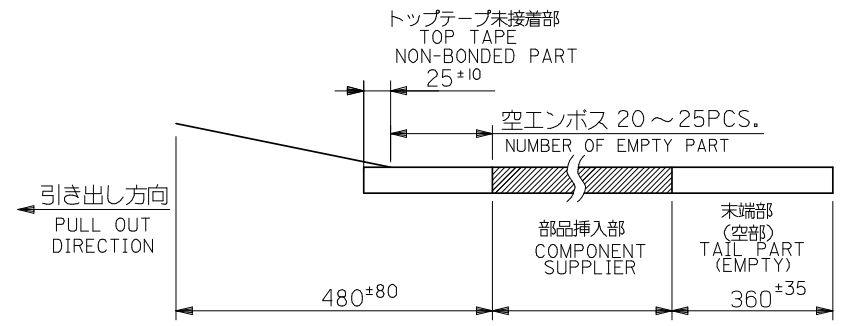


DETAIL "F"

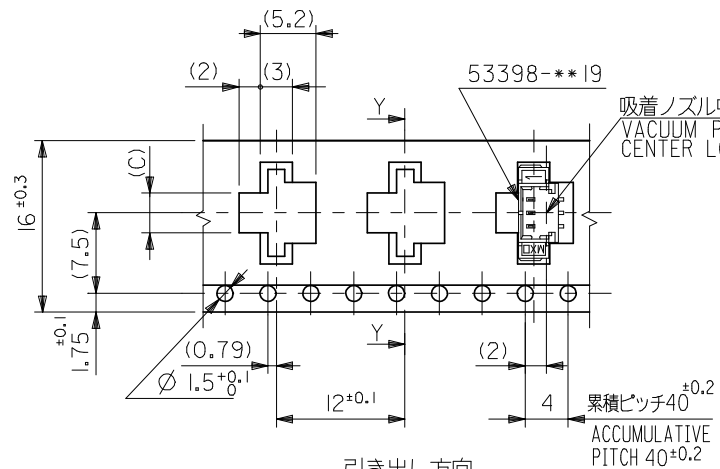


NOTES

- 梱包数量：1000個/リール  
NUMBER OF CONNECTOR:1000PCS/REEL
- リードテープ長さ  
LEAD TAPE LENGTH

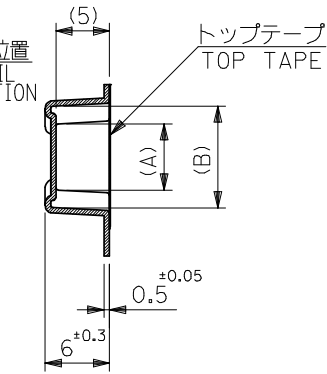


- 製品詳細寸法は製品単体図面を参照して下さい。  
RE DETAILED DIMENSIONS,SEE PRODUCT DRAWING.
- 材料 (MATERIAL)  
キャリアテープ (CARRIER TAPE):ポリプロピレン (POLYPROPYLENE)  
トップテープ (TOP TAPE): PET ,PE ,PEF  
リール (REEL):ポリスチレン (PS) <リサイクル材含む>  
POLYSTYREN(PS) <RECYCLE MATERIAL CONTAINED>
- 本製品は53398-\*\*-71の梱包違い品、シリカゲル入りハイバリア仕様である。  
THIS PRODUCT IS HIGH BARRIER PACKAGE INCLUDING SILICAGEL INCLUDING SILICAGEL FOR 53398-\*\*-71.
- 開梱後の保管条件に注意のこと。(PS-51021-024参照)  
REFER TO PS-51021-024 FOR CONDITIONS AFTER OPEN.
- ELV AND RoHS COMPLIANT.



引き出し方向  
PULL OUT DIRECTION

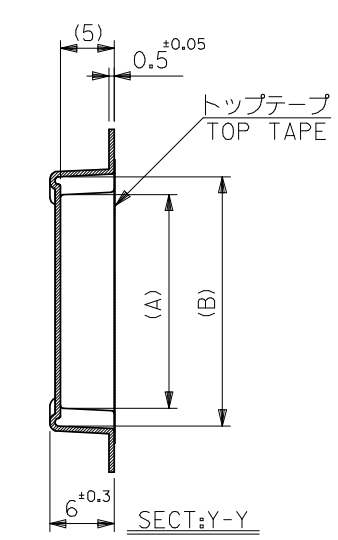
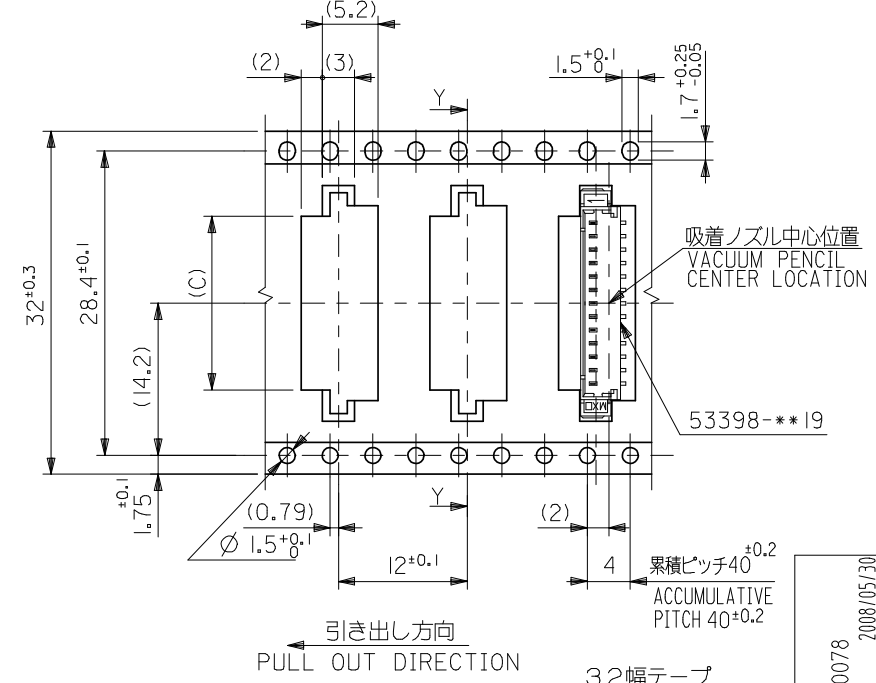
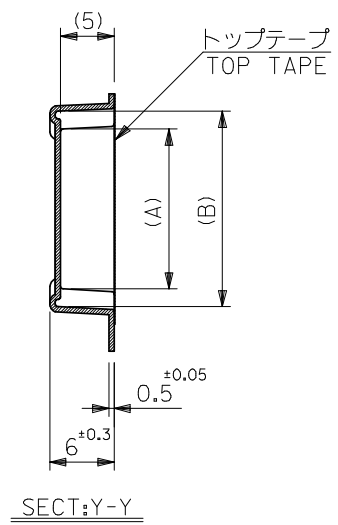
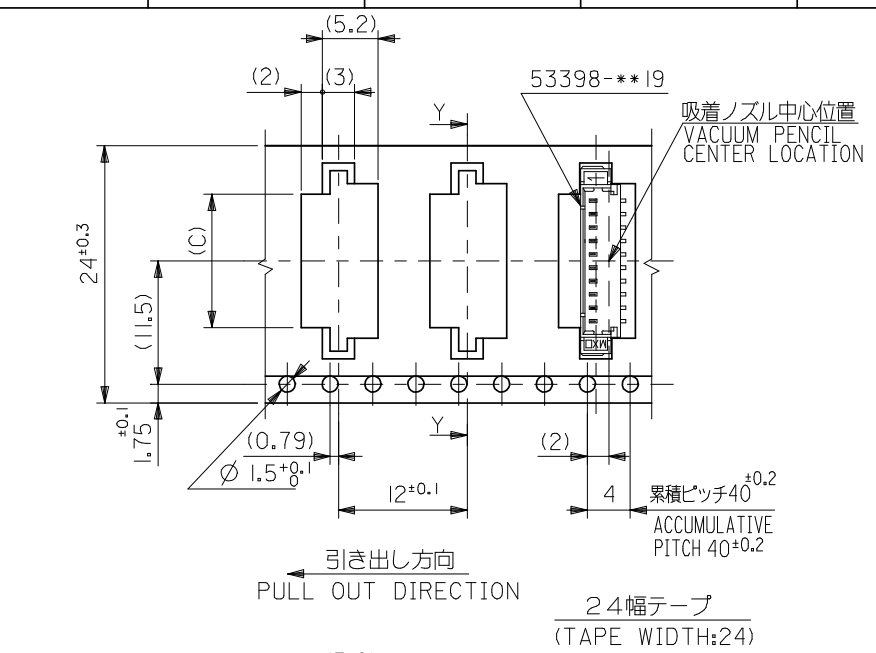
16幅テープ  
(TAPE WIDTH:16)



SECT:Y-Y

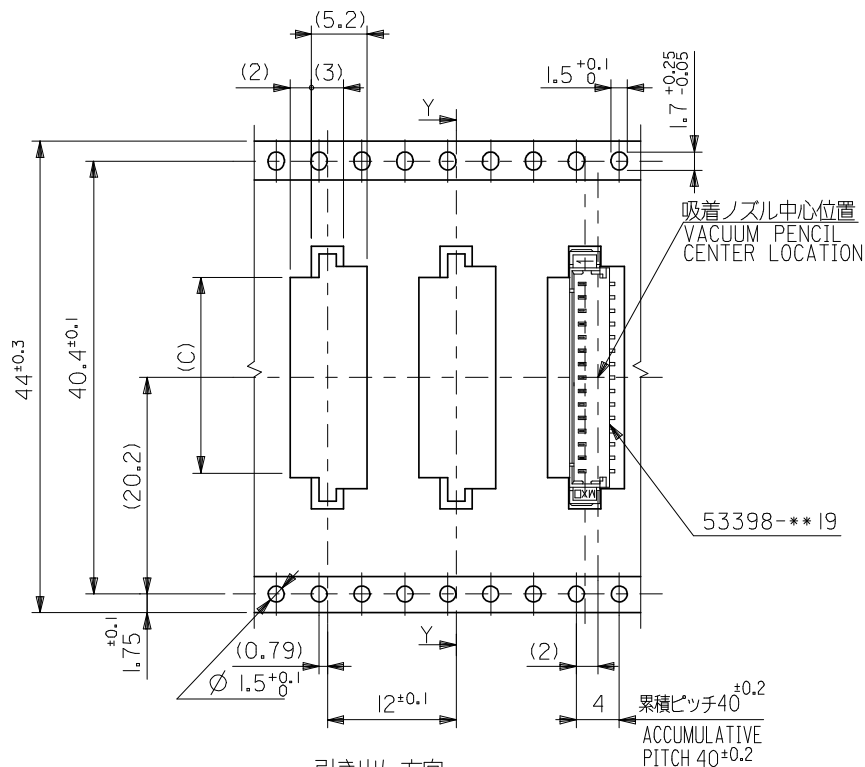
53398-**-84	MODEL NO.	16	21.4	17.4	3.7	9.5	5.8	53398-0384	3
		キャリアテープ幅 CARRIER TAPE WIDTH	E	D	(C)	(B)	(A)	53398-0284	2
								MATERIAL NO.	極数 CKT.

RELEASED EC NO: J2008-0078 DRW:KSAITO01 2008/05/30 CHK:HMATSUMOTO 2008/05/30 APPR:NUKITA 2008/05/30	DESCRIPTION	GENERAL TOLERANCES (UNLESS SPECIFIED)	DIMENSION STYLE	SCALE	DESIGN UNITS	THIRD ANGLE PROJECTION	
	REV	10 UNDER	MM ONLY	---	METRIC	◎ □	
		10 OVER 30 UNDER	± ---	DRAWN BY	DATE	TITLE	EMBOSSED TAPE PKG. FOR 53398-**-19 HIGH BARRIER PKG.
		30 OVER	± ---	CHECKED BY	DATE	MOLEX INCORPORATED	
		ANGULAR	± --- °	APPROVED BY	DATE		MATERIAL NO.
	DRAFT WHERE APPLICABLE MUST REMAIN WITHIN DIMENSIONS	SEE TABLE	N. UKITA 2008/05/29	2008/05/29	SD-53398-040	1 OF 3	



32	37.4	33.4	16.2	22	18.3	53398-1384	13		
			14.95	20.75	17.05	↑ -1284	12		
			13.7	19.5	15.8	-1184	11		
24	29.4	25.4	12.45	18.25	14.55	-1084	10		
			11.2	17	13.3	-0984	9		
			9.95	15.75	12.05	-0884	8		
			8.7	14.5	10.8	-0784	7		
			7.45	13.25	9.55	-0684	6		
			6.2	12	8.3	↓ -0584	5		
キャリアテープ幅 CARRIER TAPE WIDTH			E	D	(C)	(B)	(A)	53398-0484	4
53398-***84							MODEL NO.	極数 CKT.	

RELEASED EC NO: J2008-0078 DRW:KSAIT001 CH:KHMATSUMOTO APPR:NUKITA	2008/05/30 2008/05/30 2008/05/30	GENERAL TOLERANCES (UNLESS SPECIFIED)	DIMENSION STYLE MM ONLY	SCALE ---	DESIGN UNITS METRIC	THIRD ANGLE PROJECTION	
	10 UNDER ± ---	10 OVER 30 UNDER ± ---	30 OVER ± ---	DRAWN BY Y. AOYAGI	DATE 2008/05/29	TITLE EMBOSSED TAPE PKG. FOR 53398-***19 HIGH BARRIER PKG.	
	ANGULAR ± --- °		DRAFT WHERE APPLICABLE MUST REMAIN WITHIN DIMENSIONS	CHECKED BY H. MATSUMOTO	DATE 2008/05/29	MOLEX INCORPORATED	
	SEE TABLE			APPROVED BY N. UKITA	DATE 2008/05/29	DOCUMENT NO. SD-53398-040	SHEET NO. 2 OF 3
	THIS DRAWING CONTAINS INFORMATION THAT IS PROPRIETARY TO MOLEX INCORPORATED AND SHOULD NOT BE USED WITHOUT WRITTEN PERMISSION			MATERIAL NO.			



44幅テープ  
(TAPE WIDTH:44)

RELEASED	DESCRIPTION
EC NO: J2008-0078	2008/05/30
DRW:KSAIT001	2008/05/30
CHK:HMATSUMOTO	2008/05/30
APPR:NUKITA	2008/05/30
REV	
0	

GENERAL TOLERANCES (UNLESS SPECIFIED)	
10 UNDER	± ---
10 OVER 30 UNDER	± ---
30 OVER	± ---
ANGULAR	± --- °
DRAFT WHERE APPLICABLE MUST REMAIN WITHIN DIMENSIONS	

53398-***84	MODEL NO.	44	49.4	45.4	18.7	24.5	20.8	53398-1584	15
キャリアテープ幅	CARRIER TAPE WIDTH	E	D	(C)	(B)	(A)	MATERIAL NO.	極数	14
DIMENSION STYLE		SCALE		DESIGN UNITS		THIRD ANGLE PROJECTION			
MM ONLY		---		METRIC					
DRAWN BY DATE		TITLE							
Y. AOYAGI 2008/05/29		EMBOSSD TAPE PKG. FOR 53398-***19 HIGH BARRIER PKG.							
CHECKED BY DATE		MOLEX INCORPORATED							
H. MATSUMOTO 2008/05/29									
APPROVED BY DATE		DOCUMENT NO.		SHEET NO.					
N. UKITA 2008/05/29		SD-53398-040		3 OF 3					
MATERIAL NO.		SEE TABLE							
SIZE		THIS DRAWING CONTAINS INFORMATION THAT IS PROPRIETARY TO MOLEX INCORPORATED AND SHOULD NOT BE USED WITHOUT WRITTEN PERMISSION							
A3									