

FACE VIEW - FEMALE INSERT

| 3 POLE | 4 POLE | 5 POLE |
|--|---|---|
| | | |
| 1 BROWN 2 NOT USED 3 BLUE 4 BLACK 5 NOT USED | 1 BROWN 2 WHITE 3 BLUE 4 BLACK 5 NOT USED | 1 BROWN 2 WHITE 3 BLUE 4 BLACK 5 GRAY |

NOTES:

- MATERIAL: AS NOTED
- FINISH: AS NOTED
- ELECTRICAL:
VOLTAGE: 250V
CURRENT: 4A
- TEMP RATING: -20° TO +105°C (B)
- PROTECTION: IP67 (WHEN MATED)
- COUPLING THREAD: M12X1
- UL RECOGNIZED FILE: E152210
CSA CERTIFIED FILE: LR6837
- ALL DIMENSIONS ARE FOR REFERENCE
UNLESS TOLERANCED OR NOTED OTHERWISE

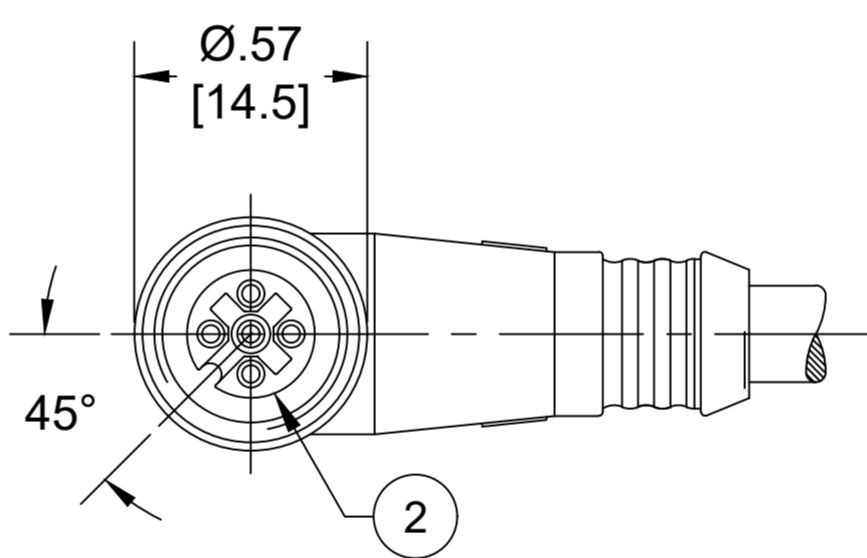
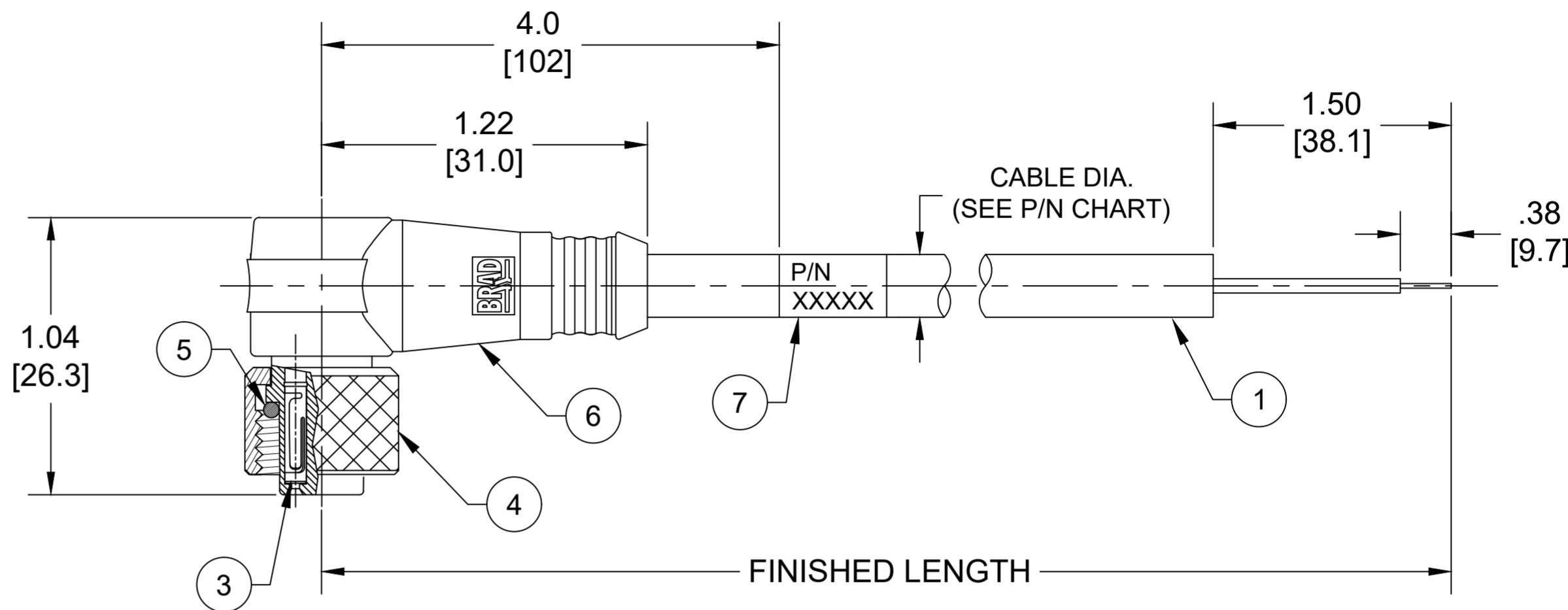
CABLE FLEX CHARACTERISTICS

| | |
|----------------------|------------------------------------|
| TORSIONAL FLEX TEST | 10 MILLION CYCLES PER MIL-C-13777G |
| BEND FLEX TEST | 10 MILLION CYCLES PER MIL-C-13777G |
| WELD SLAG RESISTANCE | WOODHEAD STANDARD S-300 |

| ITEM | DESCRIPTION | MATERIAL | FINISH |
|------|----------------|--------------|------------------|
| 7 | WRAP LABEL | VINYL | BLACK/YELLOW |
| 6 | OVERMOLD | TPC | YELLOW |
| 5 | O-RING | VITON | RED |
| 4 | COUPLING NUT | BRASS | NICKEL PLATED |
| 3 | CONTACT SOCKET | COPPER ALLOY | GOLD OVER NICKEL |
| 2 | FEMALE INSERT | PUR | BLACK |
| 1 | #22 AWG CABLE | TPE JACKET | YELLOW |

DOCUMENT STATUS P1 RELEASE DATE 2021/07/28 23:37:19

| PART NO | ENGINEERING NO. | FINISHED LENGTH | POLES | CABLE DIA. |
|------------|-----------------|-----------------|-------|------------|
| 1200651489 | 803001K05M020 | 2M [6FT 7 IN] | 3 | .20 [5.1] |
| 1200651995 | 804001K05M250 | 25M [82FT] | 4 | .21 [5.3] |
| 1200652460 | 805001K05M300 | 30M [98FT 5 IN] | 5 | .23 [5.8] |



PART NO. MATRIX
803001K05M010

POLES (3, 4 & 5)
FINISHED LENGTH
M005 = 0.5 METER
M010 = 1 METER
M100 = 10 METER

CABLE LENGTH TOLERANCES

| | |
|--------------------------|-------------------------|
| <.3M [1FT]: | +19mm-0 [+1.75in-0] |
| .3 - .9M [1 - 3FT]: | +44.5mm-0 [+1.75in-0] |
| .9 - 1.8M [3 - 6FT]: | +55.6mm-0 [+2.19in-0] |
| 1.8 - 3.7M [6 - 12FT]: | +88.9mm-0 [+3.50in-0] |
| 3.7 - 7.3M [12 - 24FT]: | +165.1mm-0 [+6.50in-0] |
| 7.3-14.6M [24 - 48FT]: | +317.5mm-0 [+12.50in-0] |
| 14.6 - 30.5M [48-100FT]: | +622.3mm-0 [+24.50in-0] |
| OVER 30M [100FT]: | +2% OF FINISHED LENGTH |

| | | | | |
|--|---------------------------------------|---------------------------|---|------------------------------|
| FUNCTIONAL SYMBOLS FA=0 FC=0 FP=0 | DIMENSION UNITS INCH/MM | SCALE NTS | CURRENT REV DESC: ITEM #6 WAS TPE. MODIFIED TEMP RATING & PN CHART. | |
| | GENERAL TOLERANCES (UNLESS SPECIFIED) | | EC NO: 671333 | DRWN: ABENJAMINLW 2021/04/27 |
| DIVISIONAL SYMBOLS | 4 PLACES ±---- | ±---- | CHK'D: RSTONE 2021/07/23 | APPR: BWOODMAN 2021/07/28 |
| | 3 PLACES ±---- | ±---- | INITIAL REVISION: | |
| 2 PLACES ±---- | ±---- | DRWN: RSTONE 2018/10/25 | DOCUMENT NUMBER SD-120065-113 | |
| 1 PLACE ±---- | ±---- | APPR: BWOODMAN 2018/11/30 | DOC TYPE/DOC PART REVISION PSD 001 B | SHEET NUMBER 1 OF 1 |
| 0 PLACES ±---- | ±---- | ANGULAR TOL ± ---- ° | MATERIAL NUMBER SEE CHART | CUSTOMER GENERAL MARKET |
| DRAFT WHERE APPLICABLE MUST REMAIN WITHIN DIMENSIONS | | THIRD ANGLE PROJECTION | DRAWING C-SIZE | SERIES 120065 |



MICRO-CHANGE CORDSET, M12,
3-5 POLE, FEMALE 90 DEG, SINGLE KEY,
#22AWG TPE HI-FLEX

PRODUCT CUSTOMER DRAWING