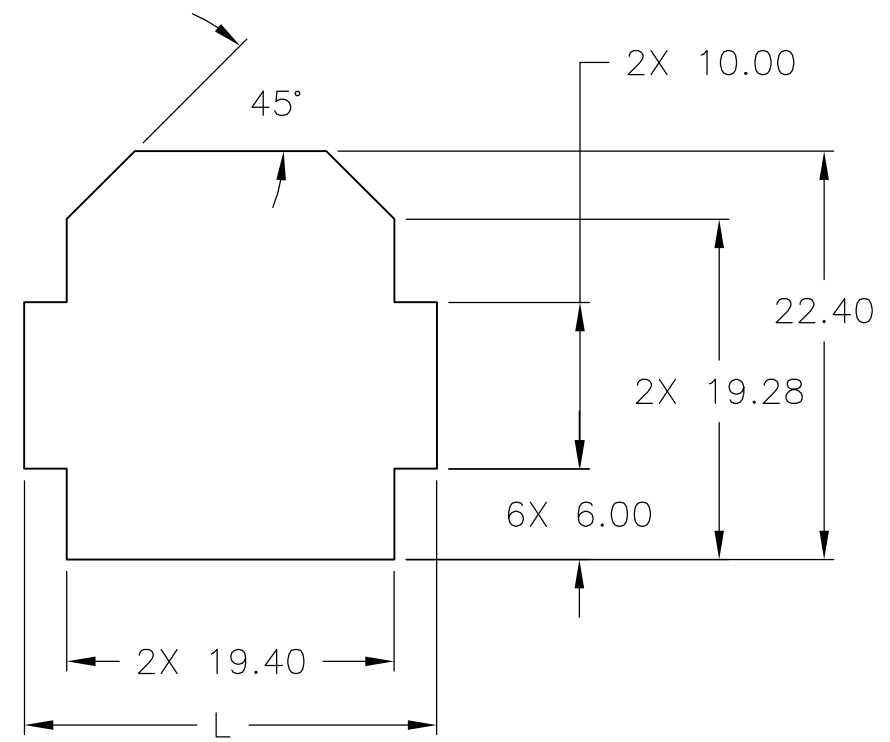


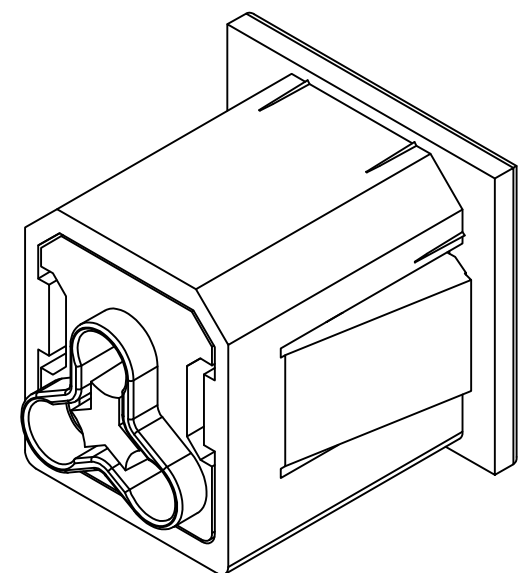
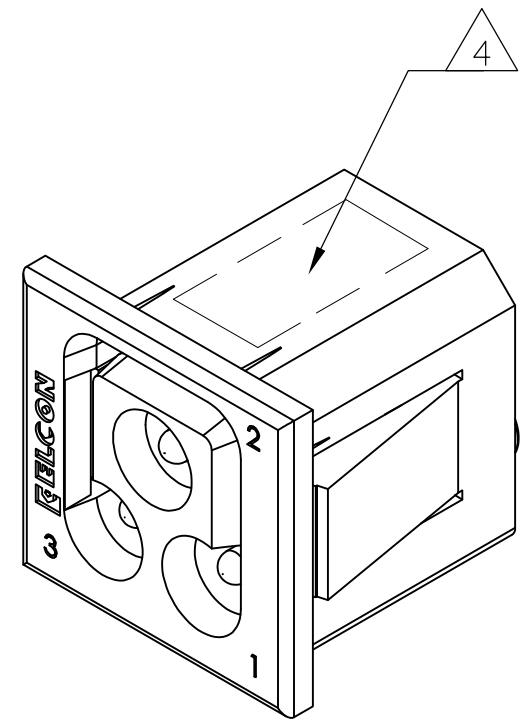
THIS DRAWING IS UNPUBLISHED. RELEASED FOR PUBLICATION
 © COPYRIGHT BY TYCO ELECTRONICS CORPORATION. ALL RIGHTS RESERVED.

LOC		DIST		REVISIONS					
GP		00		P	LTR	DESCRIPTION	DATE	DWN	APVD
					A	NEW RELEASE	20APR07	RG	SF



SUGGESTED PANEL CUT-OUT

1.6 +/-0.11mm	22.87 +0.2/-0
1.2 +/-0.08mm	21.67 +0.2/-0
1.0 +/-0.08mm	20.74 +0.2/-0
0.8 +/-0.07mm	19.82 +0.2/-0
PANEL THICKNESS	L



- PART NUMBER CHANGES AND OR DESIGN CHANGES AFFECTING ITEM INTERCHANGEABILITY REQUIRE PRIOR TYCO APPROVAL AND AUTHORIZATION BY REVISION TO THIS DRAWING.
- MATERIALS:
 INSULATORS: THERMOPLASTIC, GLASS REINFORCED, COLOR-BLACK UL94V-0 FLAMMABILITY RATED.
 CONTACTS: COPPER ALLOY
- FINISH:
 CONTACT: SELECTIVELY GOLD PLATE 0.00025 MIN THK. OVER NICKEL 0.00127 THK.
- ITEMS PROVIDED TO THIS SPECIFICATION TO BE PERMANENTLY IDENTIFIED PER THE FOLLOWING IDENTIFIER:

YEAR | WEEK
 TYCO PART NO. | DATE CODE (e.g. 0325)
 XXXXXX-X | XXXX

- PIN CONNECTOR MATES WITH TYCO P/N 1651701-1
- PIN FRONT, REAR HOUSINGS AND PIN CONTACTS TO BE PACKAGED SEPARATELY AND SHIPPED LOOSE.

THIS DRAWING IS A CONTROLLED DOCUMENT.		DWN R.GRZYBOWSKI 20APR2007	Tyco Electronics Corporation Harrisburg, PA 17105-3608													
DIMENSIONS: mm		CHK S.FLICKINGER 20APR07	NAME													
TOLERANCES UNLESS OTHERWISE SPECIFIED:		APVD S.FLICKINGER 20APR07	PIN CONNECTOR, PANEL DISCONNECT SIZE No. 12 X 3, CRIMP STYLE													
<table border="1"> <tr><td>0 PLC</td><td>± -</td></tr> <tr><td>1 PLC</td><td>± .5</td></tr> <tr><td>2 PLC</td><td>± .25</td></tr> <tr><td>3 PLC</td><td>± -</td></tr> <tr><td>4 PLC</td><td>± -</td></tr> <tr><td>ANGLES</td><td>± -</td></tr> </table>		0 PLC	± -	1 PLC	± .5	2 PLC	± .25	3 PLC	± -	4 PLC	± -	ANGLES	± -	PRODUCT SPEC -	SIZE A3	CAGE CODE 00779
0 PLC	± -															
1 PLC	± .5															
2 PLC	± .25															
3 PLC	± -															
4 PLC	± -															
ANGLES	± -															
MATERIAL -		APPLICATION SPEC -	DRAWING NO C-1651700	RESTRICTED TO -												
FINISH -		WEIGHT -	SCALE 1:1	SHEET 1 OF 3												
CUSTOMER DRAWING			REV A													

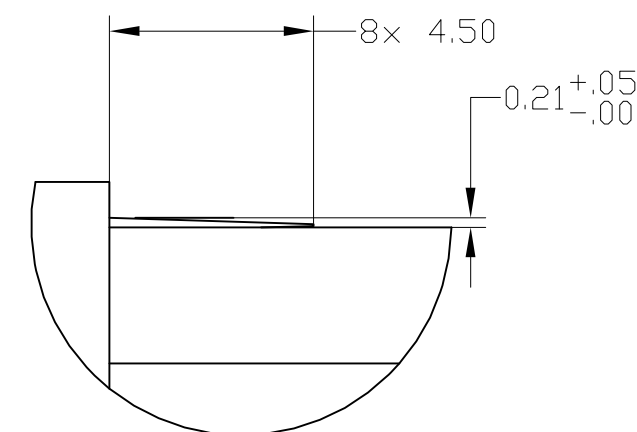
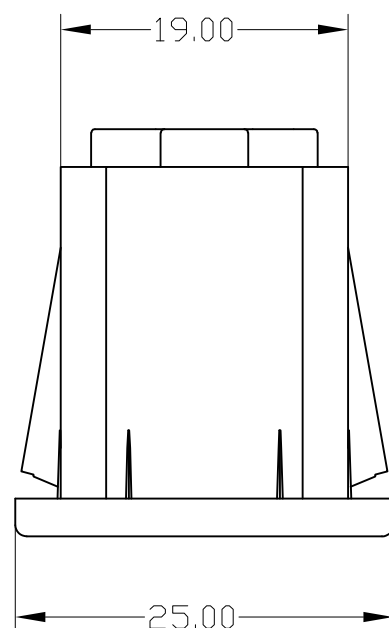
THIS DRAWING IS UNPUBLISHED. RELEASED FOR PUBLICATION

© COPYRIGHT BY TYCO ELECTRONICS CORPORATION. ALL RIGHTS RESERVED.

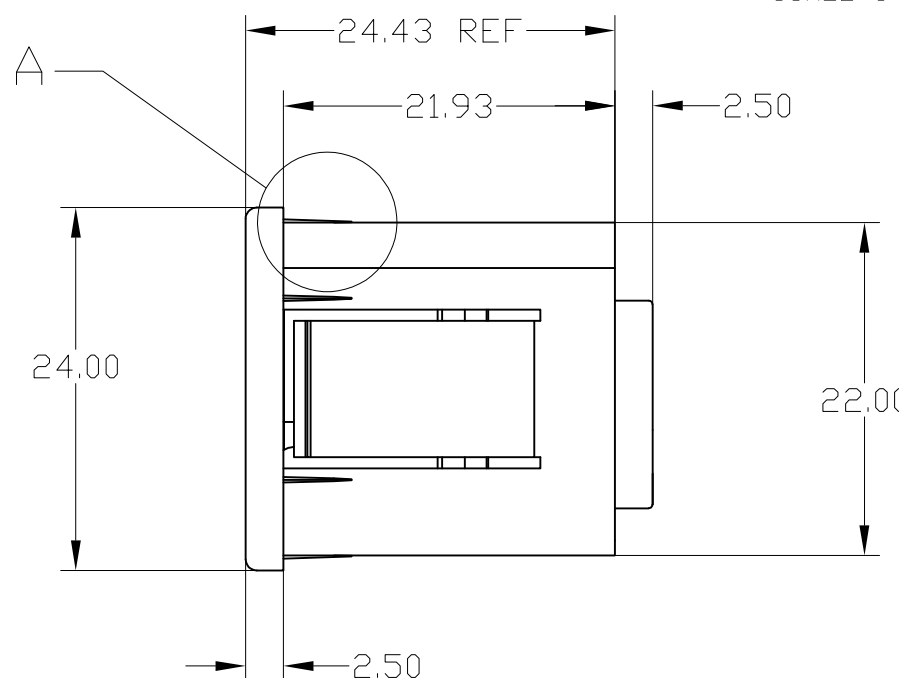
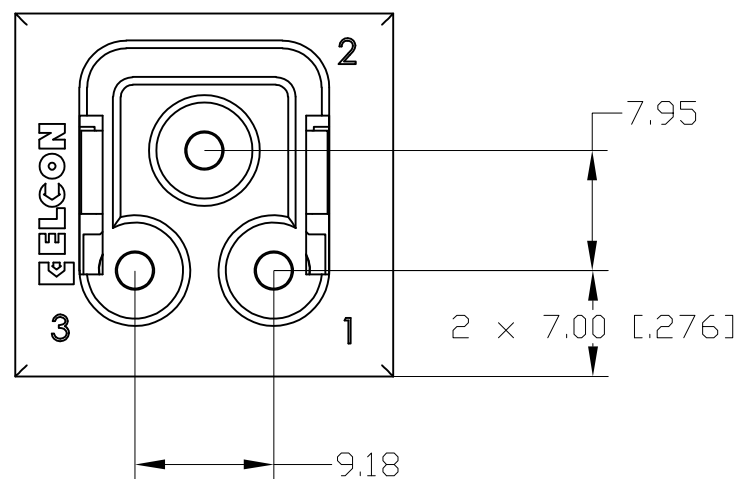
LOC GP DIST 00

REVISIONS

P	LTR	DESCRIPTION	DATE	DWN	APVD
-	-	SEE SHEET 1	-	-	-



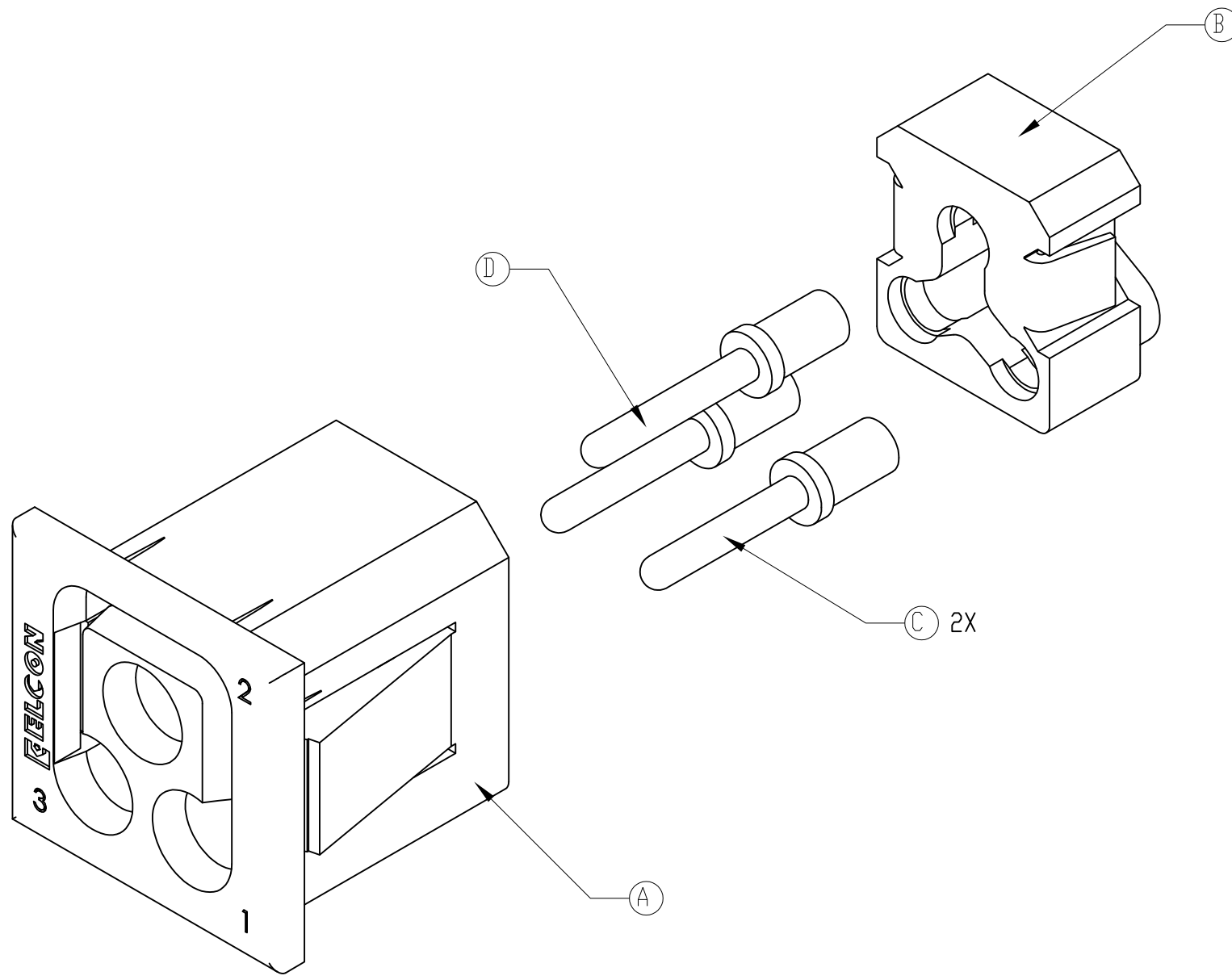
DETAIL A
SCALE 6 : 1



THIS DRAWING IS A CONTROLLED DOCUMENT.		DWN R.GRZYBOWSKI 20APR2007	Tyco Electronics Corporation Harrisburg, PA 17105-3608		
DIMENSIONS: mm		CHK S.FLICKINGER 20APR07	NAME PIN CONNECTOR, PANEL DISCONNECT SIZE No. 12 X 3, CRIMP STYLE		
TOLERANCES UNLESS OTHERWISE SPECIFIED:		APVD S.FLICKINGER 20APR07	PRODUCT SPEC -		
0 PLC ± -		APPLICATION SPEC -	SIZE A3	CAGE CODE 00779	DRAWING NO C-1651700
1 PLC ± .5		WEIGHT -	RESTRICTED TO -		
2 PLC ± .25		MATERIAL -	CUSTOMER DRAWING		
3 PLC ± -			SCALE 1:1	SHEET 2 OF 3	REV A
4 PLC ± -		FINISH -			
ANGLES ± -					

THIS DRAWING IS UNPUBLISHED. RELEASED FOR PUBLICATION
 © COPYRIGHT - BY TYCO ELECTRONICS CORPORATION. ALL RIGHTS RESERVED.

LOC	DIST	REVISIONS			
P	LTR	DESCRIPTION	DATE	DWN	APVD
GP	00	SEE SHEET 1	-	-	-



QTY	PART NUMBER	DESCRIPTION	ITEM
1	1650156-2	CONTACT, No. 12 PIN, CRIMP, PRE-MATE	D
2	1650153-2	CONTACT, No. 12 PIN, CRIMP	C
1	-	HOUSING, REAR INSERT INSULATOR	B
1	-	HOUSING, FRONT, PIN INSULATOR	A

THIS DRAWING IS A CONTROLLED DOCUMENT.		DWN R.GRZYBOWSKI 20APR2007	Tyco Electronics Corporation Harrisburg, PA 17105-3608												
DIMENSIONS: mm		CHK S.FLICKINGER 20APR07	NAME PIN CONNECTOR, PANEL DISCONNECT SIZE No. 12 X 3, CRIMP STYLE												
TOLERANCES UNLESS OTHERWISE SPECIFIED:		APVD S.FLICKINGER 20APR07	PRODUCT SPEC -												
<table border="0"> <tr><td>0 PLC</td><td>± -</td></tr> <tr><td>1 PLC</td><td>± .5</td></tr> <tr><td>2 PLC</td><td>± .25</td></tr> <tr><td>3 PLC</td><td>± -</td></tr> <tr><td>4 PLC</td><td>± -</td></tr> <tr><td>ANGLES</td><td>± -</td></tr> </table>		0 PLC	± -	1 PLC	± .5	2 PLC	± .25	3 PLC	± -	4 PLC	± -	ANGLES	± -	APPLICATION SPEC -	
0 PLC	± -														
1 PLC	± .5														
2 PLC	± .25														
3 PLC	± -														
4 PLC	± -														
ANGLES	± -														
MATERIAL -	FINISH -	WEIGHT -	SIZE A3	CAGE CODE 00779											
CUSTOMER DRAWING			DRAWING NO C-1651700	RESTRICTED TO -											
		SCALE 1:1	SHEET 3 OF 3	REV A											