

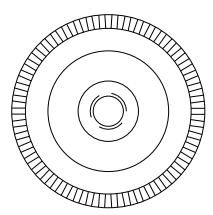
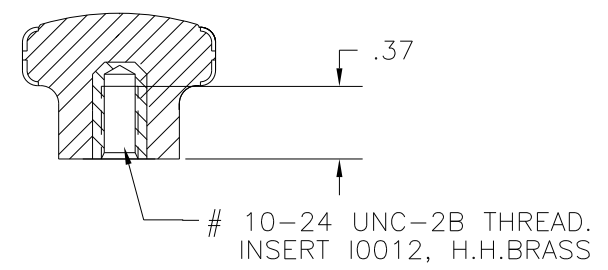
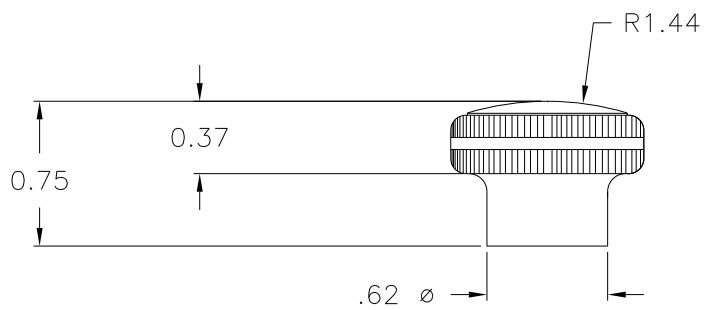
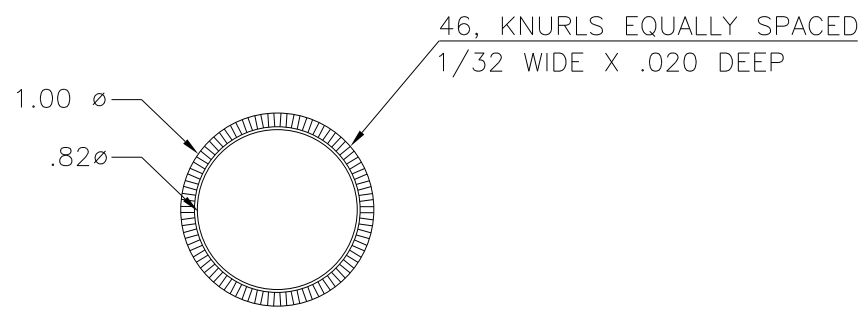
PART NAME: KNOB      SCALE: 1:1      DATE: 6/24/75      DR. BY NH

THIS DRAWING IS THE PROPERTY OF DAVIES MOLDING COMPANY, IS SUBMITTED SOLELY AS A DESIGN OR ENGINEERING PROJECT. WE ACCEPT NO RESPONSIBILITY WHATSOEVER FOR THE PRACTICAL APPLICATION OF THE PIECES MADE TO THIS DESIGN.



DESIGNERS & MANUFACTURERS OF KNOBS, HANDLES, CASES & CUSTOM PLASTIC COMPONENTS

P/N	3065-C
M NO.	1475
CAVITY	3065
PLUNGER	3065
PINS	2965-BW
SPACER	3065
SHIMS	1(.250)THK.
INSERT	I0012
PLUNGER KEY	1/4x1/4x7/16
CAVITY KEY	1/4x1/4x1/2



MATERIAL: G.P. PHENOLIC (B11)  
COLOR: BLACK

TOLERANCES: UNLESS OTHERWISE SPECIFIED	DO NOT SCALE DRAWING			
DECIMALS: X.XXX $\pm$ .005 X.XX $\pm$ .015	MM: X.XX $\pm$ 0.15MM X.X $\pm$ 0.4MM	-	UPDATED DWG. W/ ADDED TOL. BLOCK	HD 12/20/96
FRACTIONS $\pm$ 1/64	ANG. $\pm$ 1°	-	CAD/REDRAWN	HD 6/24/94
CHANGES				