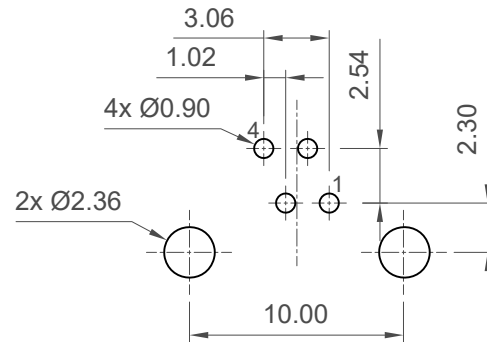
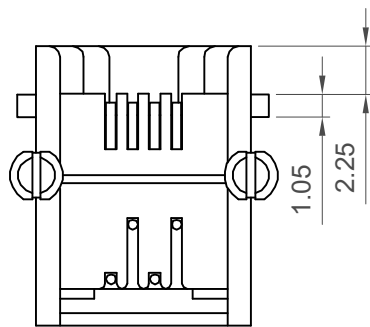
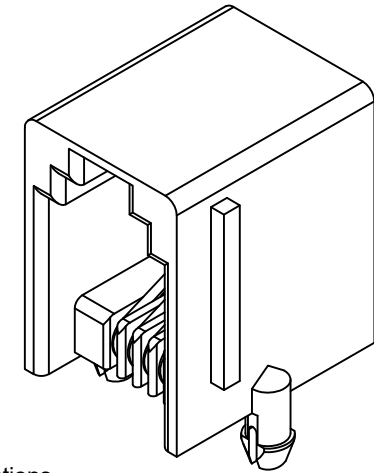


Section: A-A



Recommended PCB Layout
Tolerance : ±0.05mm
Thickness: 1.60mm



Specifications

Material

Insulator: PBT,UL 94V-0, Black

Contact: Phosphor Bronze,Ø=0.46mm

Plating

See Ordering Grid

Electrical

Current Rating : 1.5 Amp

Current Voltage : 150V AC RMS

Contact Resistance : 20 mΩ max.

Insulation Resistance: 1000 MΩ min.@500V DC

Dielectric Withstand Voltage :

1000V AC/DC Peak Between Terminal to Terminal

Mechanical & Environmental

Storage Temperature : -40°C to +85°C,

Relative Humidity <80%

Operation Temperature : -40°C to +85°C

Operating Life : 750 Cycles Min.

Mating/Unmating Force: 30N Max.

Retention Strength: 50N for 60s±5s

Wave Soldering Temperature:245°C ± 5°C, 5s

Ordering Grid

MJ3250 = 44 = 0

No. of Positions/
Positions Loaded
44 = 4/4

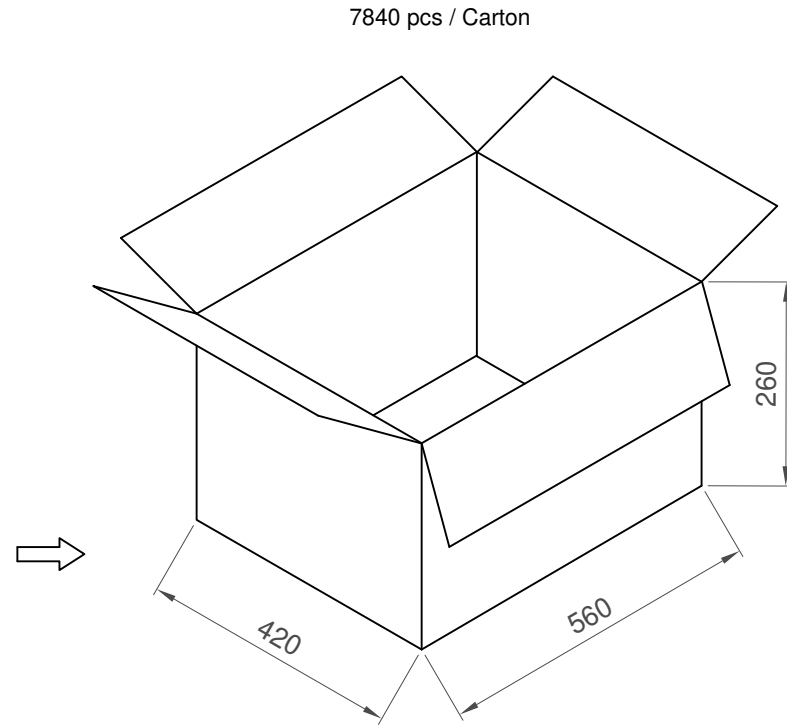
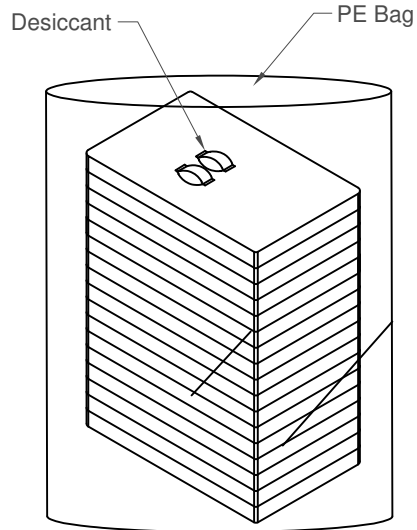
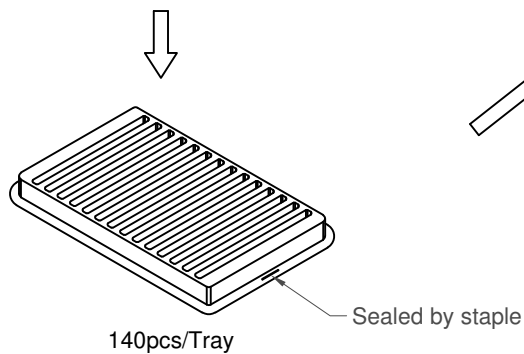
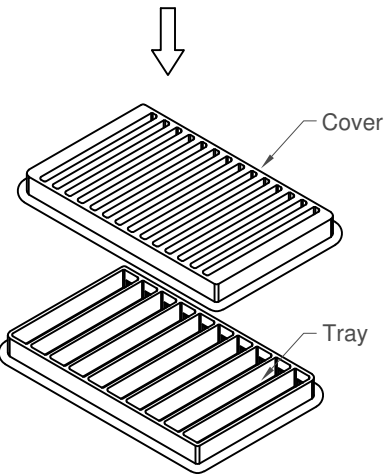
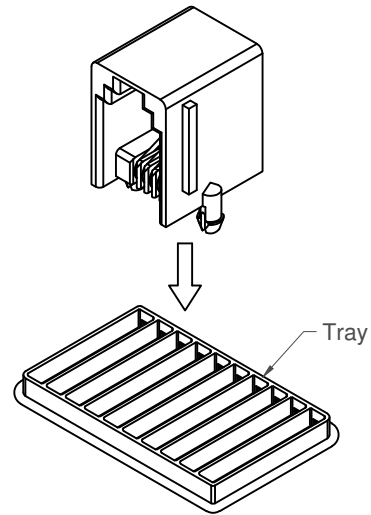
Contact Plating
0 = Gold Flash

| | | | | |
|--------------|-----------------|---|-------------|--|
| Part Number | | Product Description | | |
| MJ3250-44 | | Modular Jack Connector, 4 Position, Right Angle, Through Hole, Inverted Latch | | |
| Drawing Date | | 9th April 2021 | | |
| By | CC | Tolerances (Except as Noted) | Units: | |
| Detail | Drawing Release | Length | Metric (mm) | |
| Revision | A | X.X ± 0.20 | | |
| Date | 09/04/21 | X.XX ± 0.15 | | |
| | | X.XXX ± 0.10 | ± 1° | |




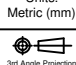


This drawing is confidential and copyright of Global Connector Technology, Ltd (GCT). This drawing must not be copied or disclosed without written consent. E & OE

| | | |
|--------------|----------------|------------------|
| Not to Scale | Drawn By CC | Sheet No. 1/2 |
|--------------|----------------|------------------|



| Pcs/Tray | Trays/Carton | Total Quantity |
|----------|--------------|----------------|
| 140 | 56 | 7840 pcs |

| | | | | |
|--------------|-----------------|--|--------------|--|
| Part Number | | Product Description | |  www.gct.co |
| MJ3250-44 | | Modular Jack Connector, 4 Position, Right Angle, Through Hole, Inverted Latch | | |
| Drawing Date | | 9th April 2021 | | |
| By | CC | Tolerances (Except as Noted) | Units: |   This drawing is confidential and copyright of Global Connector Technology, Ltd (GCT). This drawing must not be copied or disclosed without written consent. E & OE |
| Detail | Drawing Release | Length | Angle | |
| Revision | A | X.X ± 0.20 | ± 1° | |
| Date | 09/04/21 | X.XX ± 0.15 | X.XXX ± 0.10 | |
| | |  3rd Angle Projection | | Not to Scale Drawn By CC |
| | | | | Sheet No. 2/2 |