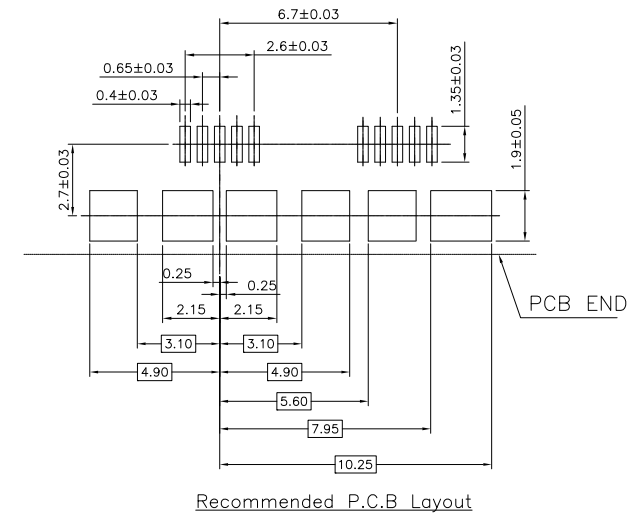


Specifications:
 1.8A for VBUS and GND Contacts
 0.25A for all other Contacts
 Contact resistance:30mohm max.
 Insulation resistance:100Mohm min.
 Withstanding Voltage:100V R.M.S
 Operating Temperature:-40°C ~ +105°C

Material and Finish
 Insulator:LCP(UL94V-0)
 Insulator Color:Black
 Contact:Phosphor Bronze
 Plated:15u" Gold Plated on Contact Area,
 Tin Plated on Solder Tail
 Shell:Brass, Nickel Plated



RoHS Compliant

				DRAWN:	GENERAL TOLERANCE: .X=±0.3 .XX=±0.25 .XXX=±0.10	CnC Tech Industrial Cable and Connector Technology	
				CHECKED:	UNIT: MM SCALE:1:1		DESCRIPTION: MICRO USB 3.0 B TYPE SMD,15u"
				APPROVAL:	SHEET: 1 / 2	PART NO: 1003-005-22100-TR	
REV	DATE	FILE	BY		PROJECTION:		

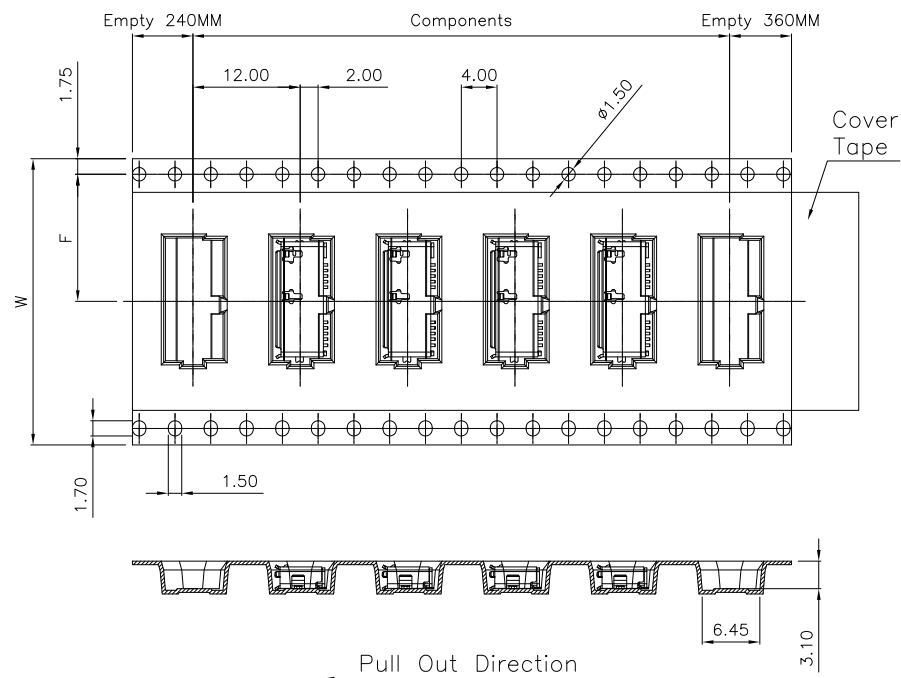
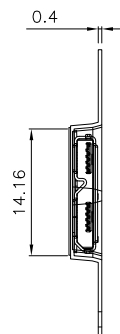
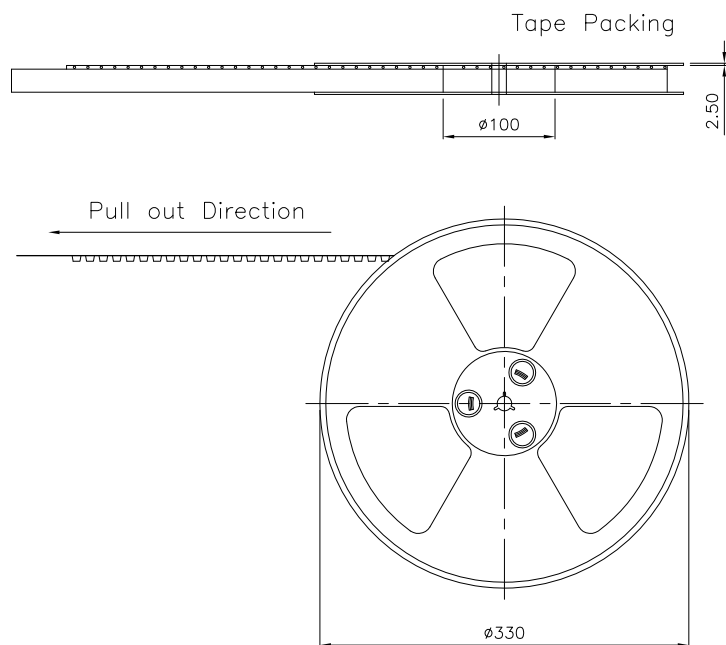
1

2

3

4

5



Pin No	W	F	PCS/R	R/CTN	Q'TY
10	32	14.2	1,500	10	15,000

Note:

- 1.All dimensions meet EIA-481-3 Requirements.
- 2.Material:PS Transparent Polystyrene
- 3.Thickness:0.40±0.05mm
- 4.Component load per 13" reel:1500Pcs.
- 5.Carton Size:340*340*205(mm)

RoHS Compliant

				DRAWN:	GENERAL TOLERANCE: .X=±0.20 .XX=±0.15	CnC Tech Industrial Cable and Connector Technology	DESCRIPTION: MICRO USB 3.0 B TYPE SMD,15u"	SIZE A4
				CHECKED:	UNIT: MM SCALE:1:1			
				APPROVAL:	SHEET: 2 / 2	PART NO:	1003-005-22100-TR	
REV	DATE	FILE	BY		PROJECTION:			