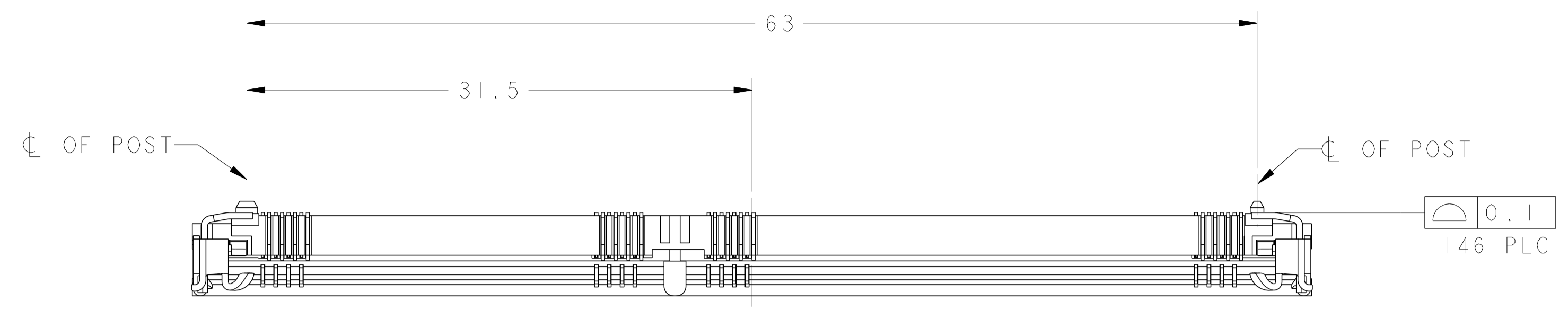
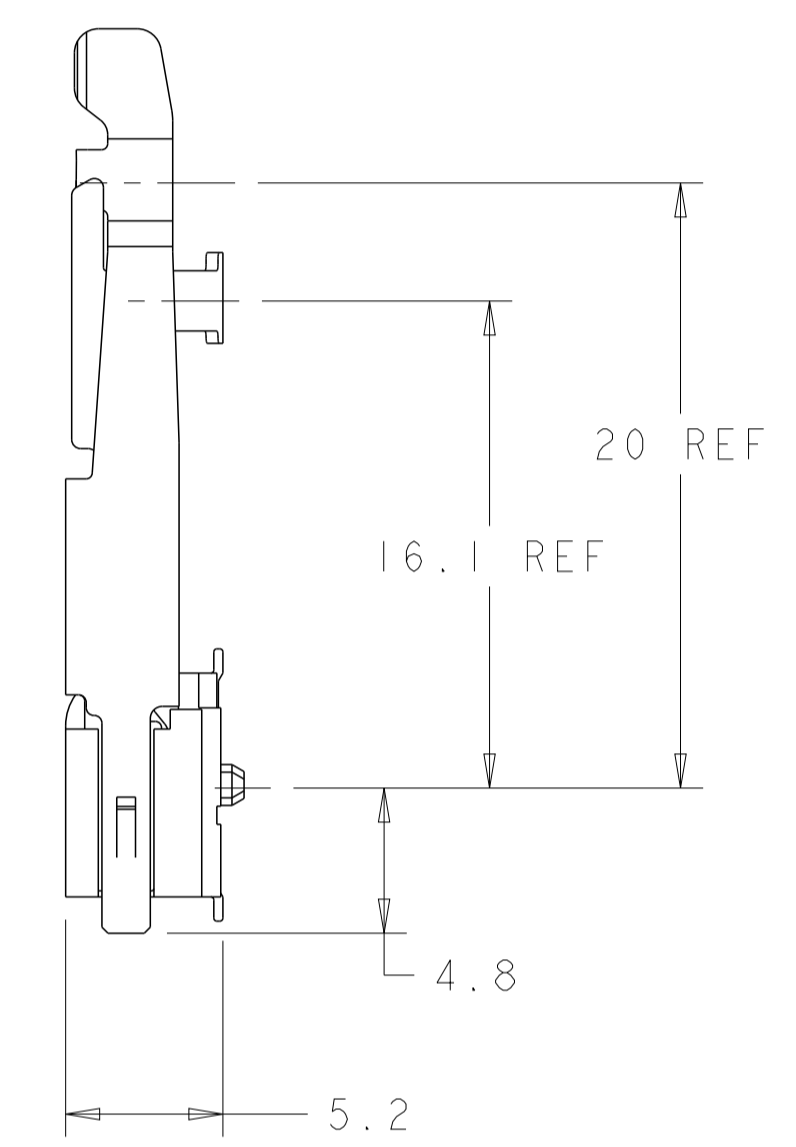
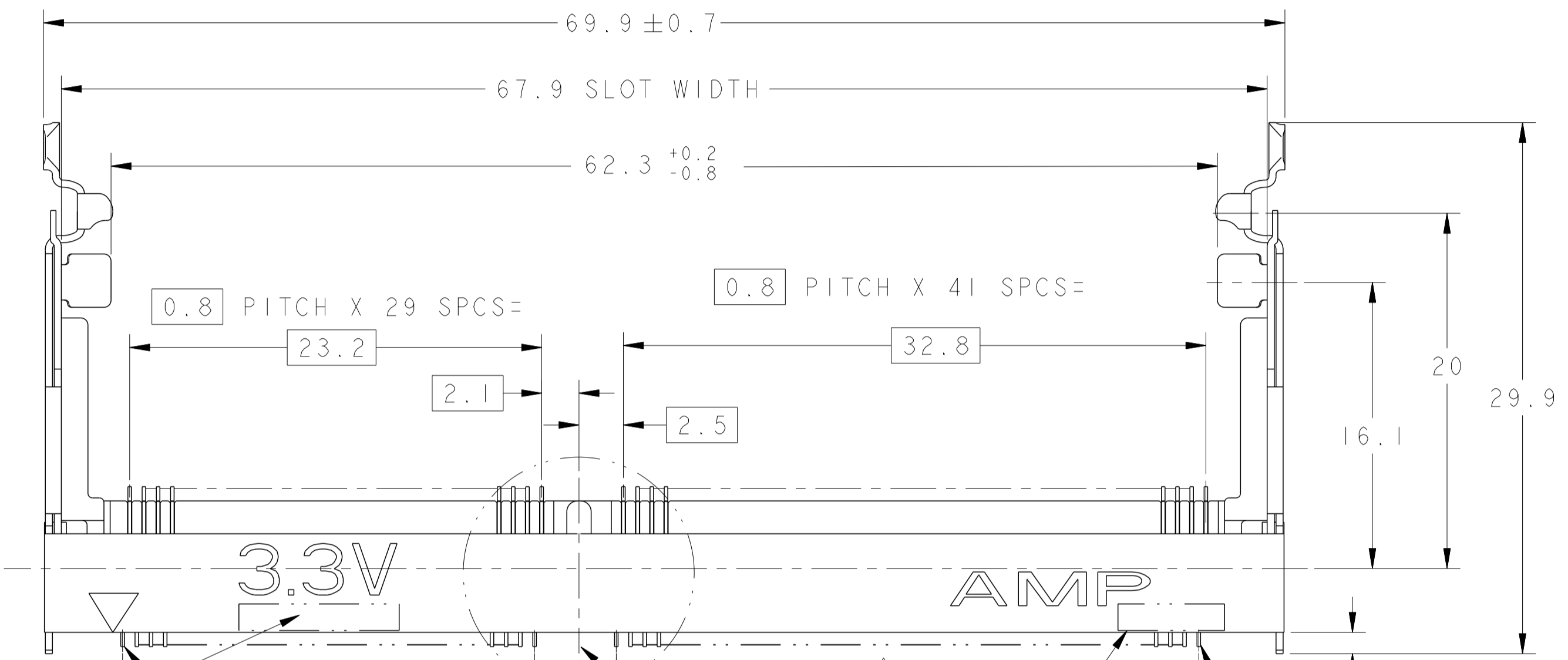


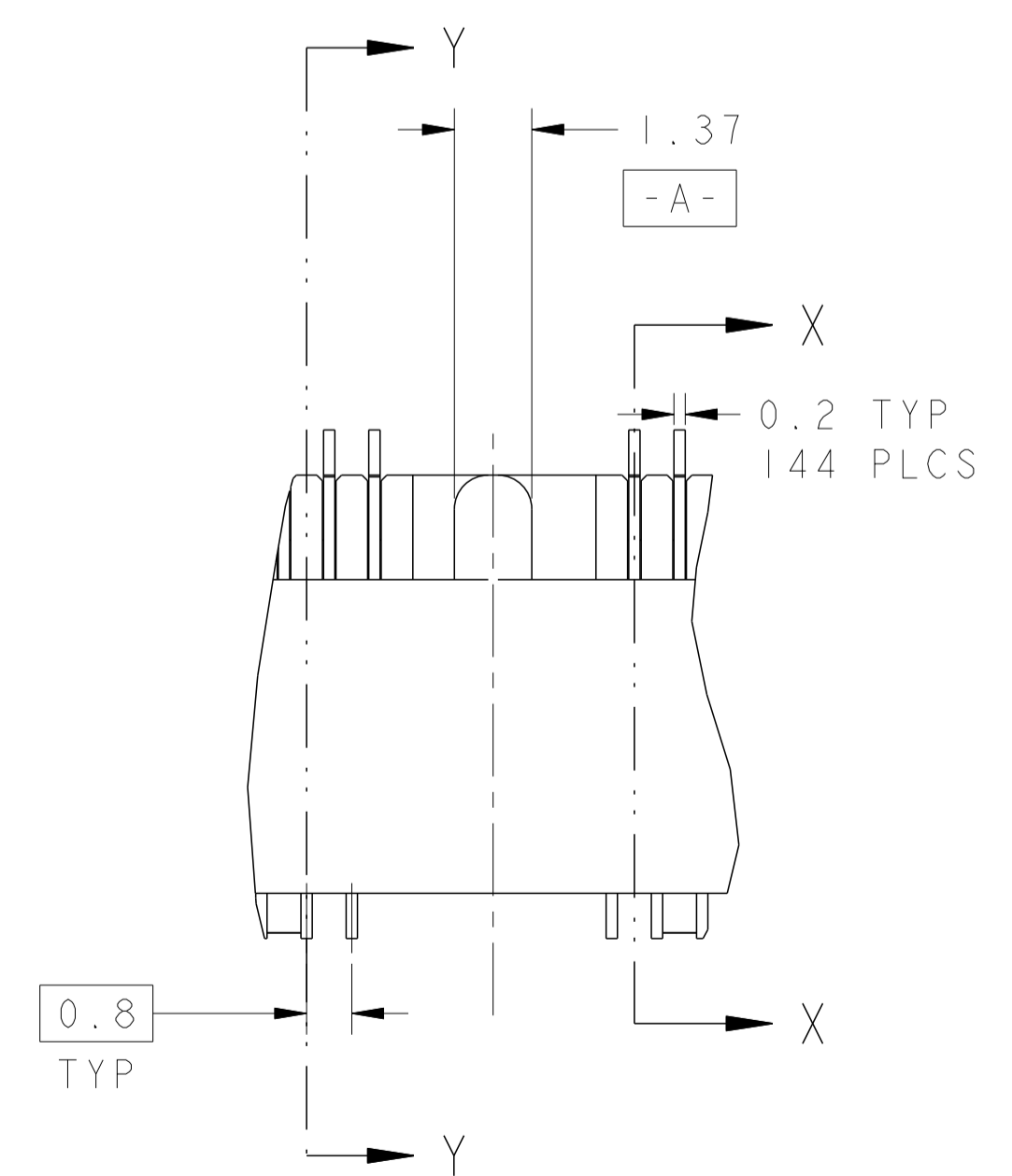
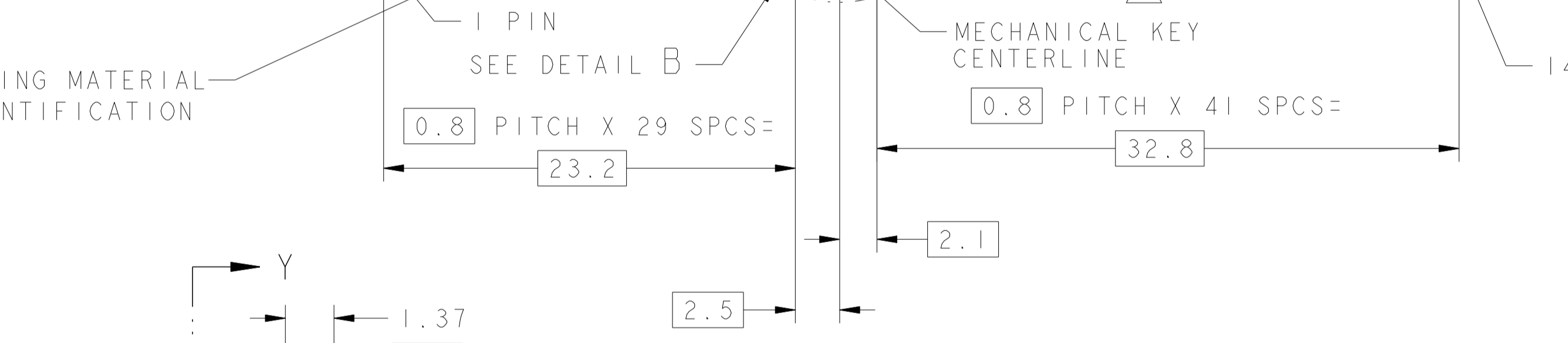
LOC		DIST		REVISONS			
NO	DATE	BY	CHK	DESCRIPTION	DATE	BY	CHK
1							
2							
3							
4							
5							
6							
7							
8							
9							
10							
11							
12							
13							
14							
15							
16							
17							
18							
19							
20							
21							
22							
23							
24							
25							
26							
27							
28							
29							
30							
31							
32							
33							
34							
35							
36							
37							
38							
39							
40							
41							
42							
43							
44							
45							
46							
47							
48							
49							
50							
51							
52							
53							
54							
55							
56							
57							
58							
59							
60							
61							
62							
63							
64							
65							
66							
67							
68							
69							
70							
71							
72							
73							
74							
75							
76							
77							
78							
79							
80							
81							
82							
83							
84							
85							
86							
87							
88							
89							
90							
91							
92							
93							
94							
95							
96							
97							
98							
99							
100							



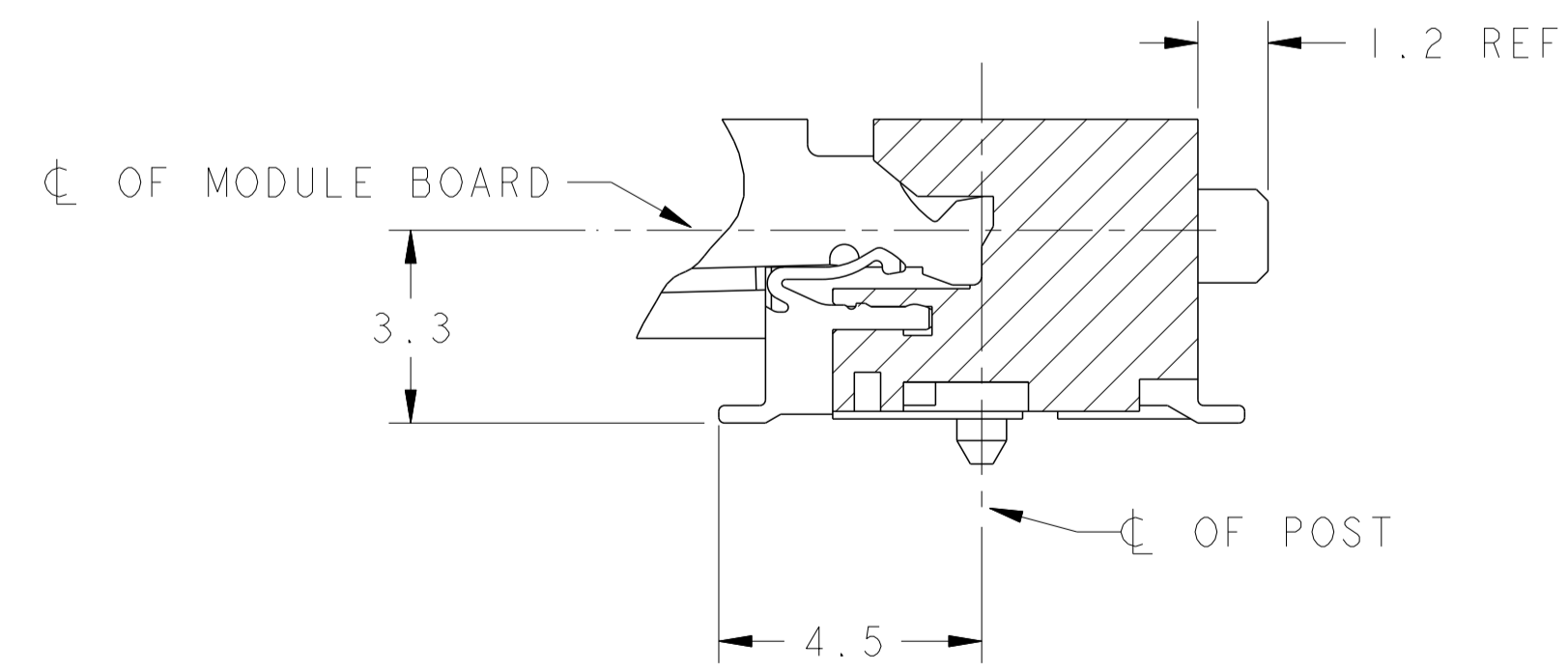
- 1 MATERIAL, HOUSING, HIGH TEMPERATURE PLASTIC, UL94V-0, NAT. CONTACT: COPPER ALLOY LATCH: SUS301 STAINLESS STEEL PLATING.
- 2 FINISH; CONTACT AREA: 0.00076 MIN GOLD PLATE ON 0.001 MIN ALL OVER NICKEL SOLDERING AREA: 0.00005 MIN TO 0.00030 MAX GOLD PLATE
- 3. TOLERANCES NON-ACCUMULATIVE.
- 4. PART PACKAGED PER EIA-18704 STANDARD. REEL DIAMETER SHALL BE 330mm. TAPE WIDTH SHALL BE 88mm AND TAPE PITCH SHALL BE 36mm.
- 5 DATE CODE (4-DIGITS), LOCATED AS SHOWN. TO BE INTERPRETED AS FOLLOWS:
 DIGIT # 1 - LAST DIGIT OF YEAR.
 DIGITS # 2 AND # 3 - CALENDAR WEEK.
 DIGIT # 4 - DAY OF THE WEEK (WITH SUNDAYS AS DAY 1).



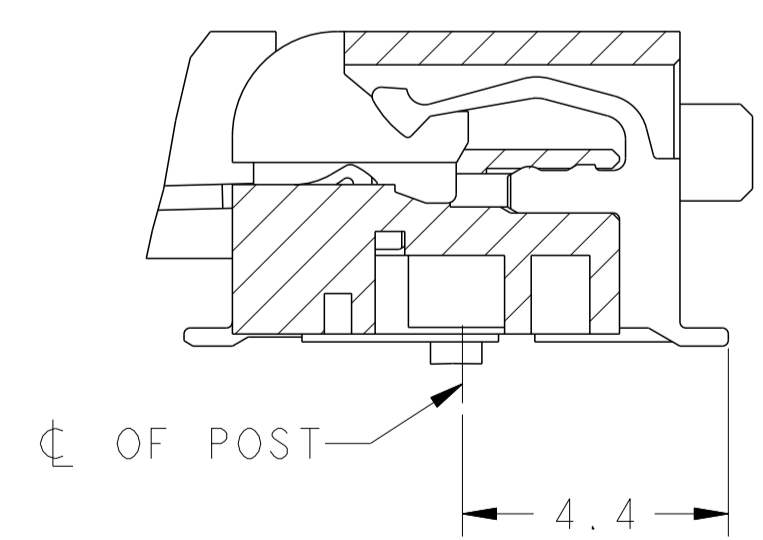
HOUSING MATERIAL IDENTIFICATION



DETAIL B SCALE 8:1



SECTION X-X ROTATED 90° CCW SCALE 8:1

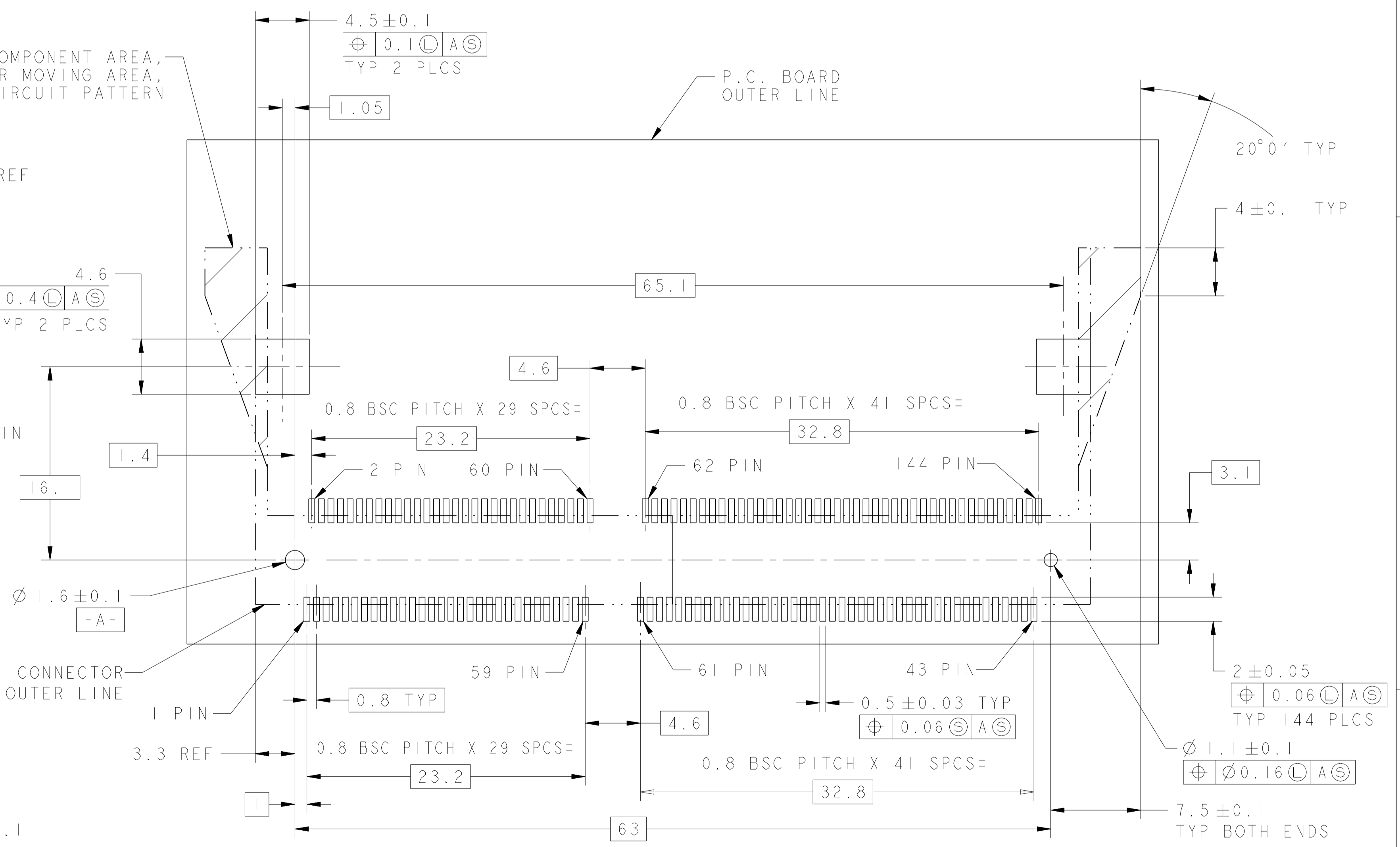
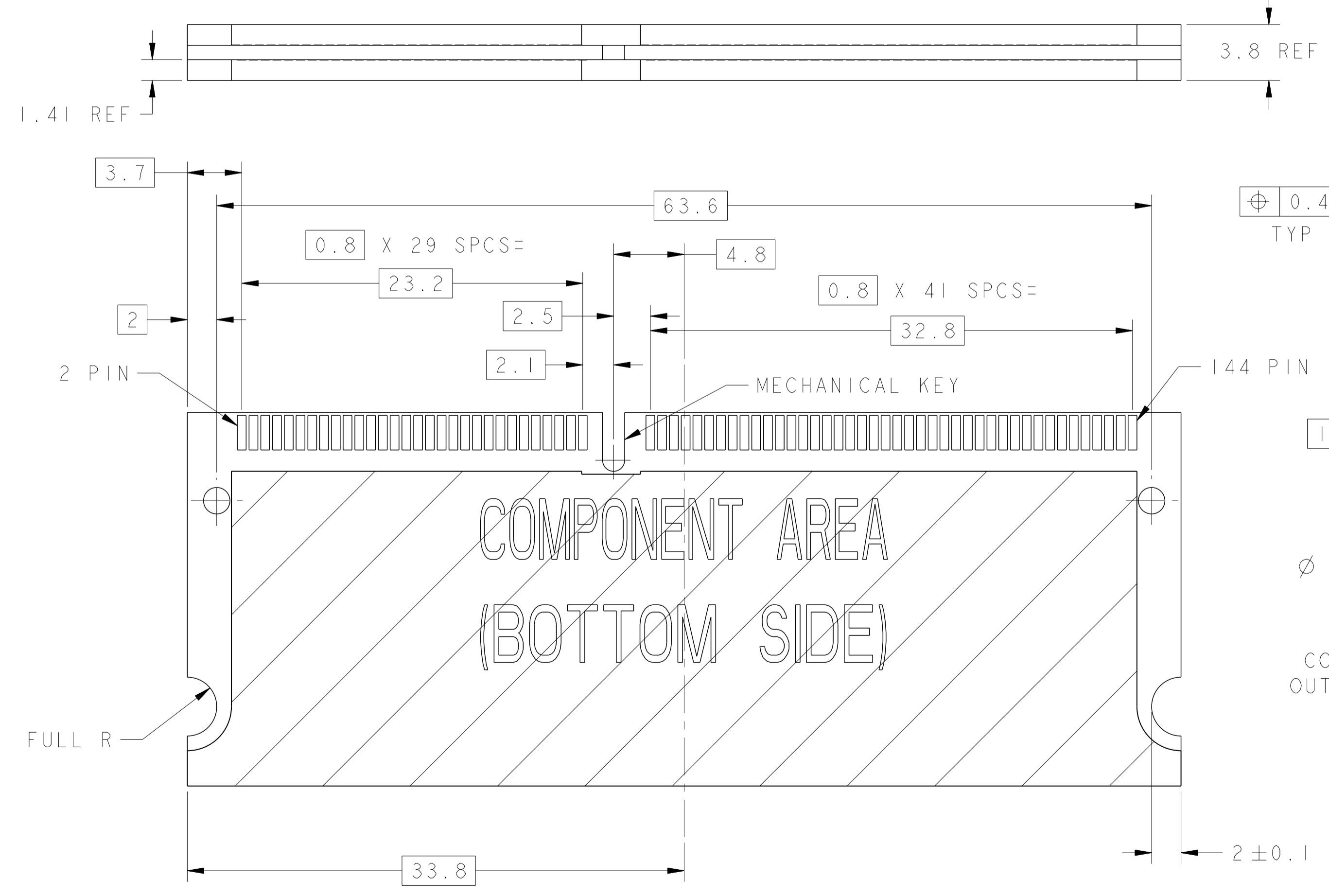
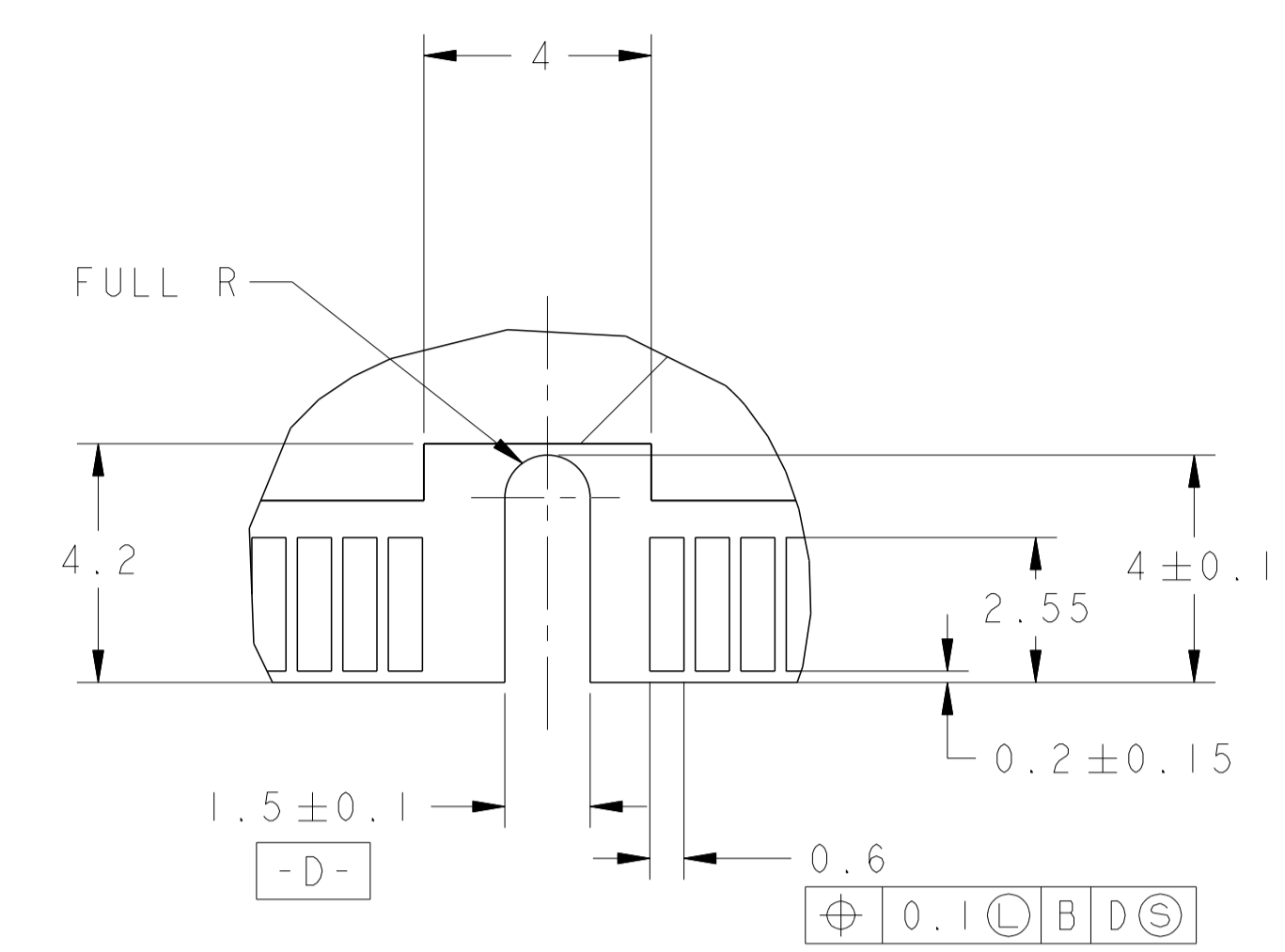
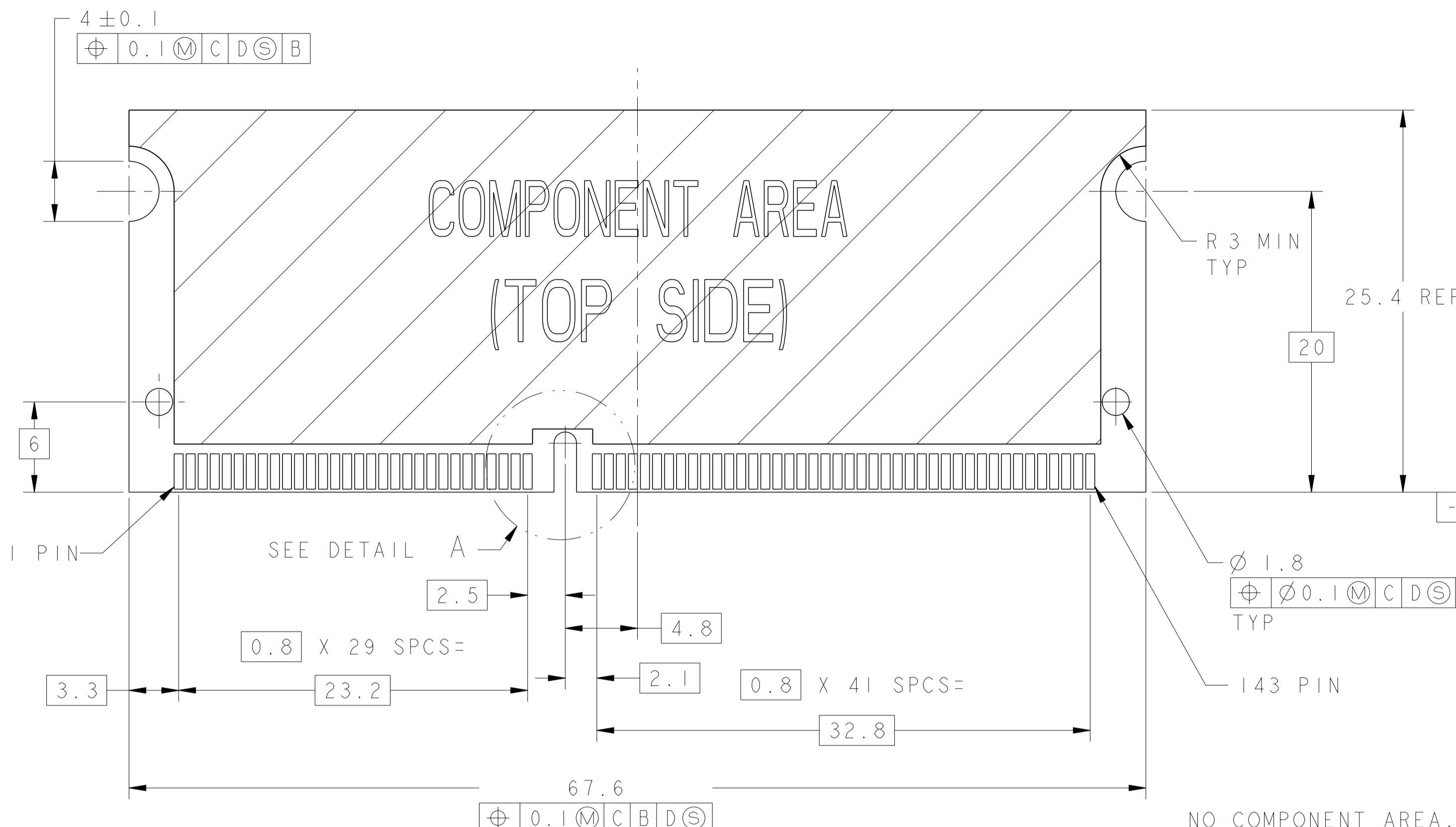


SECTION Y-Y ROTATED 90° CCW SCALE 8:1

AVAILABLE	DRAM 3.3V	144	6-390376-1
REMARKS	POWER SUPPLY	POS	PART NUMBER

<small>THIS DRAWING IS A CONTROLLED DOCUMENT FOR AMP INCORPORATED AND IS SUBJECT TO CHANGE. AMP, THE CONTROL AND ENGINEERING ORGANIZATION SHOULD BE CONTACTED FOR THE LATEST REVISION.</small>		DWN: A. HOLT 25APROO CHK: K. KREIDLER 25APROO	Tyco Electronics TYCO ELECTRONICS SINGAPORE
DIMENSIONS: mm TOLERANCES UNLESS OTHERWISE SPECIFIED: 0 PLC ±0.2 1 PLC ±0.2 2 PLC ±0.2 3 PLC ± 4 PLC ± ANGLES ±	APD: SE LEONG PRODUCT SPEC: 108-1739 APPLICATION SPEC: 114-1114	NAME: S.O.DIMM SOCKET 0.8mm PITCH 3.3V 144 POS, STD PROFILE FOR SDRAM MODULE, 0.00076 GOLD SIZE: A1 CAGE CODE: 00779 DRAWING NO: 390376	RESTRICTED TO: G SCALE: 4:1 SHEET: 1 of 2 REV: G
MATERIAL:		WEIGHT: -	
FINISH:		CUSTOMER DRAWING	

LOC	DIST	REVISIONS		
REV	DATE	DESCRIPTION	BY	APPD
1		SEE SHEET 1		



<small>THIS DRAWING IS A CONTROLLED DOCUMENT FOR AMP INCORPORATED AND IS SUBJECT TO CHANGE. AMP, THE CONTROL AND ENGINEERING ORGANIZATION SHOULD BE CONTACTED FOR THE LATEST REVISION.</small>		DWN: A. HOLT 25APROO CHK: K. KREIDLER 25APROO	TYCO ELECTRONICS SINGAPORE
DIMENSIONS: mm	TOLERANCES UNLESS OTHERWISE SPECIFIED: 0 PLC ±0.2 1 PLC ±0.2 2 PLC ±0.2 3 PLC ± 4 PLC ± ANGLES ±	APD: SE LEONG PRODUCT SPEC: 108-1739 APPLICATION SPEC: 114-1114	NAME: S.O.DIMM SOCKET, 0.8mm PITCH, 3.3V 144 POS, STD PROFILE FOR SDRAM MODULE, 0.00076 GOLD
MATERIAL:	FINISH:	WEIGHT: CAGE CODE: 00779 DRAWING NO: 390376	RESTRICTED TO: SCALE: 4:1 SHEET: 2 OF 2 REV: G