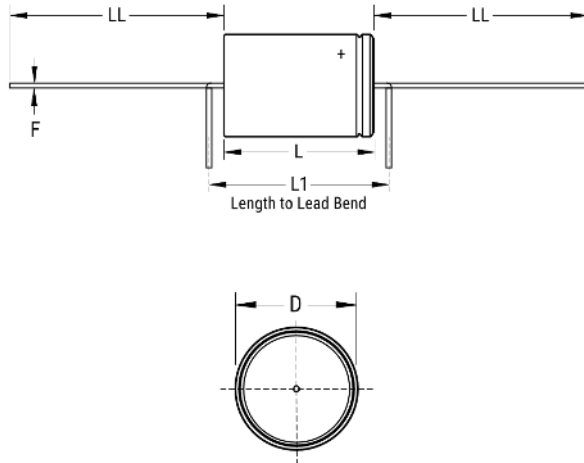


PEG130MH3900QL1

Aliases (PEG130MH3900Q)

Obsolete

PEG130, Aluminum Electrolytic, 900 uF, -10/+30%, 63 VDC, -40/+105°C



Click [here](#) for the 3D model.

Dimensions

D	20mm +/-0.5mm
L	29mm +/-1mm
L1	35mm MIN
LL	40mm +/-2mm
F	1mm +/-0.03mm

Packaging Specifications

Sleeving	Yes
Packaging	Bulk, Bag

General Information

Series	PEG130
Dielectric	Aluminum Electrolytic
Style	Axial
Description	Long Life Axial Aluminum Electrolytic
Features	Long Life
RoHS	Yes
Lead	Wire Leads
AEC-Q200	No
Halogen Free	Yes
Component Weight	13 g
Notes	L1 is KEMET's recommendation for minimum distance between symmetrical Lead bend. Available only for Customer specific part numbers. Lead bend dimensions must be specified and confirmed per article. Dimensions D And L Include Sleeving.
Shelf Life	520 Weeks

Specifications

Capacitance	900 uF
Capacitance Tolerance	-10/+30%
Voltage DC	63 VDC
Temperature Range	-40/+105°C
Rated Temperature	105°C
Life	37000 Hrs
Resistance	94 mOhms (100Hz 20C), 39.7 mOhms (100kHz 20C), 25.1 mOhms (5-100kHz 105C)
Ripple Current	1.06 Amps (100Hz 105C), 7.2 Amps (5kHz 60C), 5.9 Amps (5kHz 80C), 3.3 Amps (5kHz 100C), 2.2 Amps (>=5kHz 105C)
Leakage Current	174.1 uA (5min 20°C)

Statements of suitability for certain applications are based on our knowledge of typical operating conditions for such applications, but are not intended to constitute - and we specifically disclaim - any warranty concerning suitability for a specific customer application or use. This Information is intended for use only by customers who have the requisite experience and capability to determine the correct products for their application. Any technical advice inferred from this Information or otherwise provided by us with reference to the use of our products is given gratis, and we assume no obligation or liability for the advice given or results obtained.