

DWG. NO.
SD-501266-001

F

D

V

C

B

DO NOT SCALE DRAWING

8

7

6

5

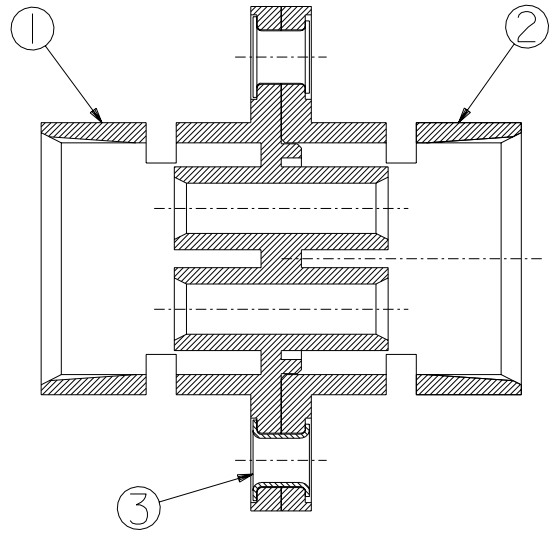
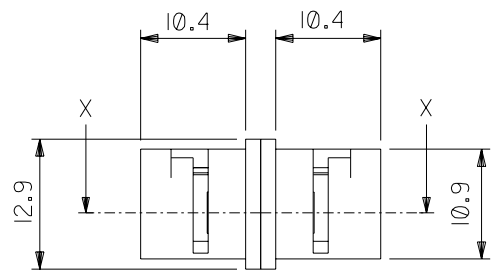
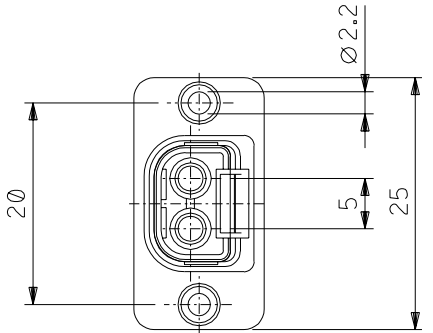
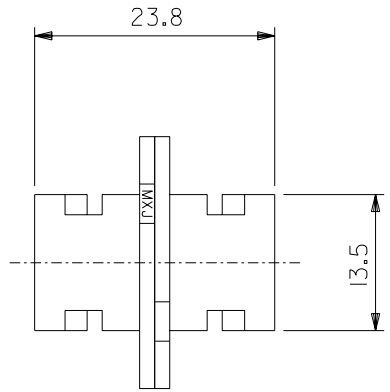
4

3

2

1

NO.	部品名称 PART TITLE	材質 MATERIAL	数量 QT'Y
①	アダプタ パートA ADAPTER PART-A	ポリエステル (ガラス) 入り POLYESTER UL94V-0 (GLE Y)	1
②	アダプタ パートB ADAPTER PART-B	ポリエステル (ガラス) 入り POLYESTER UL94V-0 (GLE Y)	1
③	ハトメ HATOME	黄銅 BRASS	2



SECTION X-X
(SCALE:4-1)

注記
NOTES

- 1. 嵌合プラグ : 501270-0000
MATING PLUG : 501270-0000

501266-0000
MATERIAL NO.
MODEL NO.: 501266-000*

①64NO. DRWN: CHK: APPR:	①63NO. DRWN: CHK: APPR:	①62NO. DRWN: CHK: APPR:	①61NO. DRWN: CHK: APPR:	RELEASED '04/05/28 J2004-4481 TE.NAGASE A.SHIMOTSU A.SHIMOTSU	MATERIAL 材料	GENERAL TOLERANCES: (UNLESS SPECIFIED) 一般公差	SCALE 2-1	DESIGN UNITS mm INCH	DIMENSIONS: <input type="checkbox"/> mm <input type="checkbox"/> INCH <input checked="" type="checkbox"/> mm ONLY	SHT REV				
					SEE NOTES	FINISH 仕上げ	10 UNDER 未満	±0.2			10 OVER 以上	30 UNDER 未満	±0.25	30 OVER 以上
WIRE RANGE 適用線径範囲					ANGLE 角度	±3°	TITLE: NEW SMI CONN. ADAPTER ASS'Y							
INS. RANGE 被覆外径					CAD FILENAME SD-501266-001.S01				MATERIAL NO. SD-501266-001		DRAWING NO. SD-501266-001		SHEET NO. 1 OF 1	
THIS DRAWING CONTAINS INFORMATION THAT IS PROPRIETARY TO MOLEX INCORPORATED AND SHOULD NOT BE USED WITHOUT WRITTEN PERMISSION.											SIZE B			

8

7

6

5

4

3

2

EN-02J(097) MXJ-54